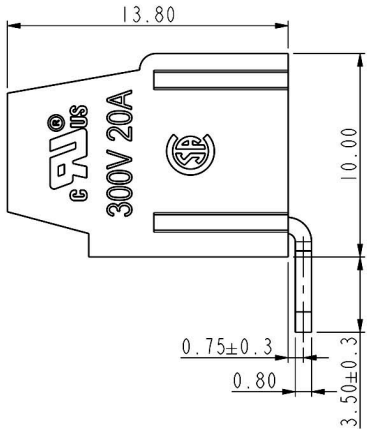
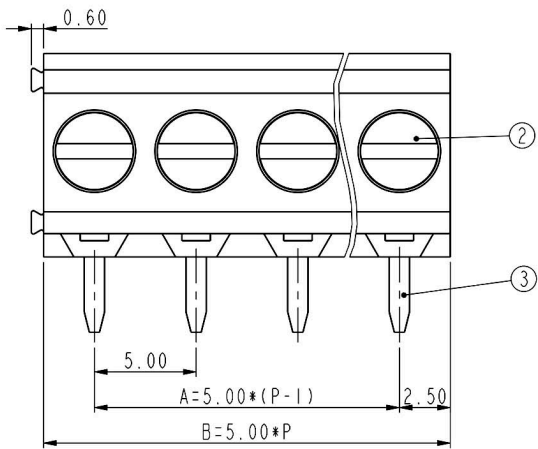
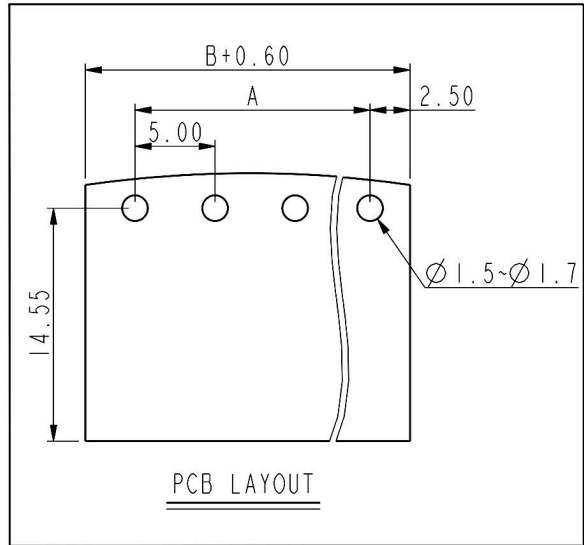
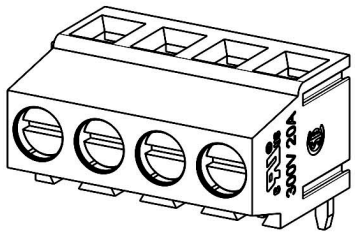


P	2	3	4	5	6	7	8	9
A	5.00	10.00	15.00	20.00	25.00	30.00	35.00	40.00
B	10.00	15.00	20.00	25.00	30.00	35.00	40.00	45.00
P	10	11	12	13	14	15	16	17
A	45.00	50.00	55.00	60.00	65.00	70.00	75.00	80.00
B	50.00	55.00	60.00	65.00	70.00	75.00	80.00	85.00
P	18	19	20	21	22	23	24	
A	85.00	90.00	95.00	100.00	105.00	110.00	115.00	
B	90.00	95.00	100.00	105.00	110.00	115.00	120.00	



4	WIRE CAGE	STEEL	M2.5/ Zn Plated
3	SOLDER PIN	COPPER ALLOY	Tin Plated
2	SCREW	STEEL	M2.5/ Zn Plated
1	HOUSING	PA66	UL94-V0 GREEN
ITEM	NAME OF PART	MATERIAL	NOTES



Total Pitch Tolerances		Normal dimension Tolerances	
0~30	±0.20	0~30	±0.25
over 30~53	±0.25	over 30~53	±0.30
over 53~70	±0.30	over 53~70	±0.35
over 70~90	±0.35	over 70~90	±0.44
over 90~115	±0.44	over 90~115	±0.55
over 115~150	±0.55	over 115~150	±0.70
over 150~200	±0.70	over 150~200	±0.85
over 200~250	±0.85	over 200~250	±1.00
over 250~320	±1.00	over 250~320	±1.20

RoHS Compliant

HSM 玄茂科技股份有限公司
HSUAN MAO TECHNOLOGY CO., LTD.

APPD. 核准	SCALE 比例 参考	TOLERANCE 容許公差 .0 ± 0.30 .00 ± 0.20 ANG. ± 3°	PART NAME 品名 5.0mm TERMINAL BLOCK XXPIN RIGHT ANGLE TYPE H=13.8mm SUITABLE FOR 12~24AWG "- " TYPE SCREW TIN PLATING GREEN COLOR
DWG. 製圖 Betty	UNIT 單位 MM	SIZE 紙張尺寸 A4	
DATE 制表日 2023/08/22	PAGE 張數 1 OF 1	REV. 版次 D	PART NO. 料號 C0928-XXR5TE00R