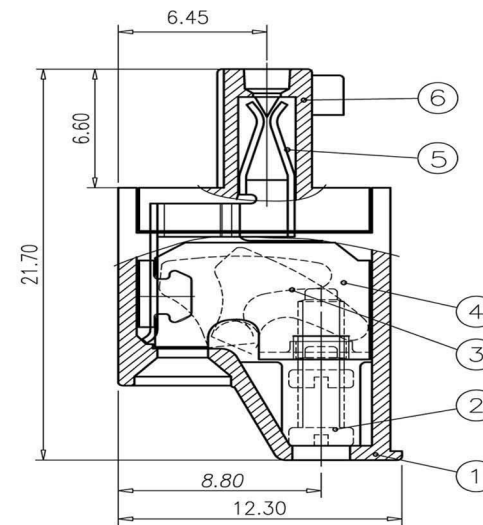
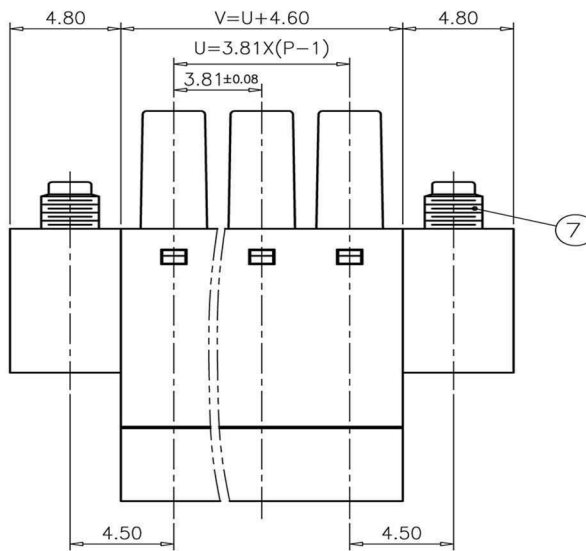
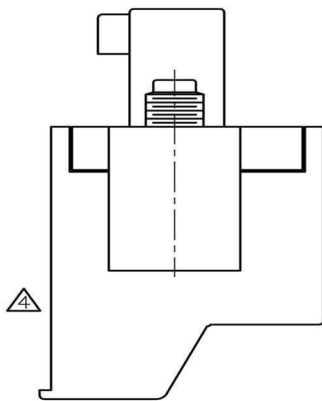


1 2 3 4 5 6 7 8

A
B
C
D
E
F
G
H

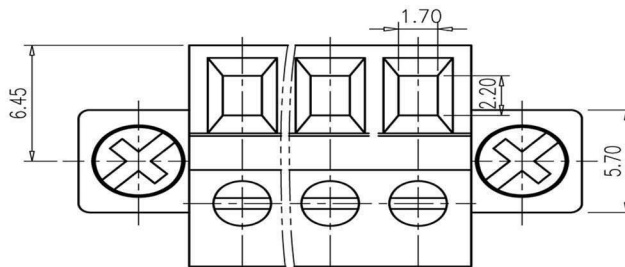
A
B
C
D
E
F
G
H



NOTES:

- 1. Rating: 300V ~~±60V~~ 8 A
PITCH: 3.81 mm
- 2. Insulation Withstands Voltage:
AC 2500V/MIN
- 3. Insulation Resistance:
500MΩ or more at DC500V
- 4. Using Temperature Range:
-40°C~+105°C ~~±2.9~~
- 5. Screw Torque Value: ~~6~~ kgf-cm
- 6. Suitable Electric Wire: AWG 16~30
- 7. Undimensioned Tolerances:

	0.05/10
	0.2/10
PITCH ERROR	0.05/10
UNDIMENSIONS TOLERANCES	±0.3



ITEM	NAME OF PART	Q'TY	MATERIAL	NOTES
7	SCREW	2	steel	M2.5/Zn Plated
6	COVER	1	PA	GREEN
5	SOLDER PIN	P	BRONZE	Ni Plated
4	WIRE-CAGE	P	Steel	Zn Plated
3	CLAMP	P	SPCC	Zn Plated
2	SCREW	P	Steel	Zn Plated
1	HOUSING	1	PA	GREEN

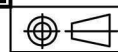
**RoHS
Compliant**

**HSM 玄茂科技股份有限公司
HSUAN MAO TECHNOLOGY CO., LTD.**

APPD. 核准 Lynne

DWG. 製圖 Hedy

DATE 制表日 2007/12/13



SCALE 比例 參考

UNIT 單位 MM

PAGE 張數 1 / 1

TOLERANCE 容許公差
.0 ±
.00 ±
ANG. ±

SIZE 紙張尺寸 A 4

REV. 版次 A

PART NAME 品名
3.81mm TERMINAL BLOCK WIRE CAGE TYPE
SUITABLE FOR 16~30AWG XXP NICKEL PLATED
WITH EAR(SCREW HOLE) GREEN COLOR ROHS

PART NO.
料號 C0925-XXY8NE00R

1 2 3 4 5 6 7 8