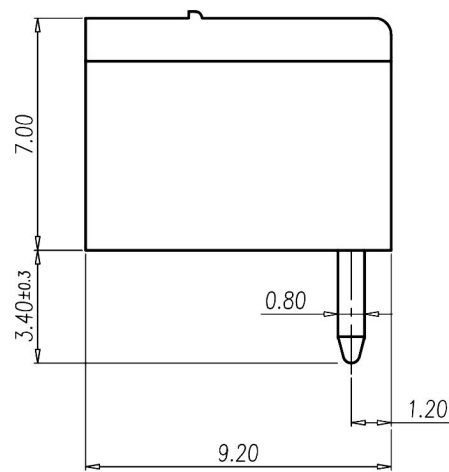
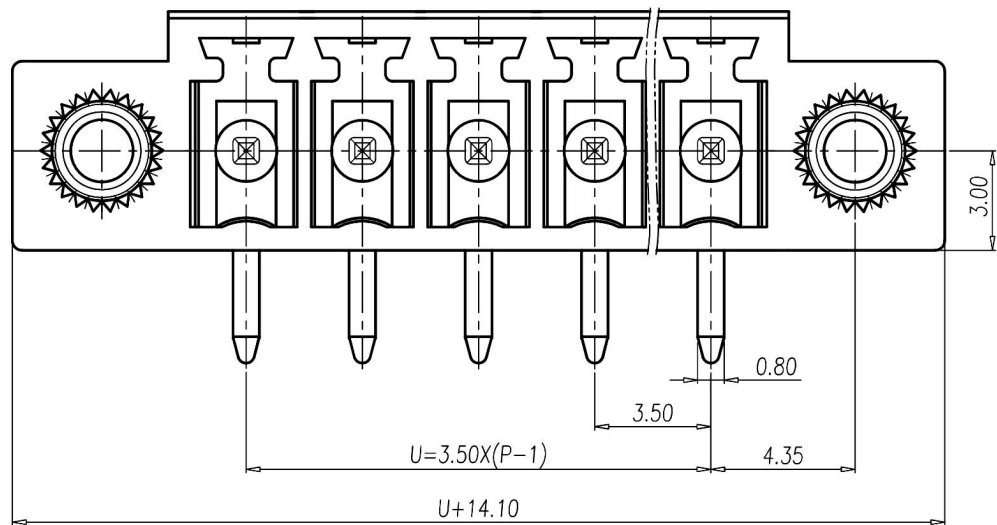
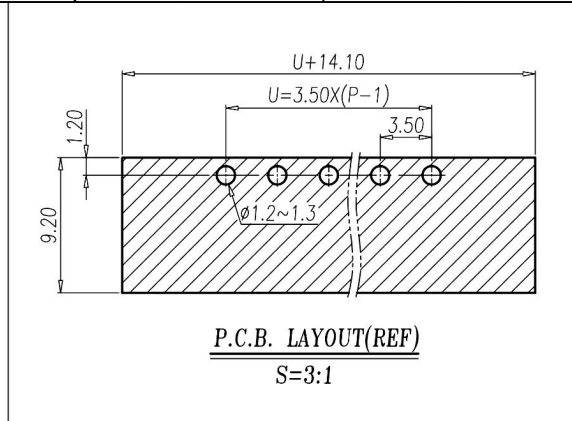


P	2	3	4	5	6	7	8	9
U	3.50	7.00	10.50	14.00	17.50	21.00	24.50	28.00
P	10	11	12	13	14	15	16	17
U	31.50	35.00	38.50	42.00	45.50	49.00	52.50	56.00
P	18	19	20	21	22	23	24	
U	59.50	63.00	66.50	70.00	73.50	77.00	80.50	



NOTES 1:

- UL Standard :
- Rating: 300V 8A
 - Insulation Withstands Voltage: AC 2000V at 1 minute
 - Using Temperature Range: -40°C~+115°C

IEC Standard:

- Rating: 320V 14A
- Rate Impulse Voltage: 2500V
- Insulation Resistance: 500MΩ or more at DC500V
- Material Group : I
- Pollution Degree : 2
- Overvoltage Category: II
- Using Temperature Range: -40°C~+110°C

NOTES 2:

- RoHS compliance
- Flange Torque Max: 0.2N.m

Total Pitch Tolerances		Normal Dimension Tolerances	
0~30	±0.20	0~30	±0.25
over 30~53	±0.25	over 30~53	±0.30
over 53~70	±0.30	over 53~70	±0.35
over 70~90	±0.35	over 70~90	±0.44
over 90~115	±0.44	over 90~115	±0.55
over 115~150	±0.55	over 115~150	±0.70
over 150~200	±0.70	over 150~200	±0.85
over 200~250	±0.85	over 200~250	±1.00
over 250~320	±1.00	over 250~320	±1.20

ITEM	NAME OF PART	MATERIAL	NOTES
3	NUT	COPPER ALLOY	M2.5x0.45
2	SOLDER PIN	COPPER ALLOY	Tin Plated
1	HOUSING	PA66	UL94-V0 GREEN

RoHS Compliant

HSM 玄茂科技股份有限公司
HSUAN MAO TECHNOLOGY CO., LTD.

APPD. 核准	HELEN
DWG. 製圖	ABBY
DATE 制表日	2023/03/30

SCALE 比例	參考
UNIT 單位	MM
PAGE 張數	1 OF 1

TOLERANCE 容許公差	.0 ± 0.30
	.00 ± 0.20
ANG. ± 3°	
SIZE. 紙張尺寸	A 4
REV. 版次	C
PART NAME 品名	3.5mm P.C.B. TERMINAL BLOCK XXP RIGHT ANGLE TYPE WITH SCREW HOLE(EAR) TIN PLATED GREEN INSULATOR ROHS
PART NO. 料號	C0924-XXRYTE00R