

A

B

C

D

E

F

G

H

A

B

C

D

E

F

G

H

| | | | | | | | | |
|---|-------|-------|-------|-------|-------|-------|-------|-------|
| P | 2 | 3 | 4 | 5 | 6 | 7 | 8 | 9 |
| U | 3.50 | 7.00 | 10.50 | 14.00 | 17.50 | 21.00 | 24.50 | 28.00 |
| V | 7.80 | 11.30 | 14.80 | 18.30 | 21.80 | 25.30 | 28.80 | 32.30 |
| P | 10 | 11 | 12 | 13 | 14 | 15 | 16 | 17 |
| U | 31.50 | 35.00 | 38.50 | 42.00 | 45.50 | 49.00 | 52.50 | 56.00 |
| V | 35.80 | 39.30 | 42.80 | 46.30 | 49.80 | 53.30 | 56.80 | 60.30 |
| P | 18 | 19 | 20 | 21 | 22 | 23 | 24 | |
| U | 59.50 | 63.00 | 66.50 | 70.00 | 73.50 | 77.00 | 80.50 | |
| V | 63.80 | 67.30 | 70.80 | 74.30 | 77.80 | 81.30 | 84.80 | |

NOTES 1:

UL Standard :

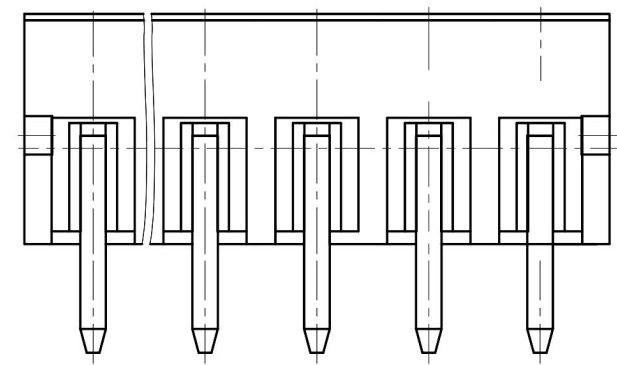
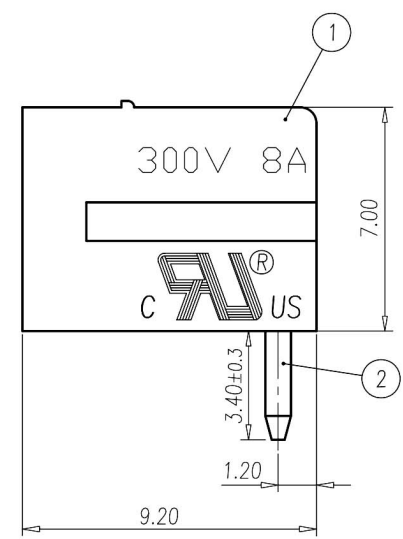
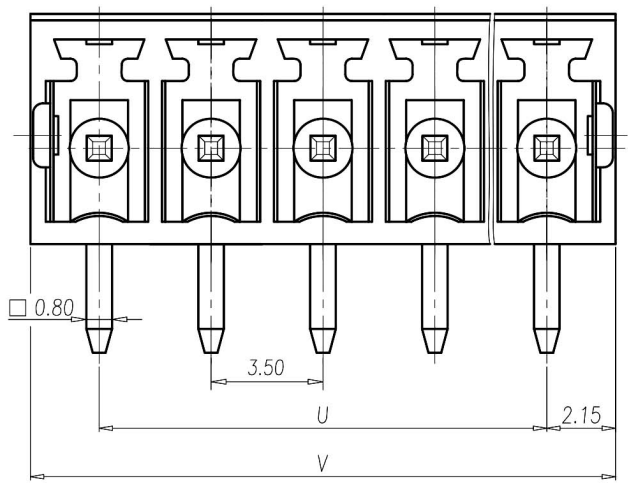
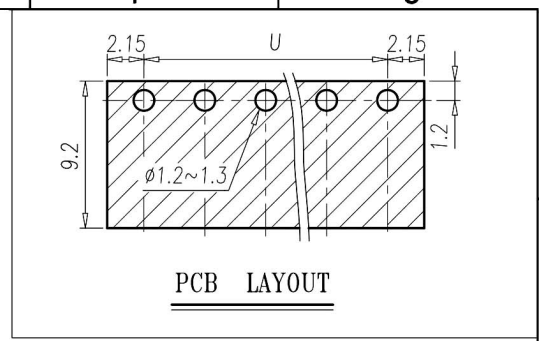
- 1.Rating: 300V 8A
- 2.Insulation Withstands Voltage: AC 2000 V at 1 minute
- 3.Using Temperature Range: -40°C~+115°C

IEC Standard:

- 1.Rating: 320V 14A
2. Rate Impulse Voltage: 2500V
- 3.Insulation Resistance: 500MΩ or more at DC500V
4. Material Group : I
- 5.Pollution Degree : 2
- 6.Overtoltage Category: II
- 7.Using Temperature Range: -40°C~+110°C

NOTES 2:

1. RoHS compliance



| 2 | SOLDER PIN | COPPER-ALLOY | Tin Plated |
|------|--------------|--------------|---------------|
| 1 | HOUSING | PA | UL94-V0 GREEN |
| ITEM | NAME OF PART | MATERIAL | NOTES |

| Normal Geometric Tolerancing | | | |
|------------------------------|-------|-----------------------------|---------|
| - | // | ≡ | ⊥ |
| 0 to 100 | 0.2 | 0.3 | 0 to 10 |
| over 100 to 150 | 0.3 | | over 10 |
| over 150 | 0.5 | | 0.3 |
| Total Pitch Tolerances | | Normal Dimension Tolerances | |
| 0~30 | ±0.20 | 0~30 | ±0.25 |
| over 30~53 | ±0.25 | over 30~53 | ±0.30 |
| over 53~70 | ±0.30 | over 53~70 | ±0.35 |
| over 70~90 | ±0.35 | over 70~90 | ±0.44 |
| over 90~115 | ±0.44 | over 90~115 | ±0.55 |
| over 115~150 | ±0.55 | over 115~150 | ±0.70 |
| over 150~200 | ±0.70 | over 150~200 | ±0.85 |
| over 200~250 | ±0.85 | over 200~250 | ±1.00 |
| over 250~320 | ±1.00 | over 250~320 | ±1.20 |

RoHS Compliant

HSM 玄茂科技股份有限公司

HSUAN MAO TECHNOLOGY CO., LTD.

| | | | | | |
|----------|------------|----------|--------|-----------------|--------------|
| APPD. 核准 | HELEN | SCALE 比例 | 参考 | TOLERANCE 容許公差 | PART NAME 品名 |
| DWG. 製圖 | ABBY | UNIT 單位 | MM | SIZE: 紙張尺寸 | A 4 |
| DATE 制表日 | 2015/09/21 | PAGE 張數 | 1 OF 1 | REV. 版次 | C |
| | | | | PART NO. 料號 | |
| | | | | C0924-XXRNTE00R | |