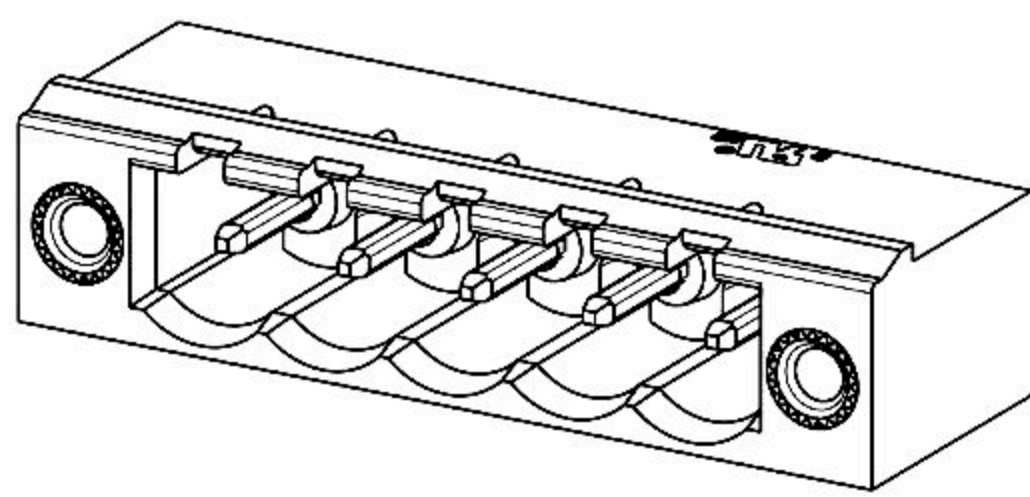
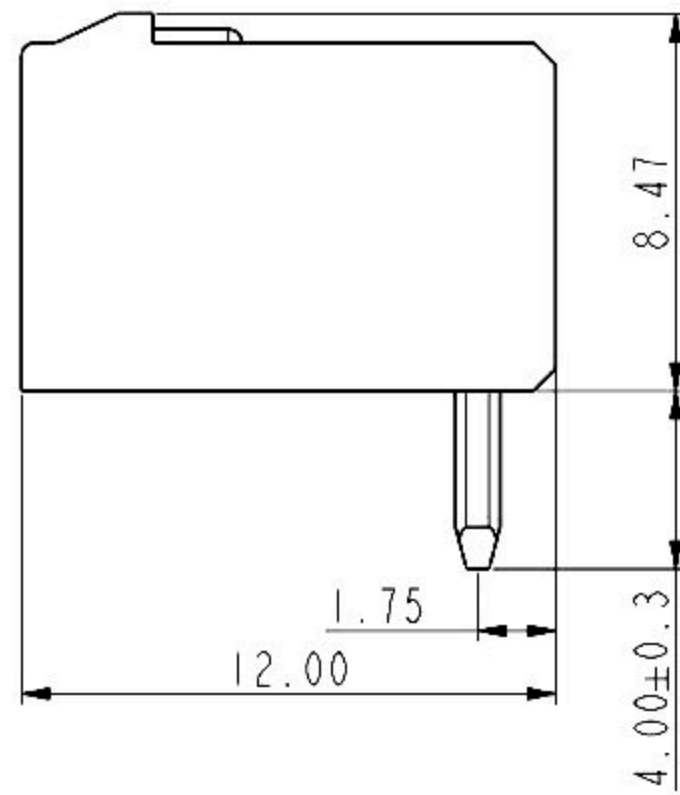
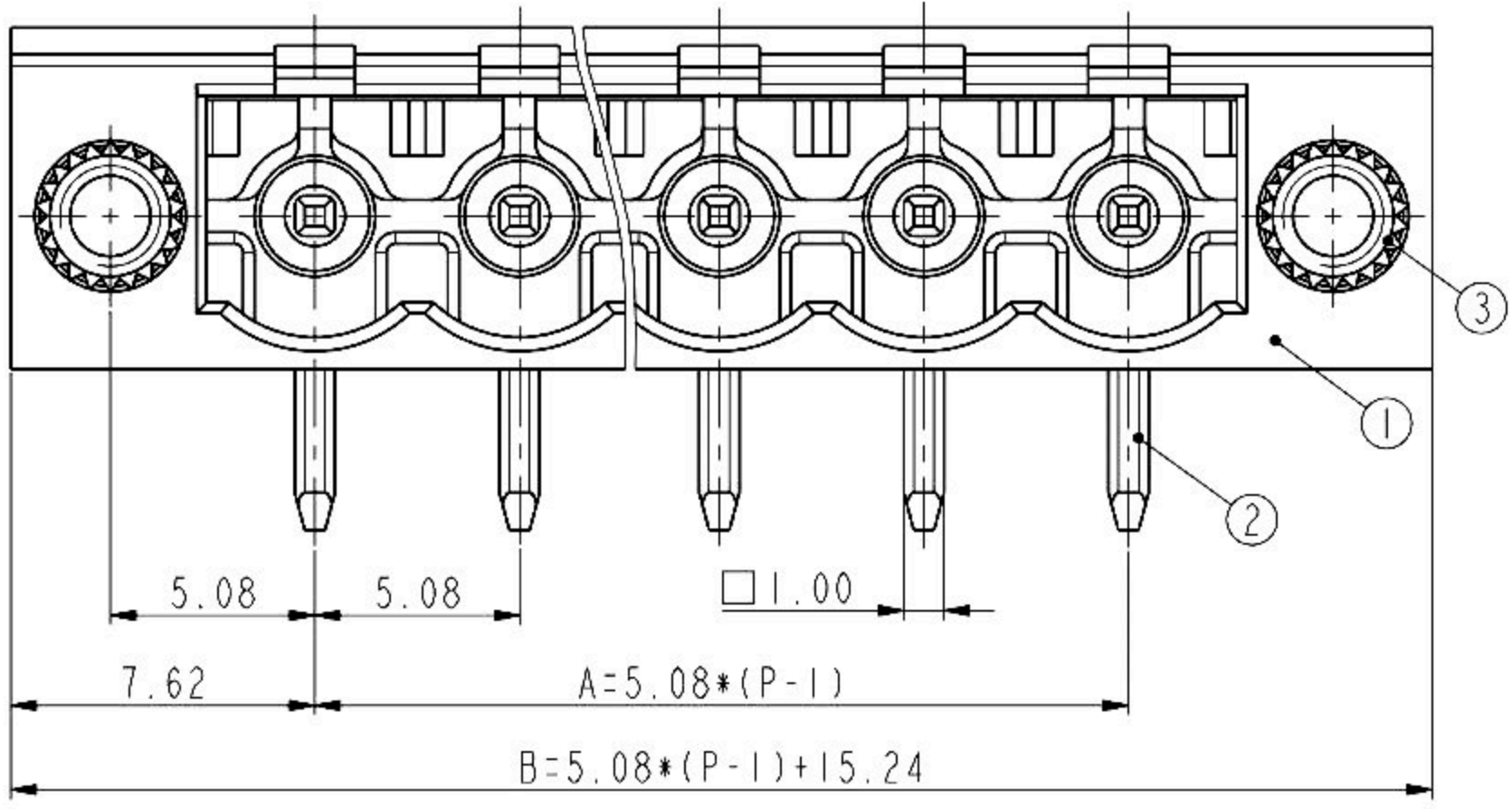
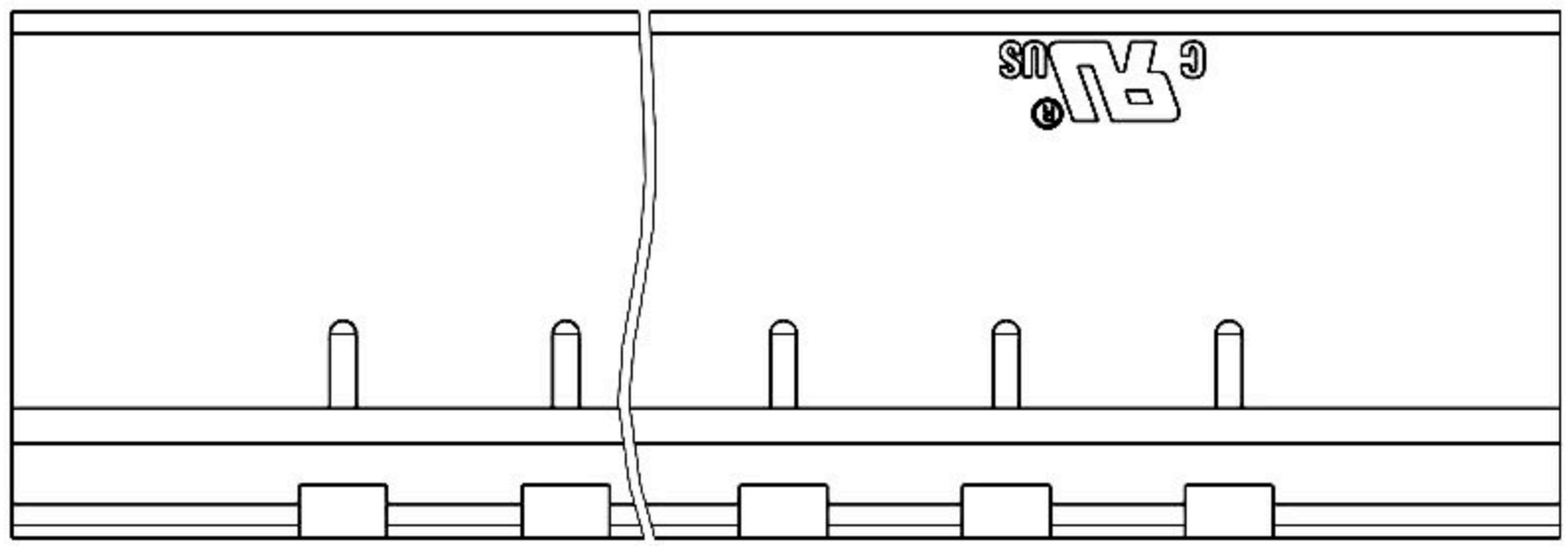
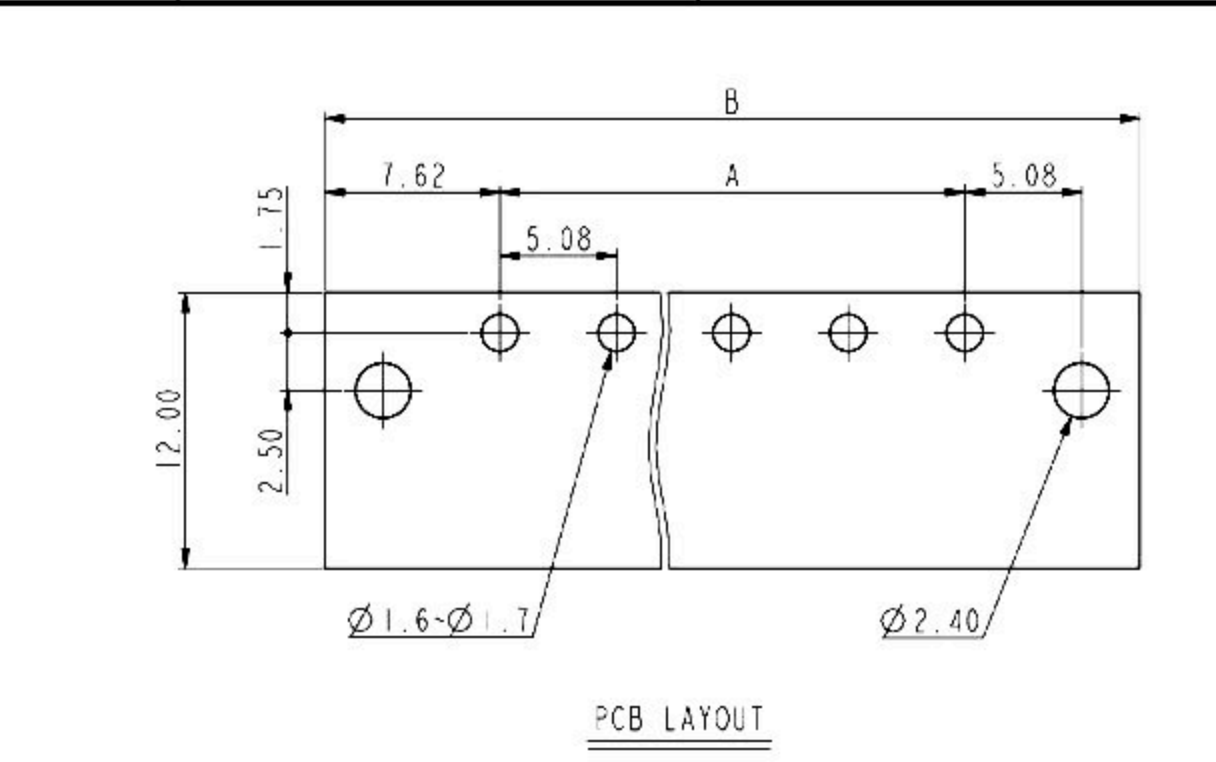


P	2	3	4	5	6	7	8	9	10	11	12	13
A	5.08	10.16	15.24	20.32	25.40	30.48	35.56	40.64	45.72	50.80	55.88	60.96
B	20.32	25.40	30.48	35.56	40.64	45.72	50.80	55.88	60.96	66.04	71.12	76.20
P	14	15	16	17	18	19	20	21	22	23	24	
A	66.04	71.12	76.20	81.28	86.36	91.44	96.52	101.60	106.68	111.76	116.84	
B	81.28	86.36	91.44	96.52	101.60	106.68	111.76	116.84	121.92	127.00	132.08	



3	NUT	COPPER ALLOY	M2.5/
2	SOLDER PIN	COPPER ALLOY	Tin Plated
1	HOUSING	PA66	UL94-V0
ITEM	NAME OF PART	MATERIAL	NOTES

Information

Insulation resistance	≥500MΩ at DC 500V
Rated Voltage (V)	300
Rated Current (A)	20
Operating temperature max.(°C)	120
Operating temperature min. (°C)	-40

Total Pitch Tolerances		Normal dimension Tolerances	
0~30	±0.20	0~30	±0.25
over 30~53	±0.25	over 30~53	±0.30
over 53~70	±0.30	over 53~70	±0.35
over 70~90	±0.35	over 70~90	±0.44
over 90~115	±0.44	over 90~115	±0.55
over 115~150	±0.55	over 115~150	±0.70
over 150~200	±0.70	over 150~200	±0.85
over 200~250	±0.85	over 200~250	±1.00
over 250~320	±1.00	over 250~320	±1.20

RoHS Compliant

HSM 玄茂科技股份有限公司
HSUAN MAO TECHNOLOGY CO., LTD.

APPD. 核准 HELEN
 DWG. 製圖 ABBY
 DATE 制表日 2023/03/28

TOLERANCE 容許公差
 SCALE 比例 參考
 UNIT 單位 MM
 PAGE 張數 1 OF 1
 REV. 版本 C

PART NAME 品名
 5.08mm TERMINAL BLOCK PCB TYPE XXP 90° GREEN COLOR FOUR COVERS(CLOSE TYPE) & WITH SCREWS HOLE ROHS
 PART NO. 料號 C0920-XXRTEM00R