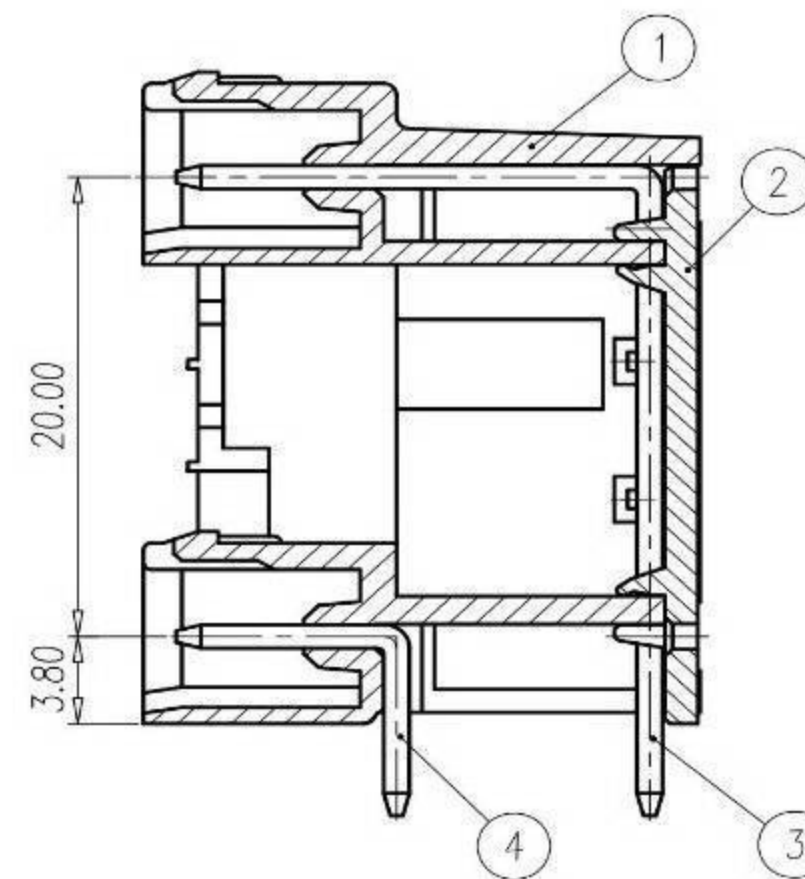
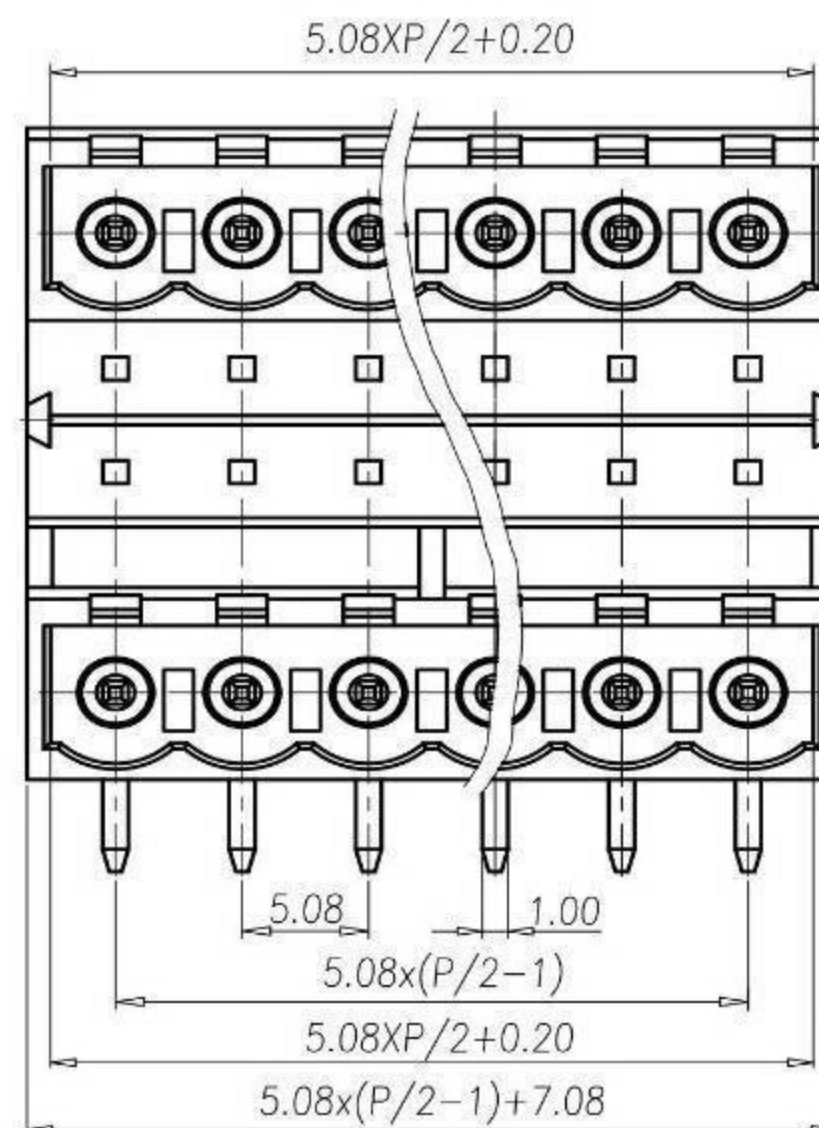
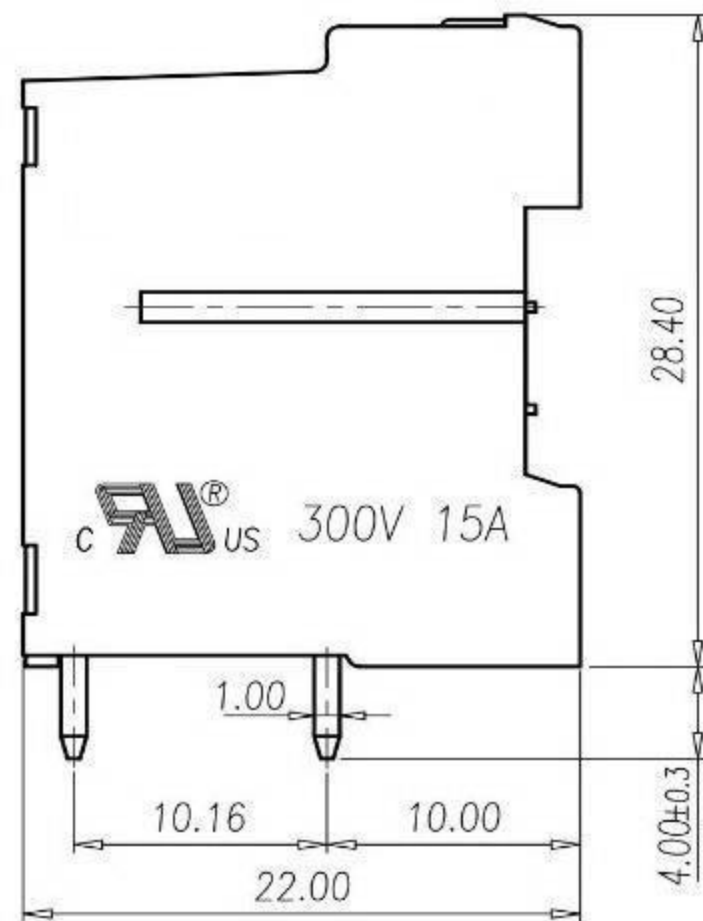


P.C.B. LAYOUT

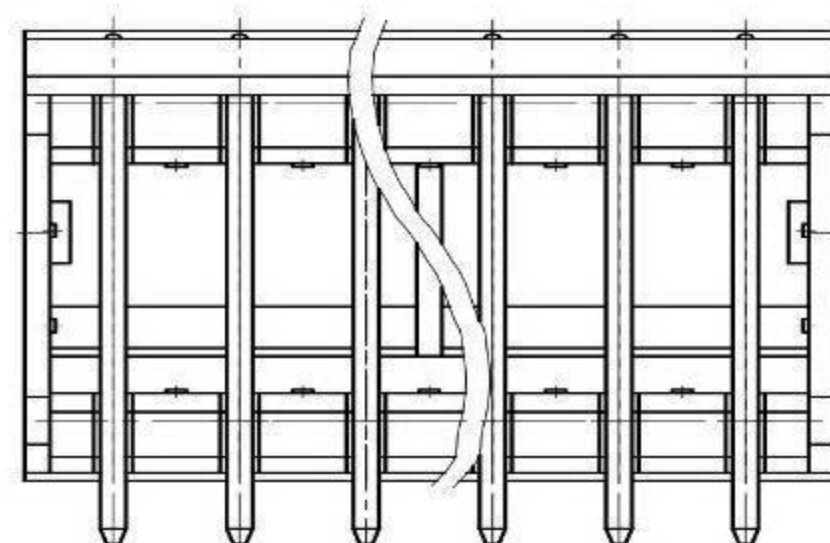
NOTES:

1. Rating: 300V 15A  
PITCH: 5.08mm
2. Insulation Withstands Voltage:  
AC 1500V at 1 minute
3. Insulation Resistance:  
500MΩ or more at DC1000V
4. Using Temperature Range:  
-40°C~+105°C
5. RoHS Compliance



Normal Geometric Tolerancing				
—	//	≡	⊥	
0 to 100	0.2	0.3	0 to 10	0.2
over 100 to 150	0.3		over 10	0.3
over 150	0.5			
Total Pitch Tolerances		Normal dimension Tolerances		
0<U≤30	±0.20	0~30	±0.25	
30<U≤53	±0.25	over 30~53	±0.30	
53<U≤70	±0.30	over 53~70	±0.35	
70<U≤90	±0.35	over 70~90	±0.44	
90<U≤115	±0.44	over 90~115	±0.55	
115<U≤150	±0.55	over 115~150	±0.70	
150<U≤200	±0.70	over 150~200	±0.85	
200<U≤250	±0.85	over 200~250	±1.00	
250<U≤320	±1.00	over 250~320	±1.20	

4	SOLDER PIN2	COPPER ALLOY	Tin Plated
3	SOLDER PIN1	COPPER ALLOY	Tin Plated
2	END COVER	PA66	UL94-V0 GREEN
1	HOUSING	PA66	UL94-V0 GREEN
ITEM	NAME OF PART	MATERIAL	NOTES



<b>RoHS Compliant</b>		<b>HSM 玄茂科技股份有限公司</b> <b>HSUAN MAO TECHNOLOGY CO., LTD.</b>	
APPD. 核准 <b>BETTY</b>		TOLERANCE 容許公差 .0 ± .00 ± ANG. ±	<b>PART NAME 品名</b> 5.08mm HEADER FOR PLUGGABLE TERMINAL BLOCKS DOUBLE-DECKED 2*XXP 90° WITHOUT SCREW HOLE TIN PLATING GREEN INSULATOR ROHS
DWG. 製圖 <b>KAREN</b>	SCALE 比例 參考	UNIT 單位 MM	<b>PART NO.</b> 料號 C0919-XXRNTE00R
DATE 制表日 2012/04/30	PAGE 張數 1 OF 1	REV. 版本 B	