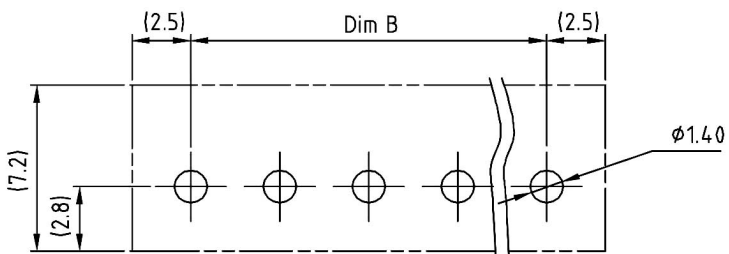
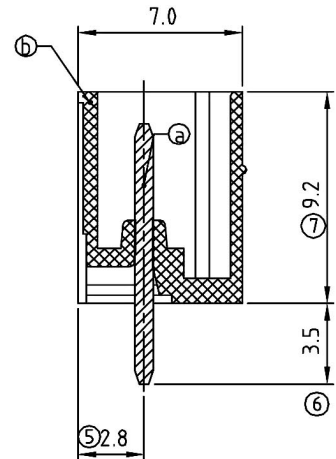
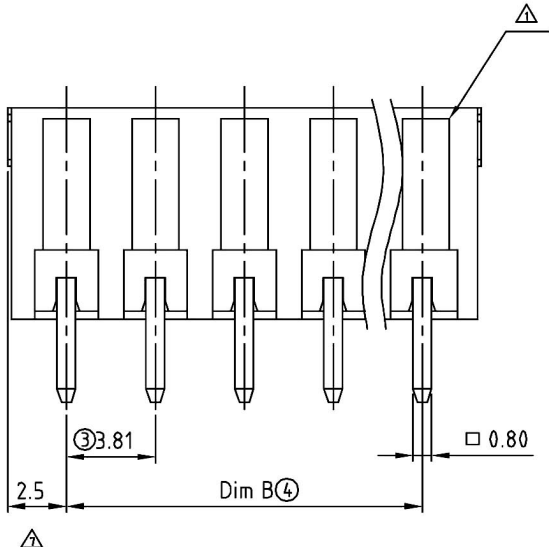
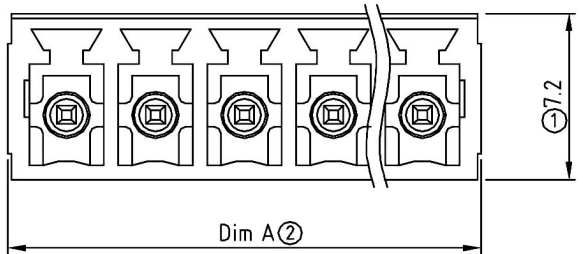


1 2 3 4 5 6 7 8

A
B
C
D
E
F
G
H

A
B
C
D
E
F
G
H



RECOMMENDED PCB LAYOUT

Material:

- Item ① Male contact pin: Copper Tin plated
- Item ② Terminalhousing): Thermoplastic (UL94V-0)

Electrical: cULus /VDE

- Voltage rating: 300V/125V
- Current rating: 10A/10.5A
- Withstanding Voltage: 1.6 KV/2.5KV
- Operating temperature: -40°C to +115°C
- Soldering temperature: 250°C±10°C/5 Sec

DIMENSION

A	$(N-1) \times 3.81 + 5.0$
B	$(N-1) \times 3.81$

N= NUMBER OF CONCATS

Poles	Tolerance
2P-6P	±0.15
7P-12P	±0.20
13P-18P	±0.25
19P-24P	±0.30

RoHS Compliant

HSM 玄茂科技股份有限公司
HSUAN MAO TECHNOLOGY CO., LTD.

APPD. 核准
DWG. 製圖
DATE 制表日
2018/08/23

SCALE 比例 參考
UNIT 單位 MM
PAGE 張數 1 OF 1

Tolerance
X. ±0.50
X.X ±0.30
X.XX ±0.10
X° ±1°
SIZE. 紙張尺寸 A 4
REV. 版次 A
PART NAME 品名
3.81mm P.C.B. TERMINAL BLOCK
XXPIN STRAIGHT TYPE WITHOUT EAR
TIN PLATED GREEN INSULATOR ROHS
PART NO.
料號 C0913-XXSNTE00R

1 2 3 4 5 6 7 8