

1 2 3 4 5 6 7 8

A

B

C

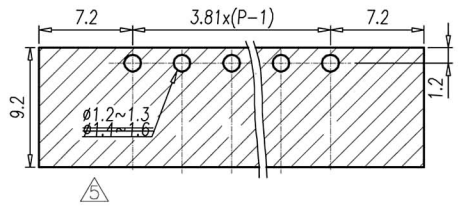
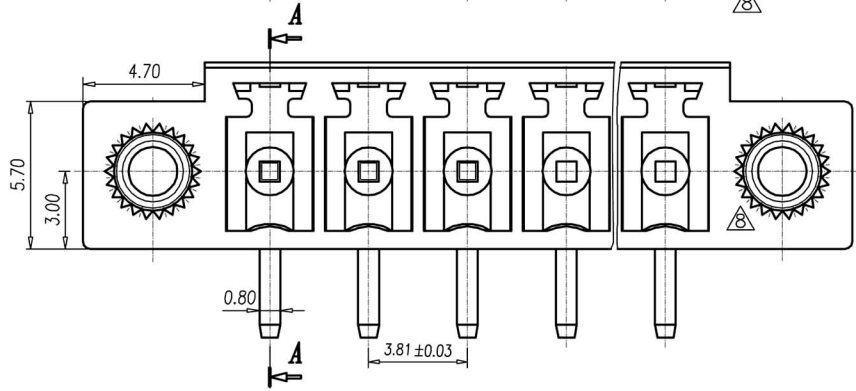
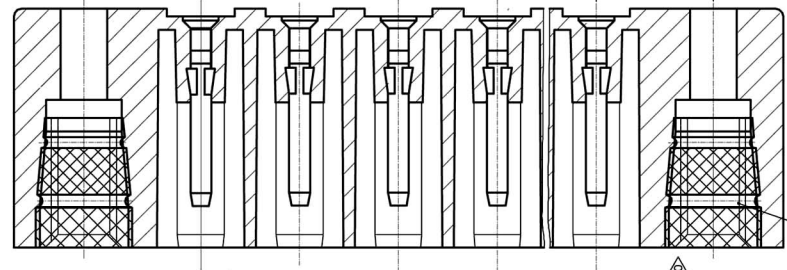
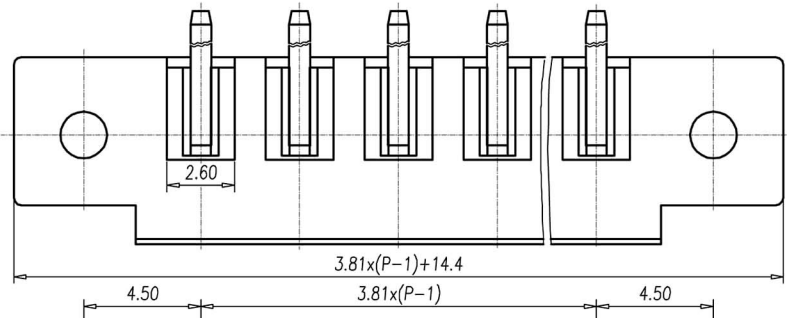
D

E

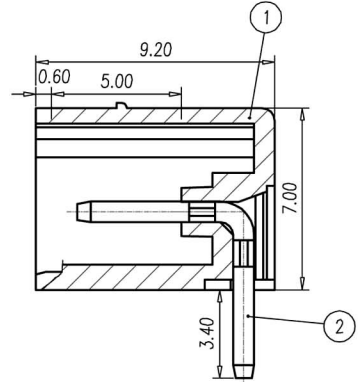
F

G

H



P.C.B. LAYOUT



SECTION A-A

NOTES:

- 300
- 1. Rating: ~~100V~~ 8A
PITCH: 3.81 mm
- 2. Insulation Withstands Voltage:
AC 1000 V/MIN
- 3. Insulation Resistance:
1000MΩ or more at DC500V
- 4. Using Temperature Range:
~~-40°C~+130°C~~
-40°C~+120°C
- 5. Screw Torque Value: 2 kg·cm (MAX)
- 6. Suitable Electric Wire: AWG 22~16
- 7. Undimensioned Tolerances:

| | | | |
|--------------|------------|---|---------|
| □ | ∠ | ∇ | 0.05/10 |
| ⊥ | ∥ | ≡ | 0.2/10 |
| UNDIMENSIONS | TOLERANCES | | ±0.3 |

| ITEM | NAME OF PART | Q'TY | MATERIAL | NOTES |
|------|--------------|------|----------------------------|---------------|
| 3 | NUT | 2 | BRASS BRONZE | M2.5 |
| 2 | SOLDER PIN | P | COPPER | M2/Tin Plated |
| 1 | HOUSING | 1 | PBT | GREEN |

RoHS
Compliant

HSM 玄茂科技股份有限公司
HSUAN MAO TECHNOLOGY CO., LTD.

APPD. 核准 Lynne
DWG. 製圖 Hedy
DATE 制表日 2007/12/13

SCALE 比例 參考
UNIT 單位 MM
PAGE 張數 1 / 1

TOLERANCE 容許公差
.0 ±
.00 ±
ANG. ±
SIZE. 紙張尺寸 A 4
REV. 版次 A
PART NAME 品名
3.81mm P.C.B. TERMINAL BLOCK XXP
RIGHT ANGLE TYPE WITH EAR(SCREW)
TIN PLATED GREEN INSULATOR ROHS
PART NO. 料號 C0913-XXRYTE00R

1 2 3 4 5 6 7 8