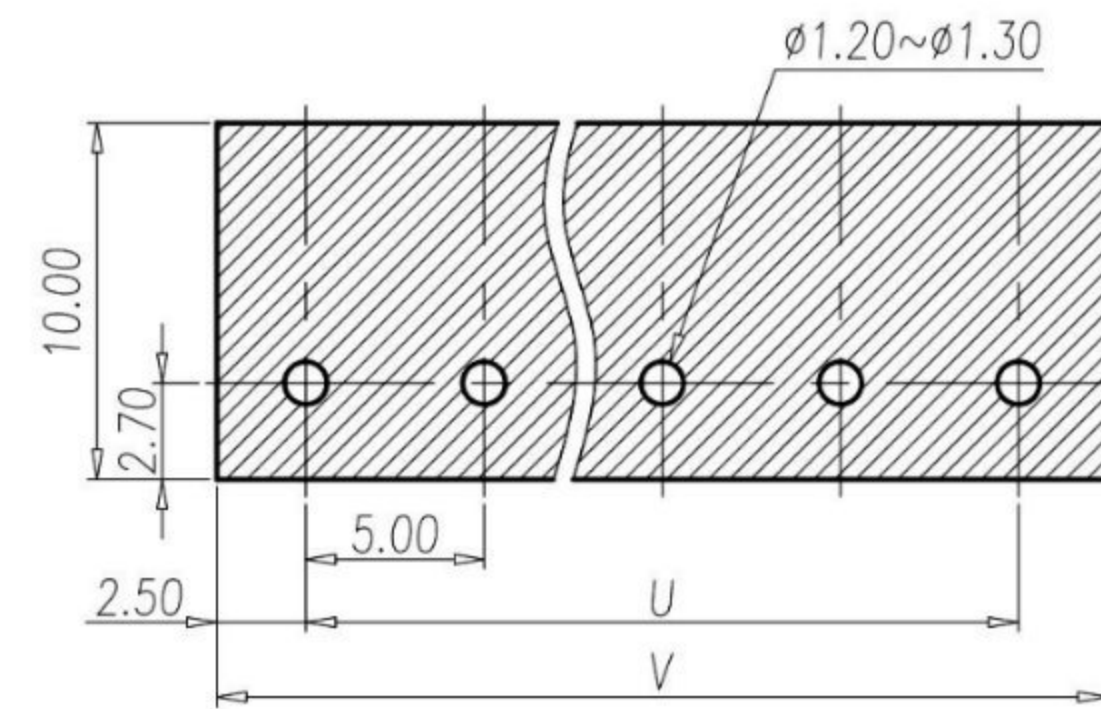


NOTES 2:

- 1.RoHS compliance
- 2.Strip Length:5~6mm
- 3.12P以上产品用拼接方式处理



P.C.B. LAYOUT(REF)

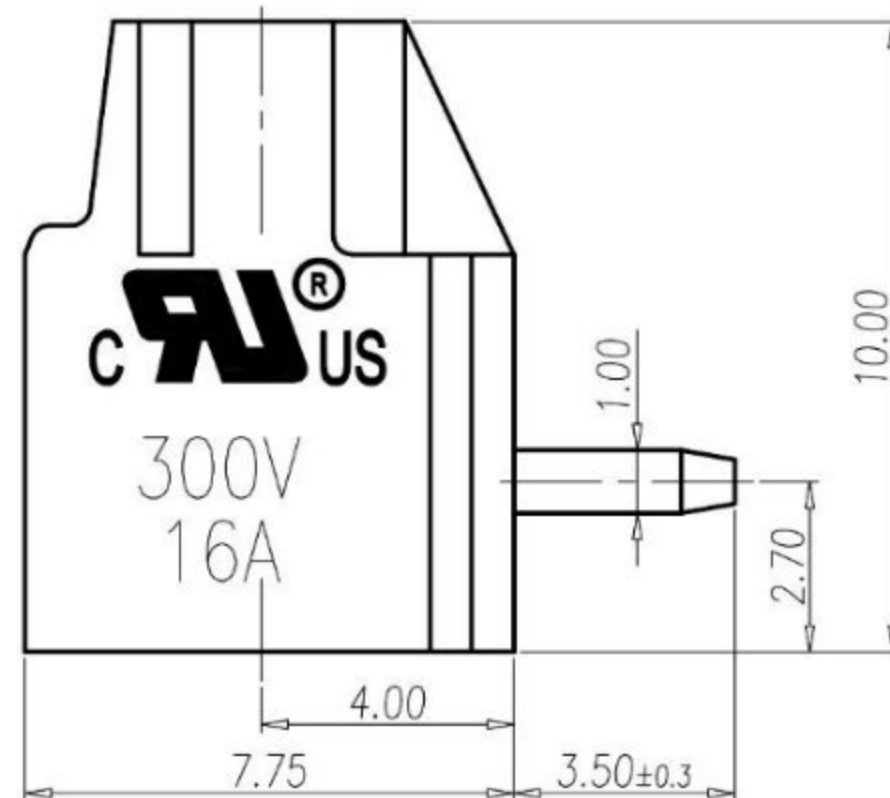
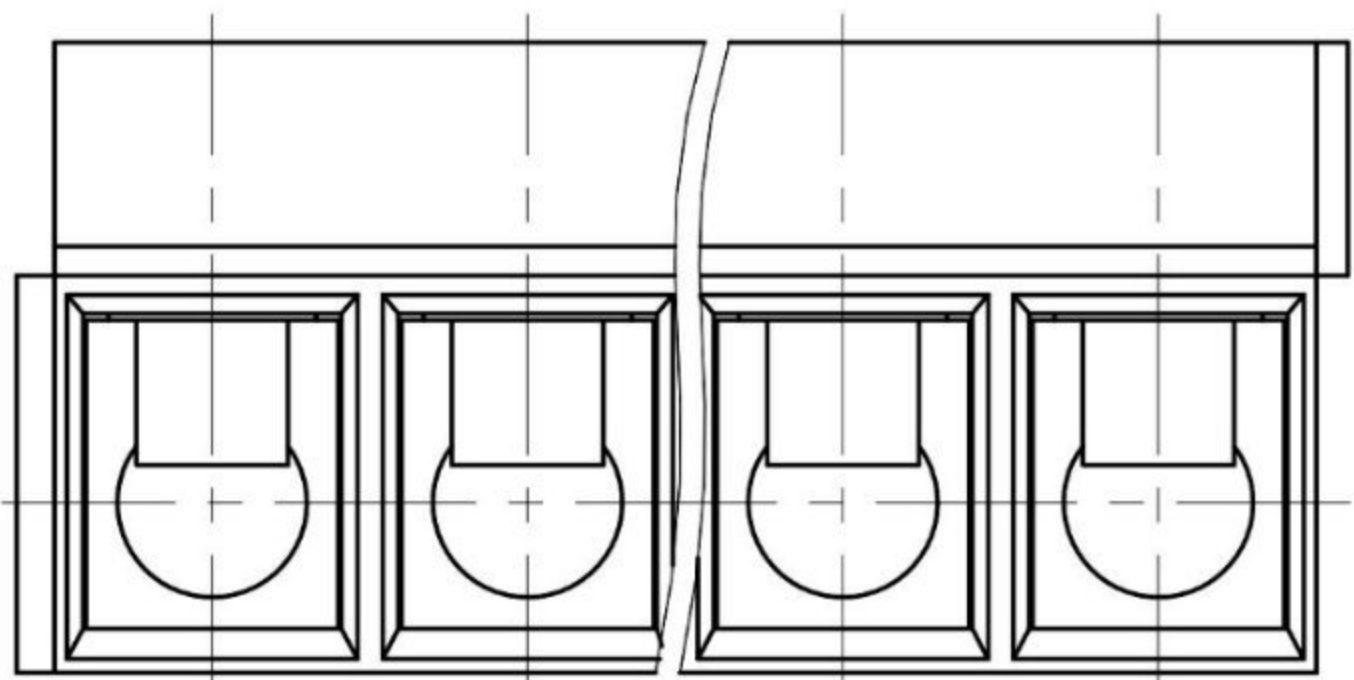
NOTES 1:

UL Standard :

- 1.Rating: 300V 16A
- 2.Insulation Withstands Voltage:
AC 1500 V at 1 minute
- 3.Using Temperature Range:
-40°C~+115°C
- 4.Screw Torque Value:0.4N·m
- 5.Suitable Electric Wire:AWG 24~14

IEC Standard:

- 1.Rating: 250V 17.5A
- Rate Impulse Voltage: 4000V
- 3.Insulation Resistance:
500M Ω or more at DC500V
4. Material Group : I
- 5.Using Temperature Range:
-40°C~+110°C
- 6.Screw Torque Value: 0.4N·m
- 7.Suitable Electric Wire: 0.5~1.5mm²



P	2	3	4	5	6	7	8	9	10	11	12
U	5.00	10.00	15.00	20.00	25.00	30.00	35.00	40.00	45.00	50.00	55.00
V	10.00	15.00	20.00	25.00	30.00	35.00	40.00	45.00	50.00	55.00	60.00

Total Pitch Tolerances		Normal Dimension Tolerances	
0~30	±0.20	0~30	±0.25
over 30~53	±0.25	over 30~53	±0.30
over 53~70	±0.30	over 53~70	±0.35
over 70~90	±0.35	over 70~90	±0.44
over 90~115	±0.44	over 90~115	±0.55
over 115~150	±0.55	over 115~150	±0.70
over 150~200	±0.70	over 150~200	±0.85
over 200~250	±0.85	over 200~250	±1.00
over 250~320	±1.00	over 250~320	±1.20

ITEM	NAME OF PART	MATERIAL	NOTES
4	SCREW	STEEL	M2.5/Zn Plated
3	SOLDER PIN	COPPER ALLOY	Tin Plated
2	CLAMP	STAINLESS STEEL	
1	HOUSING	PA66	UL94-V0 GREEN

RoHS Compliant

HSM 玄茂科技股份有限公司
HSUAN MAO TECHNOLOGY CO., LTD.

APPD. 核准 HELEN
DWG. 製圖 ABBY
DATE 制表日 2017/07/31

TOLERANCE 容許公差
SCALE 比例 參考
UNIT 單位 MM
PAGE 張數 1 OF 1
REV. 版本 B

PART NAME 品名
5.0mm TERMINAL BLOCK XXPIN RIGHT ANGLE H=10mm 14-24AWG TIN PLATED GREEN INSULATOR ROHS
PART NO. 料號 C0908-XXRTTE00R