

1 2 3 4 5 6 7 8

A

B

C

D

E

F

G

H

A

B

C

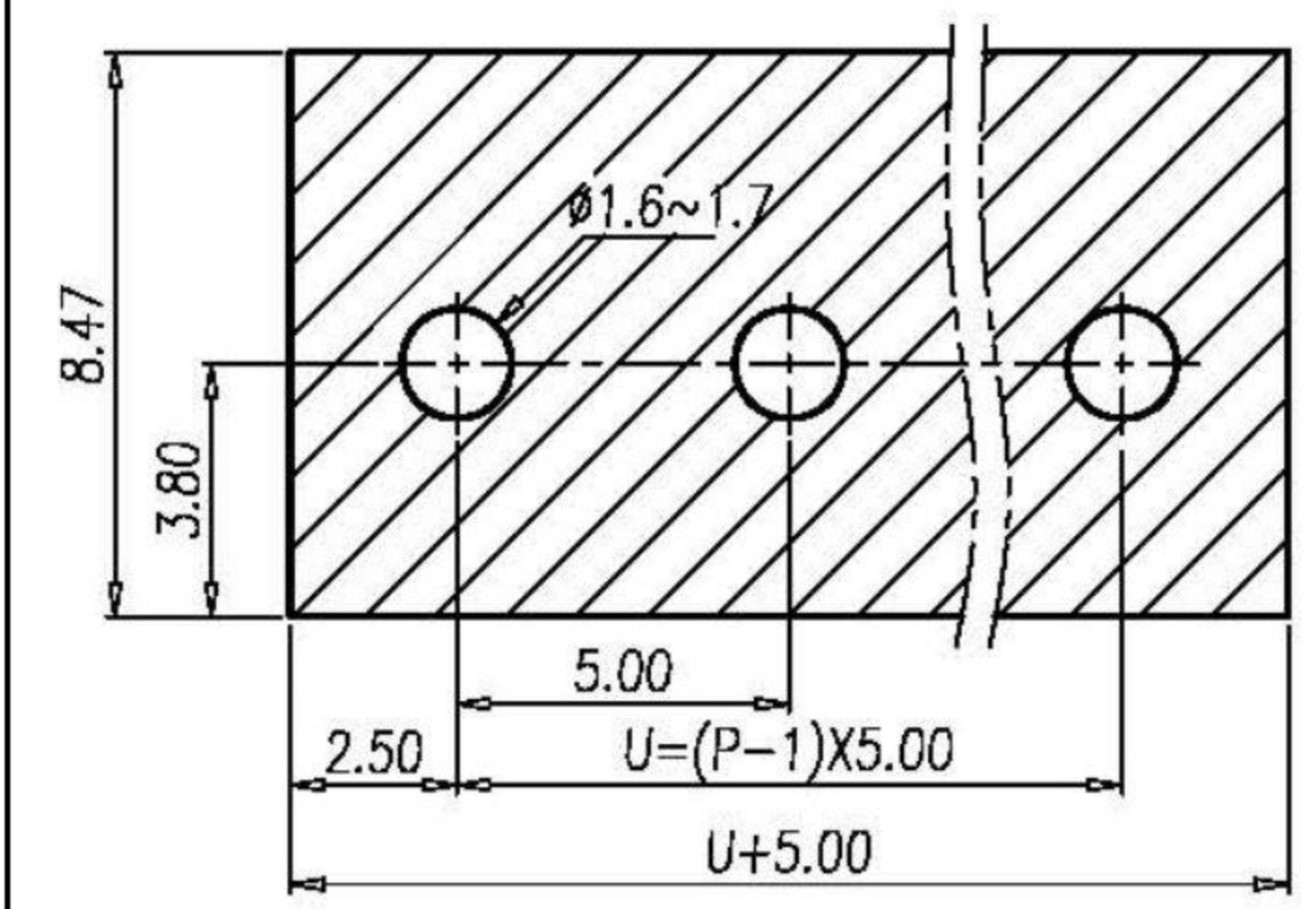
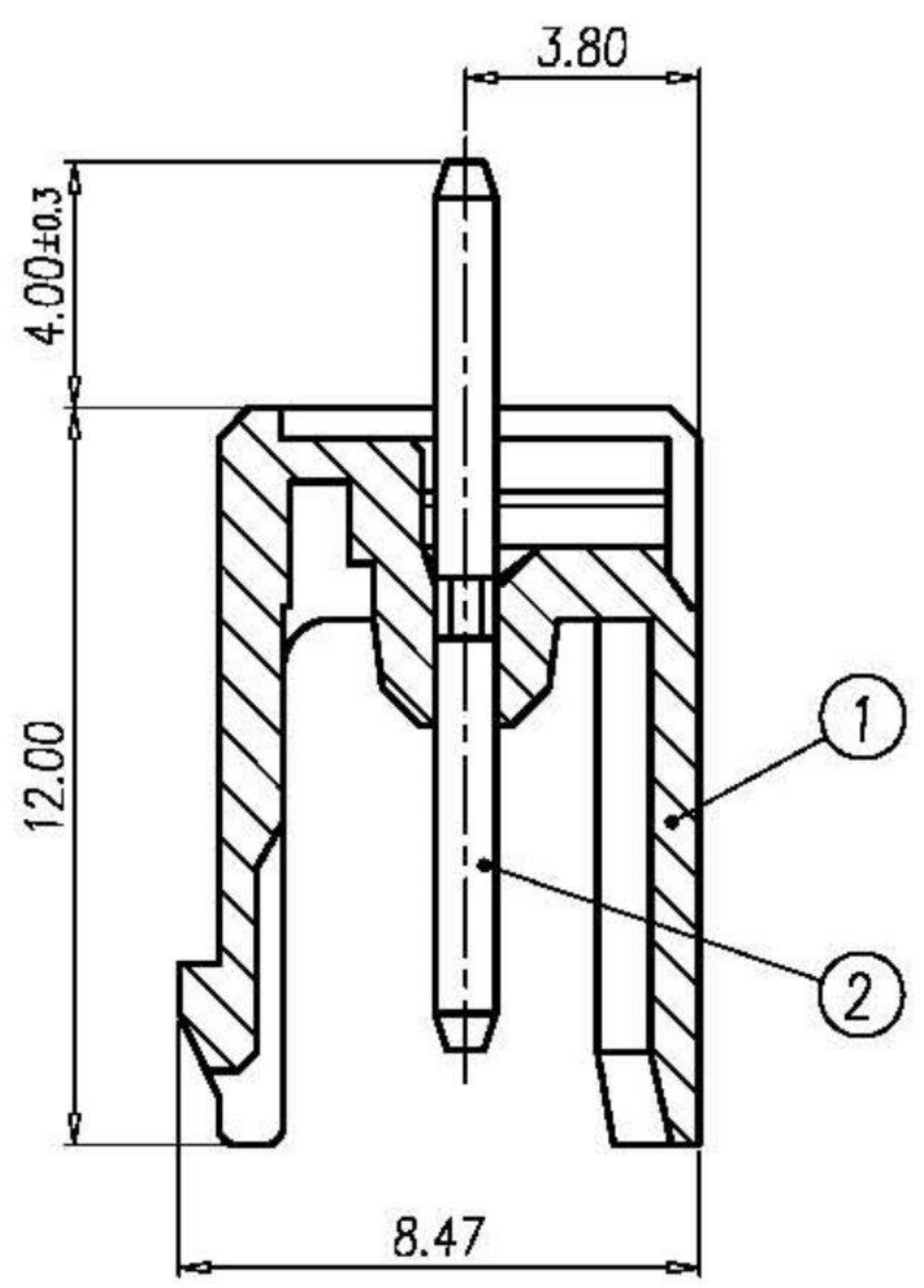
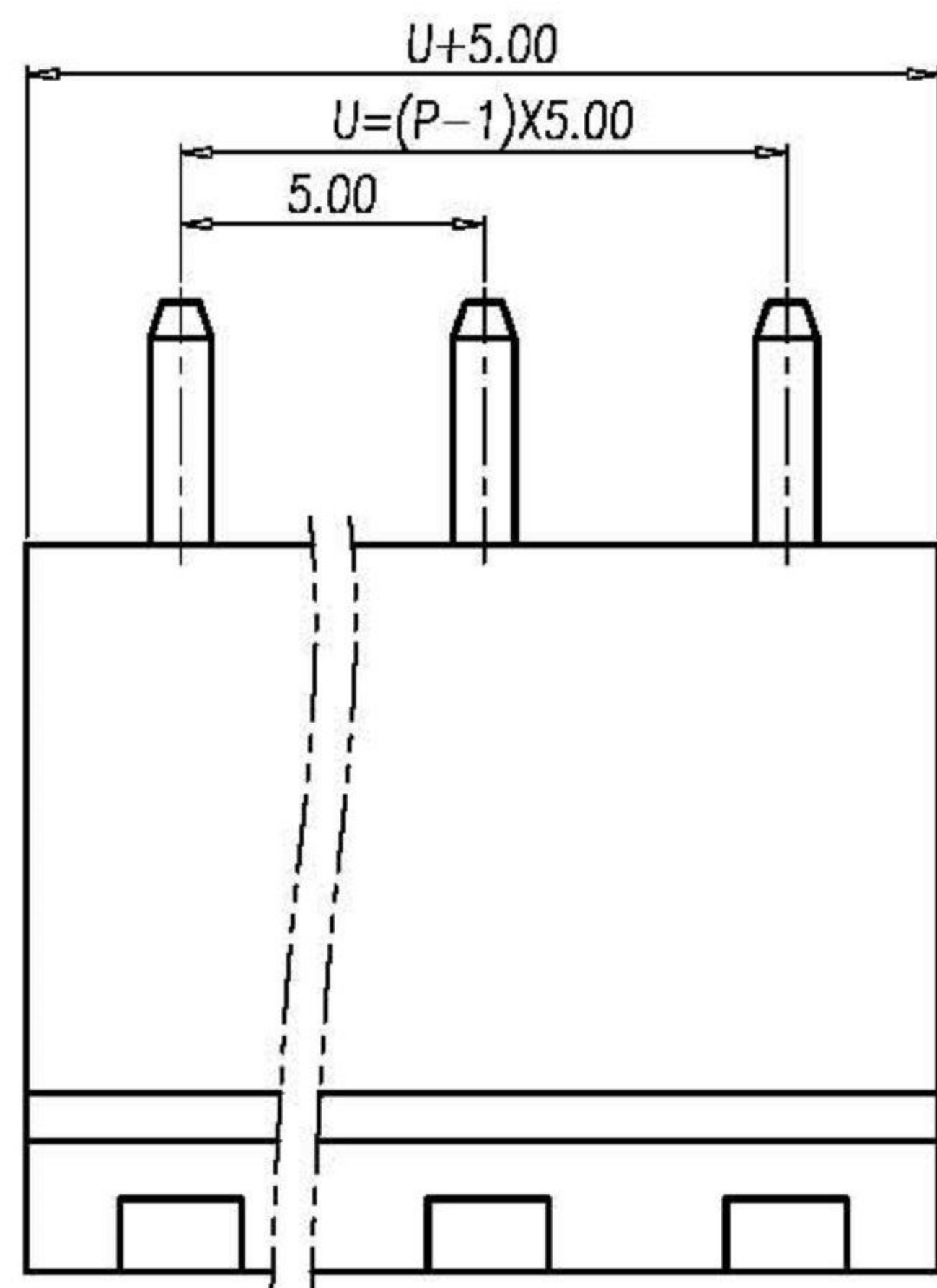
D

E

F

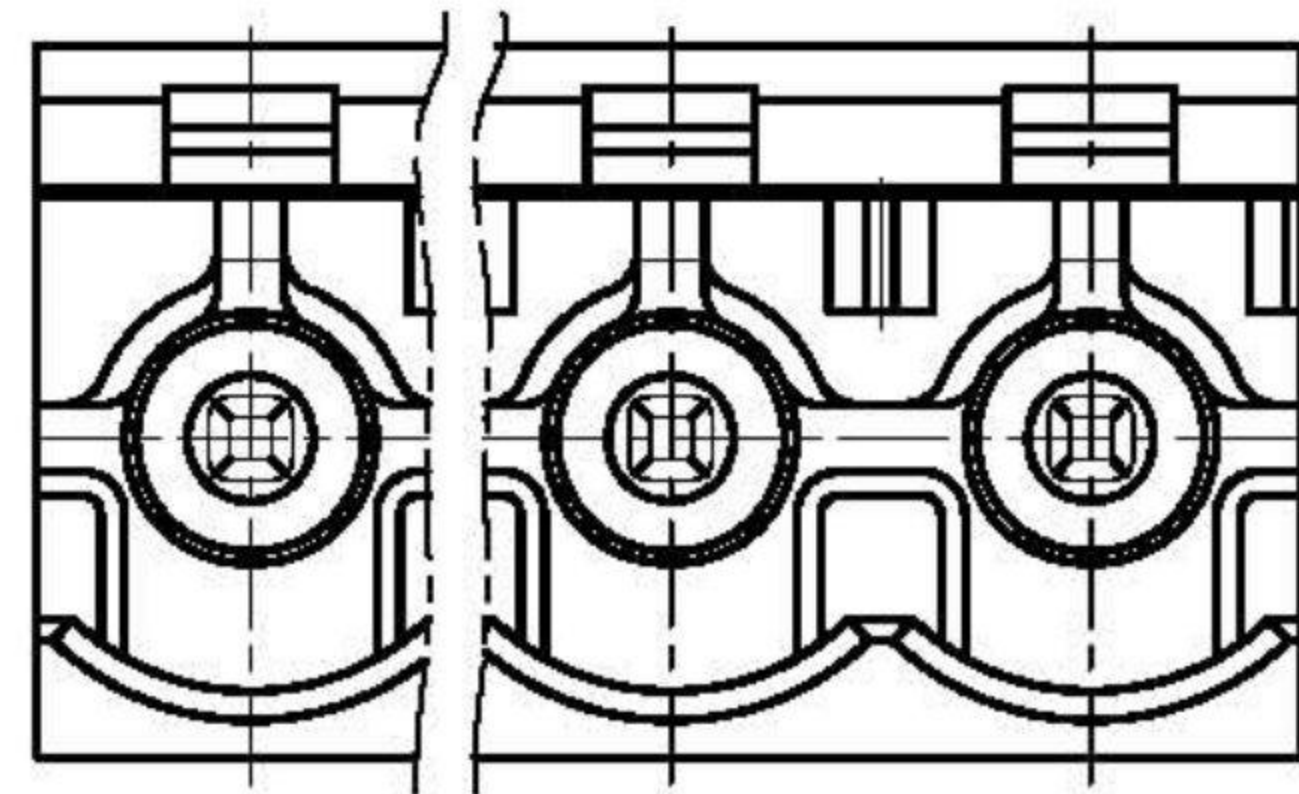
G

H



P.C.B. LAYOUT(REF)
S=5:1

- NOTES:
- Rating: 300V 15A(IEC 250V 12A)
PITCH: 5.00mm
 - Insulation Withstands Voltage:
AC 2000V at 1 minute
 - Insulation Resistance:
500MΩ or more at DC500V
 - Using Temperature Range:
-40°C~+105°C
 - RoHS compliance



| | | | | | | | | | | | | | | | |
|---|-------|-------|-------|-------|--------|--------|--------|--------|--------|-------|-------|-------|-------|-------|-------|
| P | 2 | 3 | 4 | 5 | 6 | 7 | 8 | 9 | 10 | 11 | 12 | 13 | 14 | 15 | 16 |
| U | 5.00 | 10.00 | 15.00 | 20.00 | 25.00 | 30.00 | 35.00 | 40.00 | 45.00 | 50.00 | 55.00 | 60.00 | 65.00 | 70.00 | 75.00 |
| P | 17 | 18 | 19 | 20 | 21 | 22 | 23 | 24 | 25 | | | | | | |
| U | 80.00 | 85.00 | 90.00 | 95.00 | 100.00 | 105.00 | 110.00 | 115.00 | 120.00 | | | | | | |

| | | | |
|------|--------------|--------------|---------------|
| 2 | SOLDER PIN | COPPER ALLOY | TIN PLATED |
| 1 | HOUSING | PA66 | UL94-V0 GREEN |
| ITEM | NAME OF PART | MATERIAL | NOTES |

| Normal Geometric Tolerancing | | | | |
|------------------------------|-------|-----------------------------|---------|-----|
| - | // | = | ⊥ | |
| 0 to 100 | 0.2 | 0.3 | 0 to 10 | 0.2 |
| over 100 to 150 | 0.3 | | over 10 | 0.3 |
| over 150 | 0.5 | | | |
| Total Pitch Tolerances | | Normal dimension Tolerances | | |
| 0<U≤30 | ±0.20 | 0~30 | ±0.25 | |
| 30<U≤53 | ±0.25 | over 30~53 | ±0.30 | |
| 53<U≤70 | ±0.30 | over 53~70 | ±0.35 | |
| 70<U≤90 | ±0.35 | over 70~90 | ±0.44 | |
| 90<U≤115 | ±0.44 | over 90~115 | ±0.55 | |
| 115<U≤150 | ±0.55 | over 115~150 | ±0.70 | |
| 150<U≤200 | ±0.70 | over 150~200 | ±0.85 | |
| 200<U≤250 | ±0.85 | over 200~250 | ±1.00 | |
| 250<U≤320 | ±1.00 | over 250~320 | ±1.20 | |

RoHS Compliant

HSM 玄茂科技股份有限公司
HSUAN MAO TECHNOLOGY CO., LTD.

| | | | |
|------------------------|-------------------|---|---|
| APPD. 核准 HELEN | SCALE 比例 參考 | TOLERANCE 容許公差 .0 ± .00 ± ANG. ± | PART NAME 品名 5.0mm TERMINAL BLOCK PCB TYPE XXP 180° GREEN COLOR TWO COVERS & WITHOUT SCREWS ROHS |
| DWG. 製圖 ABBY | UNIT 單位 MM | SIZE. 紙張尺寸 A4 | PART NO. 料號 C0906-XXSTEN00R |
| DATE 制表日 2012/12/21 | PAGE 張數 1 OF 1 | REV. 版次 A | |

1 2 3 4 5 6 7 8