

A

B

C

D

E

F

G

H

A

B

C

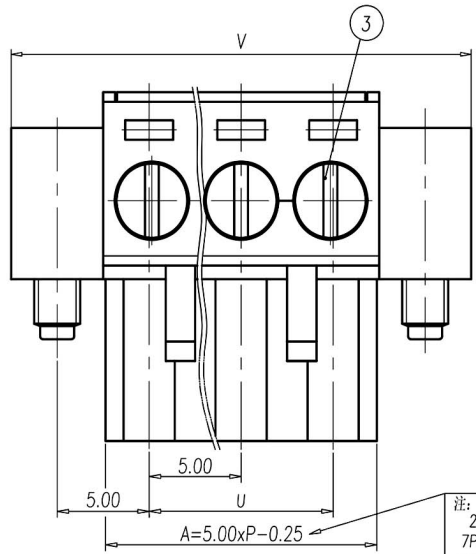
D

E

F

G

H



注:
2P~6P A±0.10
7P~15P A±0.17
16P~24P A±0.25

NOTES 1:

- UL Standard :
1. Rating: 300V 15A
PITCH: 5.00mm
 2. Insulation Withstands Voltage:
AC 2000 V at 1 minute
 3. Using Temperature Range:
-40°C~+115°C
 4. Screw Torque Value: 0.5N·m
 5. Suitable Electric Wire: AWG 30~12

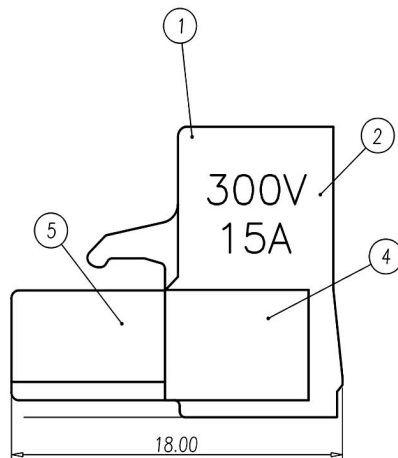
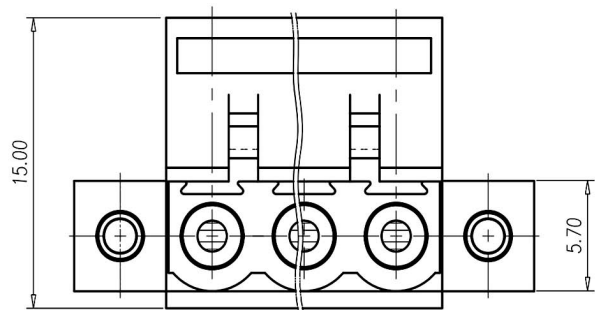
NOTES 2:

1. RoHS Compliance.
2. Strip Length: 7~8mm

IEC Standard :

1. Rating: 600V 18A
2. Rate Impulse Voltage: 4000V
3. Insulation Resistance:
500MΩ or more at DC500V
4. Material Group : 1
5. Pollution Degree : 2
6. Overvoltage Category: II
7. Using Temperature Range:
-40°C~+110°C
8. Screw Torque Value: 0.4N·m
9. Suitable Electric Wire: 0.2~4mm² (sol)
0.2~2.5mm² (str)

Normal Geometric Tolerancing			
—	//	≡	⊥
0 to 100	0.2	0.3	0 to 10
over 100 to 150	0.3		over 10
over 150	0.5		0.3
Total Pitch Tolerances		Normal Dimension Tolerances	
0~30	±0.20	0~30	±0.25
over 30~53	±0.25	over 30~53	±0.30
over 53~70	±0.30	over 53~70	±0.35
over 70~90	±0.35	over 70~90	±0.44
over 90~115	±0.44	over 90~115	±0.55
over 115~150	±0.55	over 115~150	±0.70
over 150~200	±0.70	over 150~200	±0.85
over 200~250	±0.85	over 200~250	±1.00
over 250~320	±1.00	over 250~320	±1.20



ITEM	NAME OF PART	MATERIAL	NOTES
5	CLAMP	COPPER ALLOY	Tin Plated
4	WIRE CAGE	STEEL	Zn Plated
3	SCREW	STEEL	M2.5 Zinc Plated
2	END COVER	PA	UL94-V0 GREEN
1	HOUSING	PA	UL94-V0 GREEN

P	2	3	4	5	6	7	8	9	10	11	12
U	5.00	10.00	15.00	20.00	25.00	30.00	35.00	40.00	45.00	50.00	55.00
V	20.00	25.00	30.00	35.00	40.00	45.00	50.00	55.00	60.00	65.00	70.00
P	13	14	15	16	17	18	19	20	21	22	23
U	60.00	65.00	70.00	75.00	80.00	85.00	90.00	95.00	100.00	105.00	110.00
V	75.00	80.00	85.00	90.00	95.00	100.00	105.00	110.00	115.00	120.00	125.00

RoHS Compliant

HSM 玄茂科技股份有限公司
HSUAN MAO TECHNOLOGY CO., LTD.

APPD. 核准
Betty
DATE 制表日
2018/07/03

SCALE 比例 参考
UNIT 單位 M M
PAGE 張數 1 OF 1

TOLERANCE 容許公差
.0 ±
.00 ±
ANG. ±
SIZE 紙張尺寸 A 4
REV. 版次 A

PART NAME 品名
5.0mm TERMINAL BLOCK XXPIN
30~12AWG GREEN COLOR
WITH EAR ROHS

PART NO. 料號
C0905-XXWYA3TE0R