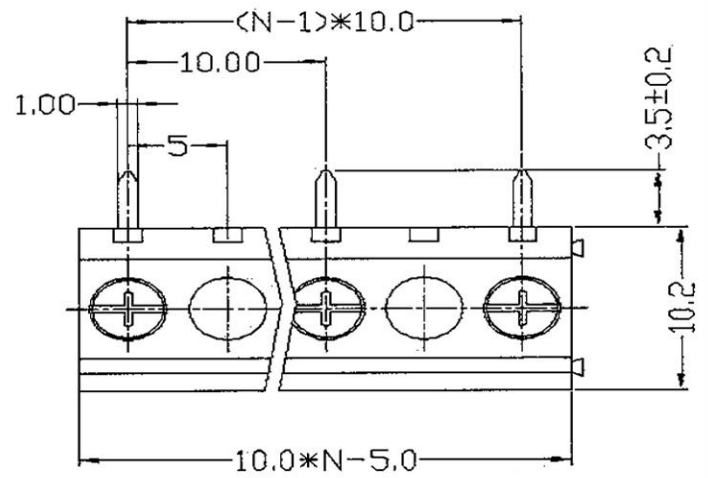


1 2 3 4 5 6 7 8

A

A



B

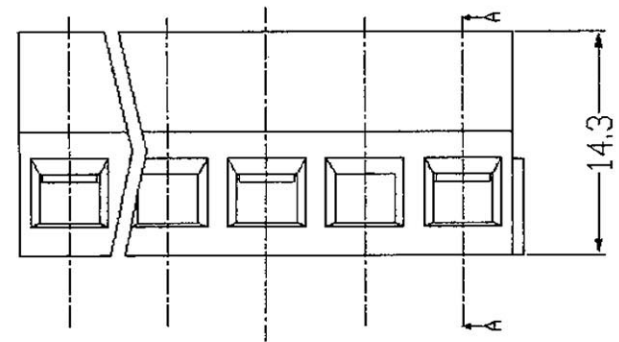
B

C

C

D

D

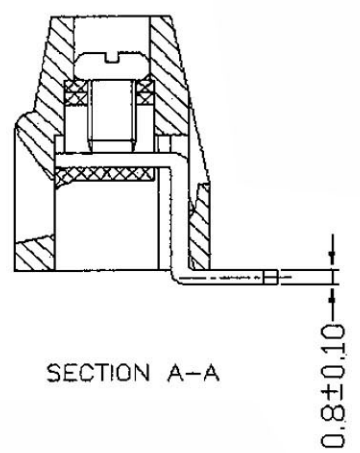


E

E

F

F

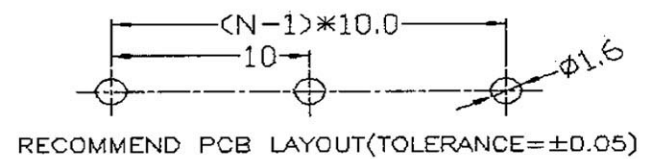


SECTION A-A

- MATERIAL  
 SCREWS : M2.5 STEEL ZINC PLATED  
 CONTACT : BRASS  
 PIN HEADER : BRASS, TIN PLATED  
 HOUSING : PA66, UL94V-0
- ELECTRICAL  
 RATED VOLTAGE : 300V  
 RATED CURRENT : 10A  
 CONTACT RESISTANCE : 20mΩ  
 INSULATION RESISTANCE : 5000MΩ/1000V  
 WITHSTANDING VOLTAGE : AC2000V/1Min  
 WIRE RANGE : 24-12AWG 2.5mm<sup>2</sup>
- MECHANICAL  
 TEMP. RANGE : -40°C ~ 105°C  
 MAX SOLDERING : +250°C, FOR 5 SEC.  
 TORQUE : 0.4Nm(3.6LB.IN)  
 STRUO LEBGTG : 6-7mm

G

G



H

H

APPD. 核准 DWG. HELEN DATE 制表日 2009/6/9		RoHS Compliant		<b>HSM 玄茂科技股份有限公司</b> <b>HSUAN MAO TECHNOLOGY CO., LTD.</b>	
SCALE 比例 参考		TOLERANCE 容許公差 0 ± 0.15 .00 ± 0.10 ANG. ± 1°		PART NAME 品名 10mm TERMINAL BLOCK XXP RIGHT ANGLE TYPE 12-24AWG TIN PLATED ROHS LOW-LEAD	
UNIT 單位 M M		SIZE 板張尺寸 A 4		PART NO. C0902-XXR5TX00R	
PAGE 張數 1 OF 1		REV. 版次 A		料號 C0902-XXR5TX00R	

1 2 3 4 5 6 7 8