

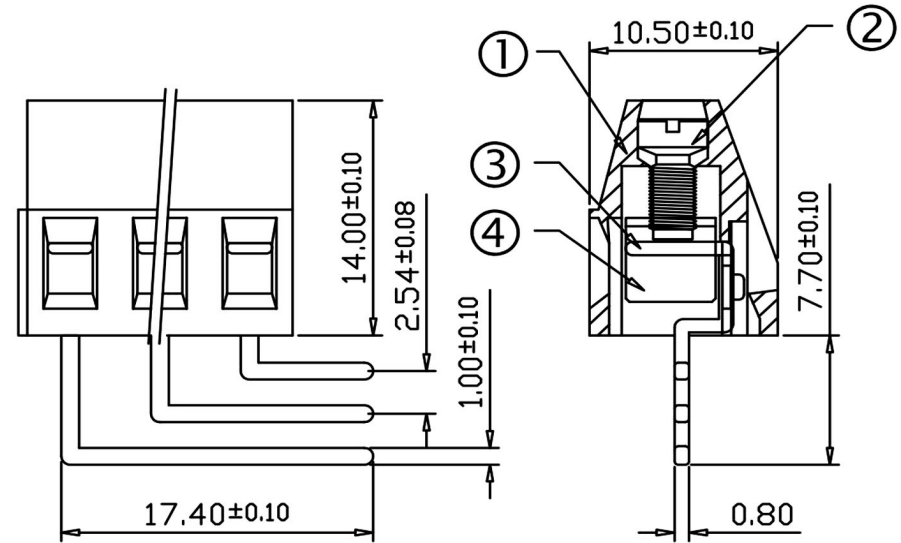
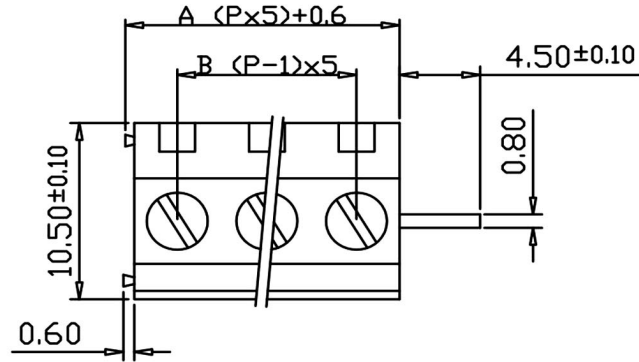
### SPECIFICATIONS

- ① Housing Material: Polyamide 66(UL94V-0), Green
- ② Screw: M2.6 Zinc Plated Steel
- ③ Terminals: Tin Plated Brass
- ④ Wire Clamp: Nickel Plated Brass

Screws Torque: 3.5 In-Lb  
 Wire Range: 16~22 AWG  
 Rated: 10 Amperes.AC250V  
 Operation Temperature: -55°C~+100°C  
 Insulation withstands volt: AC2000V min  
 Insulation resistance: >1000MΩ or more at DC500V

Tolerance ± 0.5

POLE	2	3
A	10.6	15.6
B	5	10



RoHS Compliant		<b>玄茂科技股份有限公司</b> <b>HSUAN MAO TECHNOLOGY CO., LTD.</b>	
APPD. 核准		TOLERANCE 容許公差 .0 ± .00 ± ANG. ±	PART NAME 品名 5.0mm TERMINAL BLOCK XXPIN GREEN INSULATOR RIGHT ANGLE TYPE RIGHT CONTACT SUITABLE FOR 16~22AWG ROHS
DWG. 製圖	Betty	SCALE 比例 參考 UNIT 單位 M M	PART NO. 料號 C0900-XXRRUTE0R
DATE 制表日	2017/04/14	PAGE 張數 1 OF 1 REV. 版次 B	