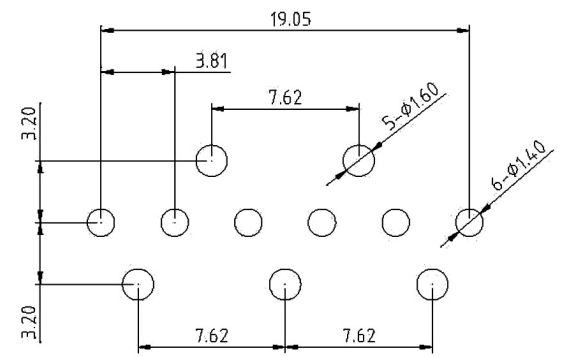
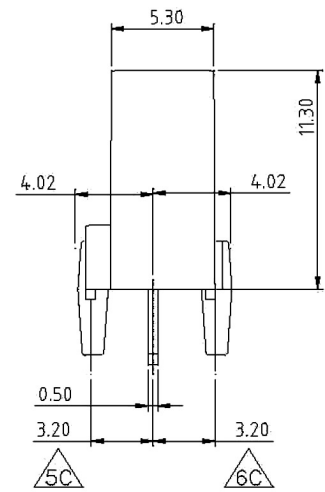
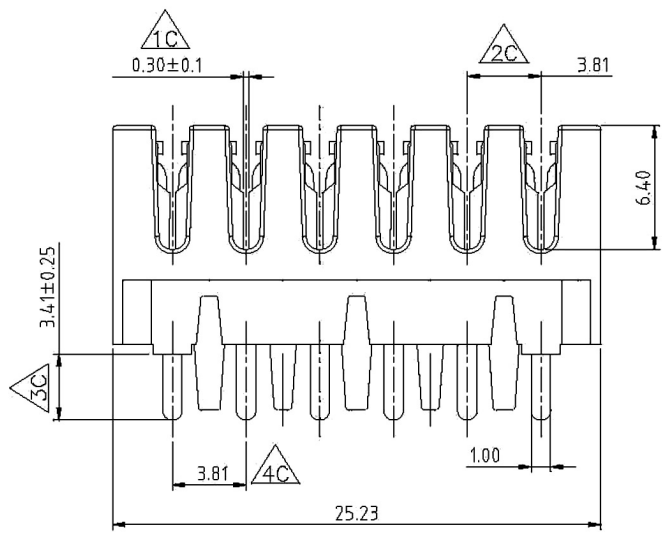
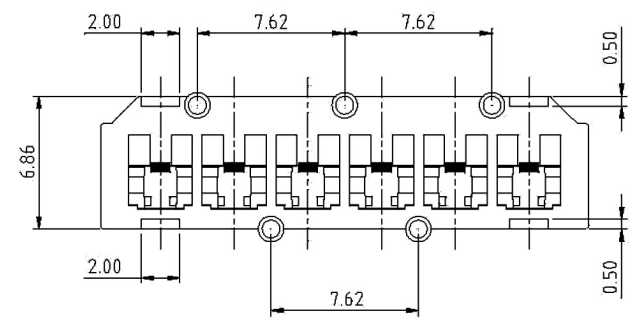


1 2 3 4 5 6 7 8

A
B
C
D
E
F
G
H



PCB LAYOUT/ TOP VIEW



MATERIALS:
 PLASTIC HOUSING: ENGINEERING THERMOPLASTIC
 FLAMMABILITY RATING UL 94V-0.
 COLOUR: GRAY
 CONTACTS: PHOSPHOR BRONZE
 PLATING: TIN PLATING OVER NICKEL.

RoHS Compliant		HSM 玄茂科技股份有限公司 HSUAN MAO TECHNOLOGY CO., LTD.	
APPD. 核准 Hedy	SCALE 比例 參考	TOLERANCE 容許公差	PART NAME 品名
DWG. 製圖 Yumi		UNIT 單位 M M	3.81mm IDC BLOCK 6P DUAL ROW 110 & KRONE TYPE PHOSPHOR BRONZE TIN PLATING GRAY INSULATOR ROHS LOW-LEAD
DATE 制表日 2011/07/27	PAGE 張數 1 OF 1	SIZE. 紙張尺寸 A 4	PART NO. 料號 C0801-06CPTG00R

1 2 3 4 5 6 7 8