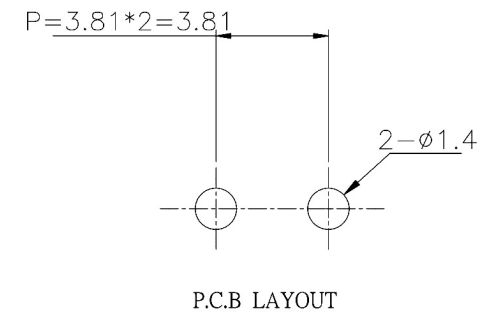
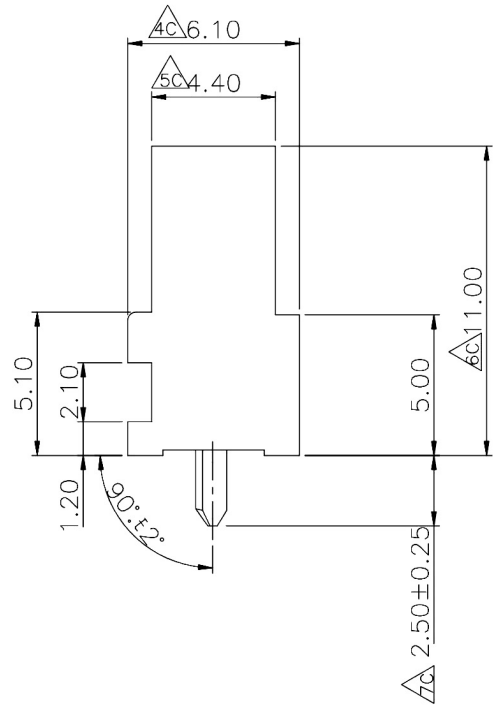
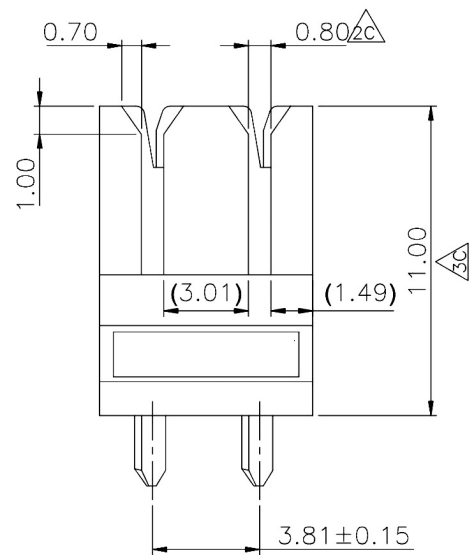
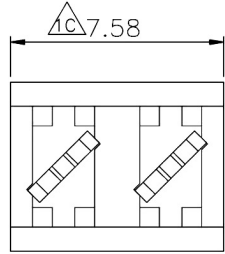


1 2 3 4 5 6 7 8

A
B
C
D
E
F
G
H

A
B
C
D
E
F
G
H



MATERIALS:
 PLASTIC HOUSING:
 ENGINEERING THERMOPLASTIC FLAMMABILITY RATING UL 94V-0.
 STRANDED COLOR : Off White(Cool Gray 1C)
 CONTACTS: PHOSPHOR BRONZE TIN PLATING OVER NICKEL.
 SUITABLE FOR 24~26AW

RoHS Compliant		HSM 玄茂科技股份有限公司 HSUAN MAO TECHNOLOGY CO., LTD.	
APPD. 核准 Betty	SCALE 比例 参考	TOLERANCE .XXX ±0.10 .XX ±0.25 .X ±0.38 X ±0.50 ANG ±3°	PART NAME 品名
DWG. 製圖 Betty			3.81mm IDC BLOCK 2P MINI KRONE TYPE PHOSPHOR BRANZE TIN PLATING IVORY INSULATOR ROHS LOW-LEAD
DATE 制表日 2011/04/20	UNIT 單位 MM	SIZE 紙張尺寸 A 4	PART NO. 料號 C0801-02DPTI00R
	PAGE 張數 1 OF 1	REV. 版次 B	

1 2 3 4 5 6 7 8