

MATERIALS:

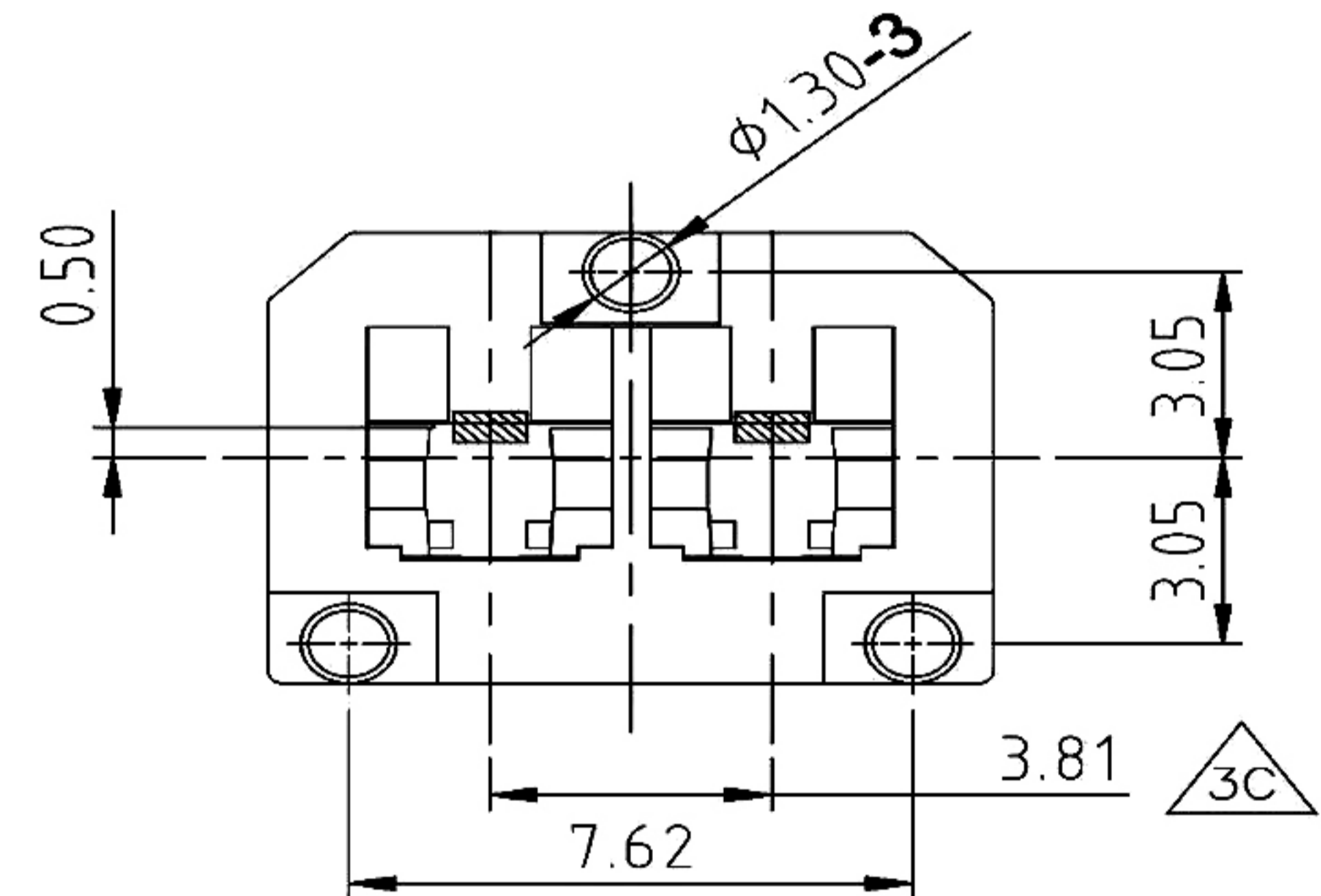
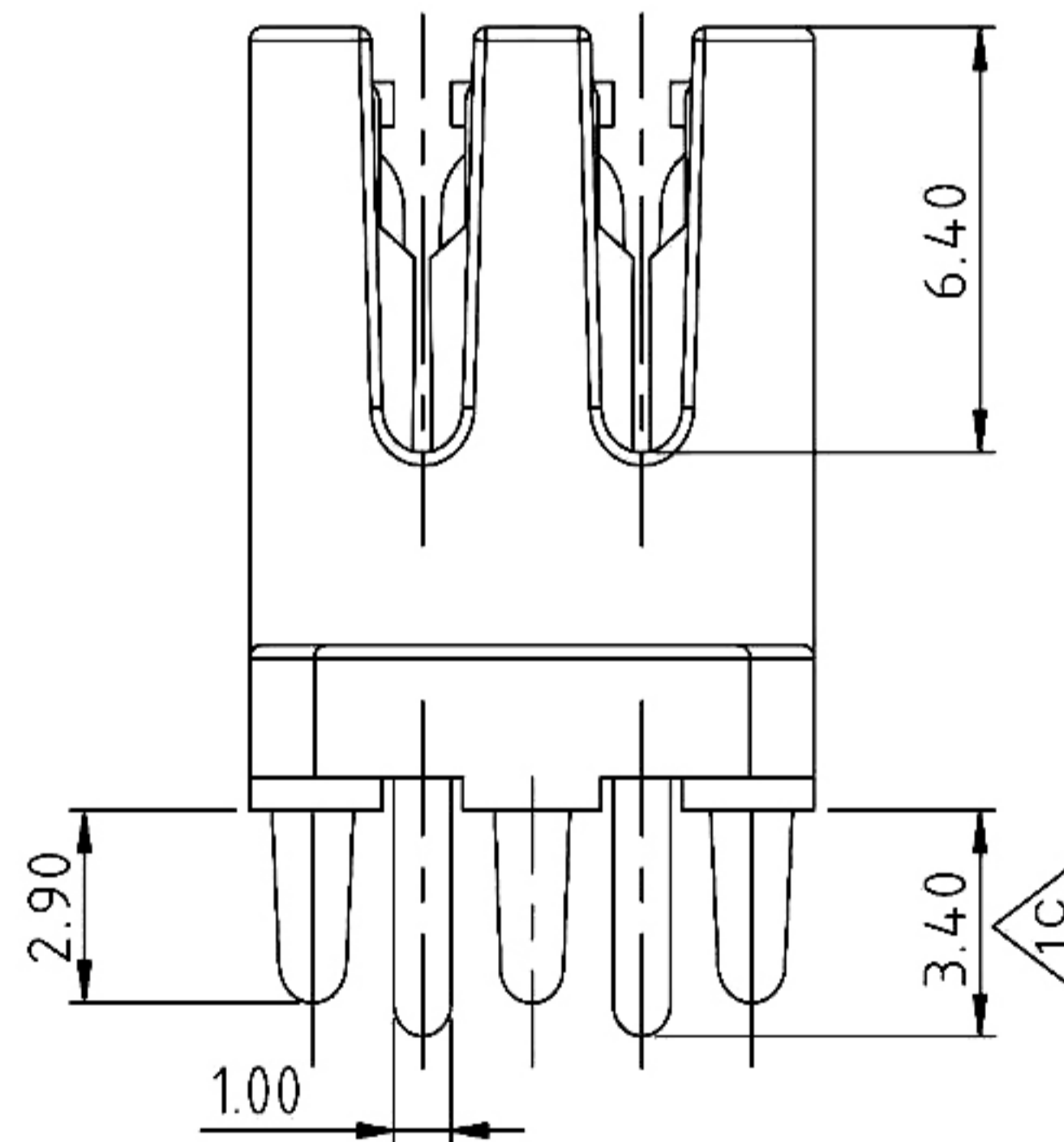
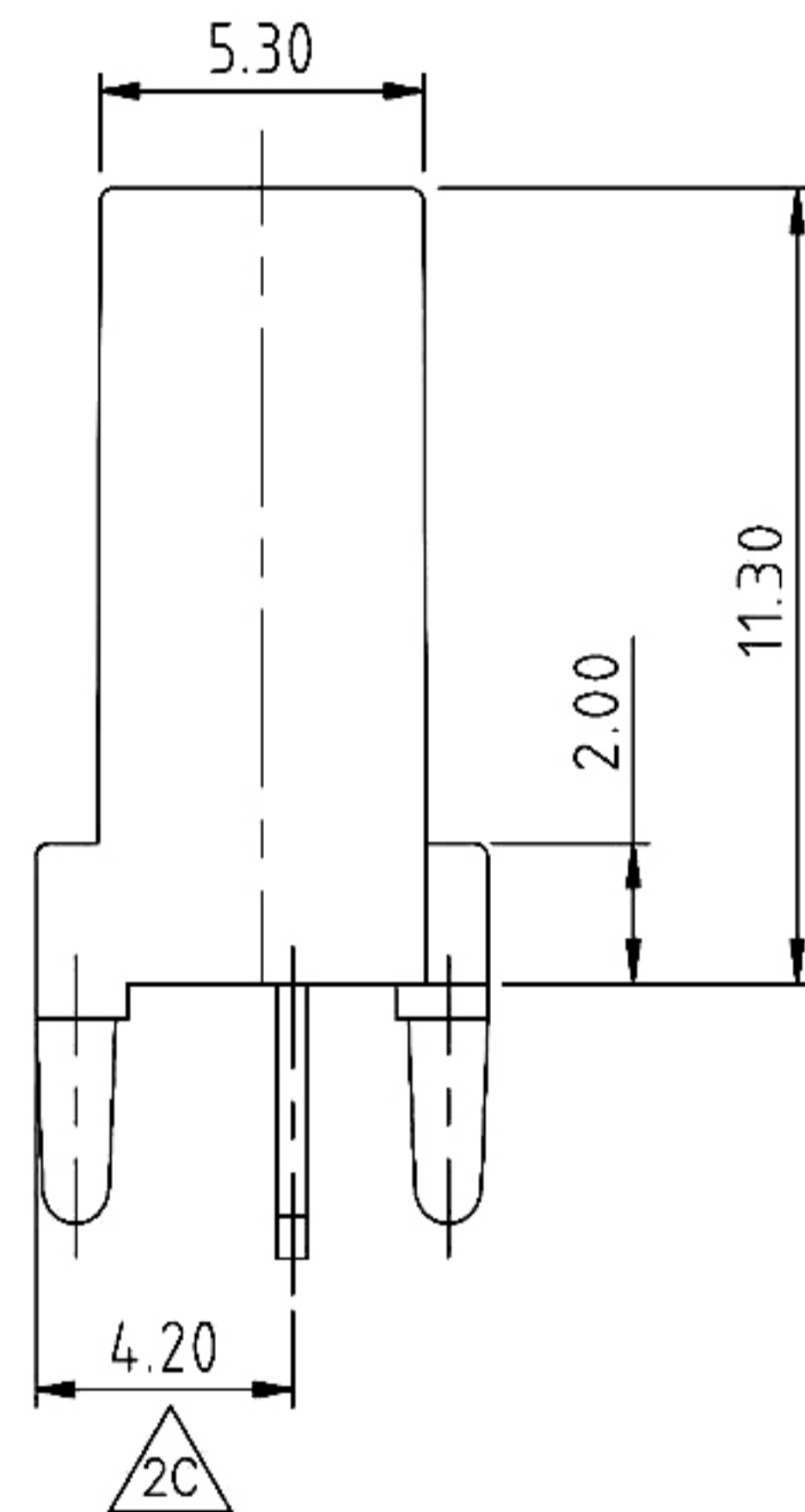
PLASTIC HOUSING: ENGINEERING THERMOPLASTIC
 FLAMMABILITY RATING UL 94V-0.

SUITABLE FOR 24~26 AWG

STRANDED COLOR: GERY

CONTACTS: PHOSPHOR BRONZE

PLATING: TIN PLATING OVER NICKEL.



RoHS Compliant		HSM 玄茂科技股份有限公司 HSUAN MAO TECHNOLOGY CO., LTD.	
APPD. 核准	SCALE 比例 参考	TOLERANCE 容許公差	PART NAME 品名
DWG. 製圖 Helen		.0 ± 0.38 .00 ± 0.25 ANG. ± 3°	3.81mm IDC BLOCK 2P DUAL ROW 110 & KRONE TYPE PHOSPHOR BRANZE TIN PLATING ROHS
DATE 制表日	UNIT 單位 MM	SIZE 紙張尺寸 A4	PART NO. 料號
2012/12/11	PAGE 張數 1 OF 1	REV. 版本 A	C0801-02CPTX00R