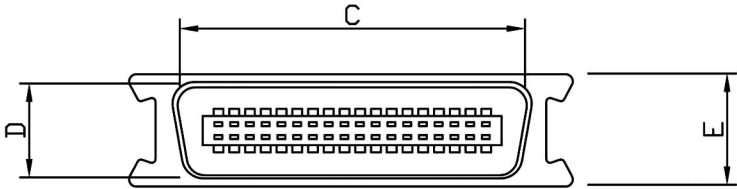
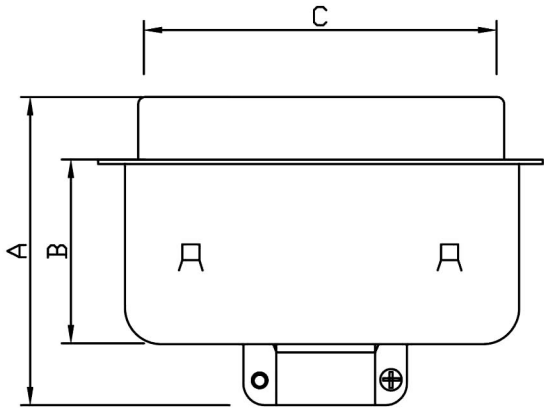
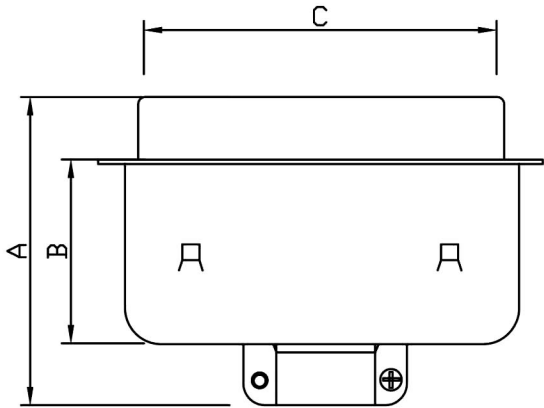
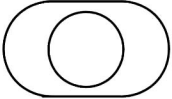
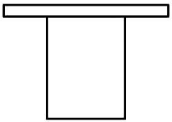


	1	2	3	4	5	6	7	8																																																						
A						<b>ELECTRICAL CHARACTERISTICS:</b> CONTACT CURRENT RATING: 1 AMPERES. DIELECTRIC WITHSTANDING VOLTAGE: AC 500V R.M.S INSULATION RESISTANCE: 500 MEGOHMS MINIMUM AT DC 500V. CONTACT RESISTANCE: 30 MILLIOHMS MAXIMUM. OPERATING TEMPERATURE: -55C TO 105C.																																																								
B																																																														
C						<b>MECHANICAL CHARACTERISTICS:</b> CONTACT INSERTION FORCE: 2.5 KG MAXIMUM. CONTACT SEPARATION FORCE: 2.0 KG MINIMUM.																																																								
D						<b>MATERIALS:</b> CONTACT: BRASS. INSULATOR: P.B.T. UL 94-V0 RATED.(D202G30) SHELL: COLD ROLLED STEEL.(JIS G3141) HOOD: COLD ROLLED STEEL.(JIS G3141)																																																								
E						<b>FINISHES:</b> CONTACTS:GOLD PLATED. SHELL:NICKEL																																																								
F																																																														
G	<table border="1"> <thead> <tr> <th>PART NO.</th> <th>A±0.3</th> <th>B±0.2</th> <th>C±0.2</th> <th>D±0.13</th> <th>E±0.2</th> <th>F±0.2</th> </tr> </thead> <tbody> <tr> <td>14P</td> <td>41.4</td> <td>21.2</td> <td>25.5</td> <td>12.25</td> <td>15.3</td> <td>38.0</td> </tr> <tr> <td>24P</td> <td>38.4</td> <td>20.75</td> <td>36.1</td> <td>12.9</td> <td>15.8</td> <td>48.8</td> </tr> <tr> <td>36P</td> <td>42.4</td> <td>22.6</td> <td>49.3</td> <td>12.25</td> <td>15.3</td> <td>62.0</td> </tr> <tr> <td>50P</td> <td>45.0</td> <td>24.8</td> <td>64.4</td> <td>12.25</td> <td>15.3</td> <td>77.0</td> </tr> </tbody> </table>						PART NO.	A±0.3	B±0.2	C±0.2	D±0.13	E±0.2	F±0.2	14P	41.4	21.2	25.5	12.25	15.3	38.0	24P	38.4	20.75	36.1	12.9	15.8	48.8	36P	42.4	22.6	49.3	12.25	15.3	62.0	50P	45.0	24.8	64.4	12.25	15.3	77.0	<table border="1"> <tr> <td colspan="2"><b>RoHS Compliant</b></td> <td colspan="2"><b>HSM 玄茂科技股份有限公司</b></td> </tr> <tr> <td colspan="2"></td> <td colspan="2"><b>HSUAN MAO TECHNOLOGY CO., LTD.</b></td> </tr> <tr> <td>APPD. 核准 HELEN</td> <td>SCALE 比例 参考</td> <td>TOLERANCE 容許公差 .0 ± .00 ± ANG. ±</td> <td rowspan="2">PART NAME 品名 CENTRONIC SOLDER TYPE XXM W/REAR METAL COVER W/O LATCH NICKEL SHELL GOLD FLASH PLATING BULE SIMPLE INSULATOR ROHS</td> </tr> <tr> <td>DWG. 製圖 ABBY</td> <td>UNIT 單位 MM</td> <td>SIZE. 紙張尺寸 A 4</td> </tr> <tr> <td>DATE 制表日 2016/03/25</td> <td>PAGE 張數 1 / 1</td> <td>REV. 版次 A</td> <td>PART NO. 料號 C0710-XXMD0GL0R</td> </tr> </table>		<b>RoHS Compliant</b>		<b>HSM 玄茂科技股份有限公司</b>				<b>HSUAN MAO TECHNOLOGY CO., LTD.</b>		APPD. 核准 HELEN	SCALE 比例 参考	TOLERANCE 容許公差 .0 ± .00 ± ANG. ±	PART NAME 品名 CENTRONIC SOLDER TYPE XXM W/REAR METAL COVER W/O LATCH NICKEL SHELL GOLD FLASH PLATING BULE SIMPLE INSULATOR ROHS	DWG. 製圖 ABBY	UNIT 單位 MM	SIZE. 紙張尺寸 A 4	DATE 制表日 2016/03/25	PAGE 張數 1 / 1	REV. 版次 A	PART NO. 料號 C0710-XXMD0GL0R
PART NO.	A±0.3	B±0.2	C±0.2	D±0.13	E±0.2	F±0.2																																																								
14P	41.4	21.2	25.5	12.25	15.3	38.0																																																								
24P	38.4	20.75	36.1	12.9	15.8	48.8																																																								
36P	42.4	22.6	49.3	12.25	15.3	62.0																																																								
50P	45.0	24.8	64.4	12.25	15.3	77.0																																																								
<b>RoHS Compliant</b>		<b>HSM 玄茂科技股份有限公司</b>																																																												
		<b>HSUAN MAO TECHNOLOGY CO., LTD.</b>																																																												
APPD. 核准 HELEN	SCALE 比例 参考	TOLERANCE 容許公差 .0 ± .00 ± ANG. ±	PART NAME 品名 CENTRONIC SOLDER TYPE XXM W/REAR METAL COVER W/O LATCH NICKEL SHELL GOLD FLASH PLATING BULE SIMPLE INSULATOR ROHS																																																											
DWG. 製圖 ABBY	UNIT 單位 MM	SIZE. 紙張尺寸 A 4																																																												
DATE 制表日 2016/03/25	PAGE 張數 1 / 1	REV. 版次 A	PART NO. 料號 C0710-XXMD0GL0R																																																											
H	1	2	3	4	5	6	7	8																																																						