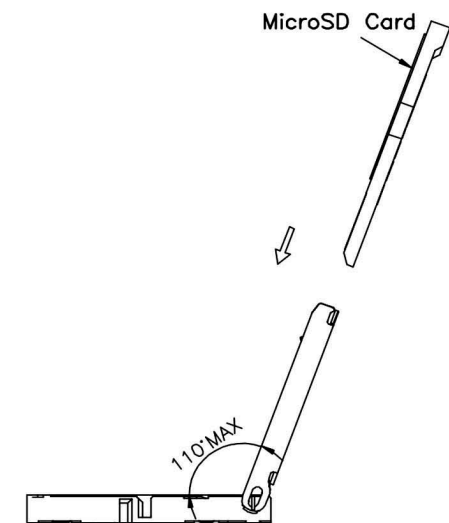
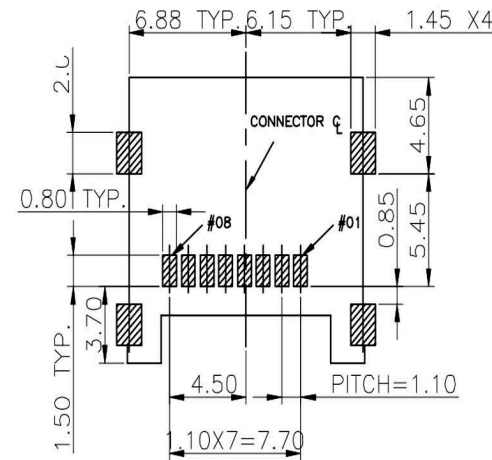


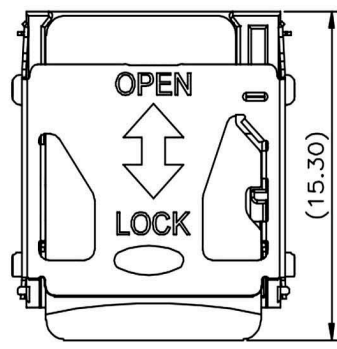
- NOTES:
- MATERIAL:
 INSULATOR: HIGH TEMPERATURE THERMO PLASTIC
 FLAMMABILITY RATING: UL94V-0 COLOR: BLACK
 CONTACT: COPPER ALLOYS
 COVER: STAINLESS STEEL
 - CONTACT AREA PLATING: GOLD 15U" OVER NI
 - SOLDER TAIL COPLANARITY MUST BE WITHIN 0.10MAX.



PIN NO.	NAME
#01	DAT2
#02	CD/DAT3
#03	CMD
#04	VDD
#05	CLK
#06	VSS
#07	DAT0
#08	DAT1



RECOMMENDED PCB LAYOUT(TOP VIEW)
 GENERAL TOLERANCES:±0.05
 SOLDER AREA



RoHS Compliant		HSM 玄茂科技股份有限公司 HSUAN MAO TECHNOLOGY CO., LTD.	
APPD. 核准 Betty	SCALE 比例 参考 UNIT 單位 M M PAGE 張數 1 OF 1	TOLERANCE 公差 .X ±0.30 .XX ±0.20 .XXX ±0.10 SIZE 尺寸 A 4 REV. 版次 A	PART NAME 品名 MICRO SD CARD CONNECTOR (T-FLASH) 8PIN H=1.9mm SMT TYPE CONTACT AREA:GOLD 15U" OTHER AREA:GOLD FLASH PLATING BLACK COLOR REEL PACKING ROHS PART NO. 料號 C0672-08DAC1BR0R
DATE 制表日 2023/06/12			