

NOTES:

1. MATERIAL:

- 1.1 Housing: High Temperature Thermoplastic
UL94V-0; Color Black.
- 1.2 Terminal: Copper Alloy.
- 1.3 Shell: Stainless Steel.

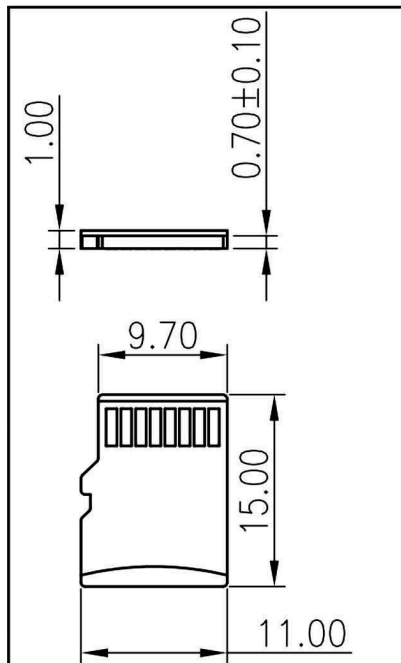
2. PLATING:

- 2.1 Contact: Contact Area: Au G/F, Solder area: Matte tin
80u"Min ; Under plate Ni 30u"Min all over
- 2.2 CD PIN: Contact Area: Au G/F, Solder area: Matte tin
80u"Min ; Under plate Ni 30u"Min all over
- 2.3 SHELL: PLATE 30u" NICKEL MIN OVER ALL

3. SPECIALITY:

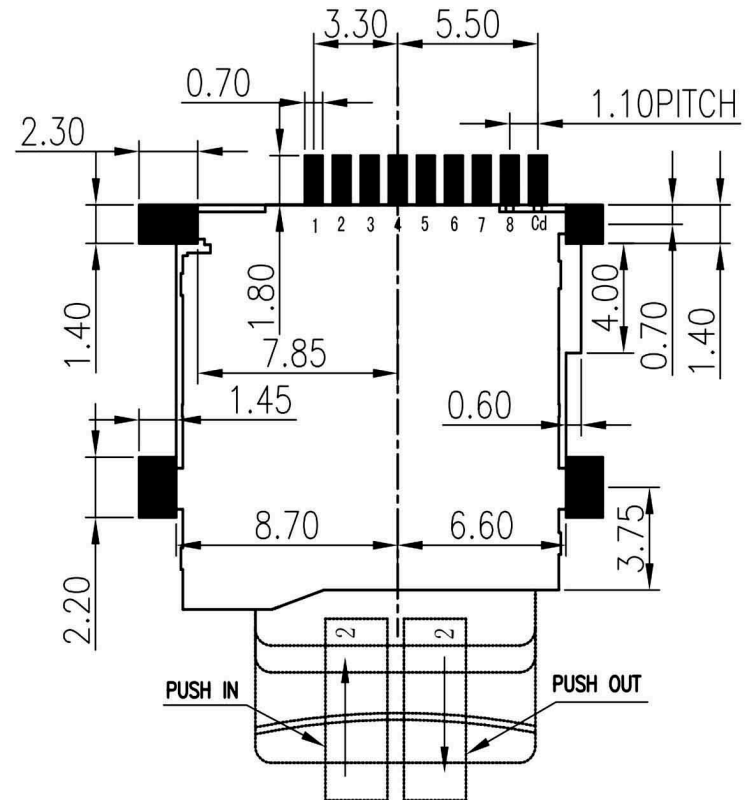
- 3.1 Rated current: 1.0A
- 3.2 Rated voltage: 30V
- 3.3 Contact Resistance: 50mΩ MAX
- 3.4 Insulation Resistance: 1000MΩ MIN 500V DC
- 3.5 Dielectric withstanding voltage: 500V AC.
- 3.6 Solder ability: 255±5°C, 5±0.5s.
- 3.7 Durability: 10000 Cycles Min.
- 3.8 Operating condition: Temperature -40°C ~ +85°C;
Humidity 80% R.H MAX

<p>RoHS Compliant</p>		<p>HSM 玄茂科技股份有限公司 HSUAN MAO TECHNOLOGY CO., LTD.</p>											
<p>APPD. 核准</p>		<p>TOLERANCE</p> <table border="1"> <tr> <th>MILLIMETERS</th> <th>INCH</th> </tr> <tr> <td>X' ± Z'</td> <td>X' ± Z'</td> </tr> <tr> <td>X ± 0.30</td> <td>XX ± 0.012</td> </tr> <tr> <td>XX ± 0.20</td> <td>XXX ± 0.008</td> </tr> <tr> <td>XXX ± 0.10</td> <td>XXXX ± 0.004</td> </tr> </table>	MILLIMETERS	INCH	X' ± Z'	X' ± Z'	X ± 0.30	XX ± 0.012	XX ± 0.20	XXX ± 0.008	XXX ± 0.10	XXXX ± 0.004	<p>PART NAME 品名</p> <p>T-FLASH CONNECTOR PUSH-PUSH REVERSE & OFFSET TYPE 8PIN SMT TYPE OFFSET HEIGHT: 1.1mm SELECTIVE GOLD PLATING WITHOUT LOCATING PEG BLACK COLOR REEL PACKING</p>
MILLIMETERS	INCH												
X' ± Z'	X' ± Z'												
X ± 0.30	XX ± 0.012												
XX ± 0.20	XXX ± 0.008												
XXX ± 0.10	XXXX ± 0.004												
<p>DWG. 製圖</p> <p>Betty</p>	<p>SCALE 比例 參考</p>	<p>UNIT 單位</p> <p>MM</p>	<p>PART NO.</p> <p>料號 C0667-08DASNBRR</p>										
<p>DATE 制表日</p> <p>2022/01/20</p>	<p>PAGE 張數</p> <p>1 OF 3</p>	<p>SIZE. 紙張尺寸</p> <p>A 4</p>	<p>REV. 版次</p> <p>A</p>										



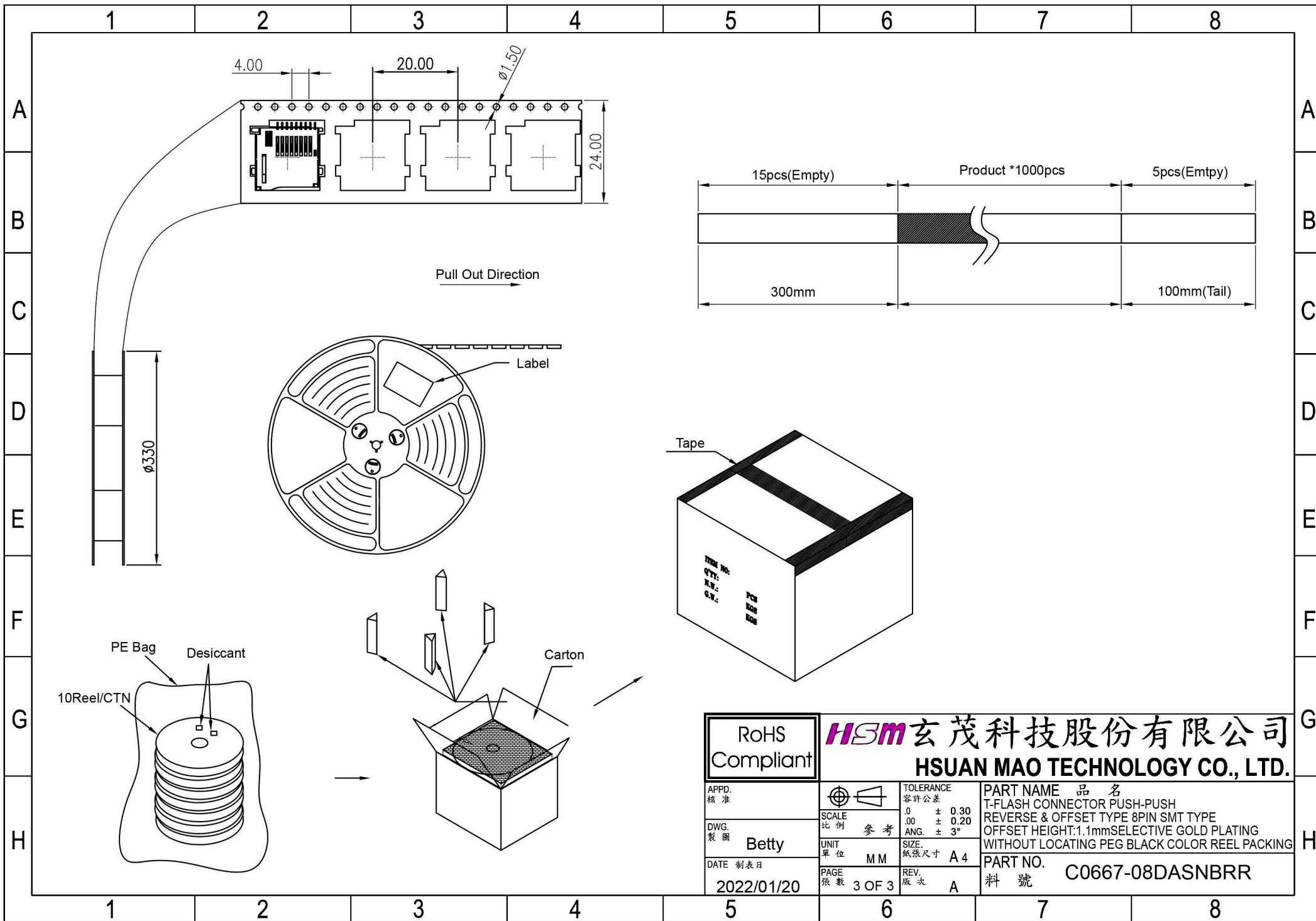
T-Flash

PIN NO.	NAME	YTYPE	DESCRIPTION
1	DAT2	I/O/PP	DATE LINE(BIT2)
2	CD/DAT3	I/O/PP	CARD DETECT DATE LIN(BIT3)
3	CMD	PP	COMMAND RESPONSE
4	VDD	S	SUPPLY VOLTAGE
5	CLX	I	CLOCK
6	VSS	S	SUPPLY VOLTAGE GROUND
7	DATO	I/O/PP	DATE LINE(BIT0)
8	DAT1	I/O/PP	DATE LINE(DIT1)



RECOMMENDED P.C.B HOLE LAYOUT
COMPONENT SIDE VIEW(TOLERANCE: +/-0.05)

RoHS Compliant		玄茂科技股份有限公司 HSUAN MAO TECHNOLOGY CO., LTD.	
APPD. 核准	SCALE 比例 参考	 TOLERANCE MILLIMETERS X' ± Z' X' ± Z' .X ± 0.30 .XX ± 0.012 .XX ± 0.20 .XXX ± 0.008 .XXX ± 0.10 .XXXX ± 0.004	PART NAME 品名 T-FLASH CONNECTOR PUSH-PUSH REVERSE & OFFSET TYPE 8PIN SMT TYPE OFFSET HEIGHT: 1.1mm SELECTIVE GOLD PLATING WITHOUT LOCATING PEG BLACK COLOR REEL PACKING
DWG. 製圖 Betty	UNIT 單位 MM	SIZE. 紙張尺寸 A 4	PART NO. 料號 C0667-08DASNBR
DATE 製表日 2022/01/20	PAGE 張數 2 OF 3	REV. 版次 A	



RoHS Compliant		 玄茂科技股份有限公司 HSUAN MAO TECHNOLOGY CO., LTD.	
APPD. 核准	SCALE 比例	TOLERANCE 容許公差	PART NAME 品名
DWG. 製圖	Betty	.0 ± 0.30 .00 ± 0.20 ANG. ± 3°	T-FLASH CONNECTOR PUSH-PUSH REVERSE & OFFSET TYPE 8PIN SMT TYPE OFFSET HEIGHT:1.1mmSELECTIVE GOLD PLATING WITHOUT LOCATING PEG BLACK COLOR REEL PACKING
DATE 制表日	UNIT 單位	SIZE. 紙張尺寸	PART NO.
2022/01/20	M M	A 4	C0667-08DASNBR
	PAGE 張數	REV. 版次	料號
	3 OF 3	A	