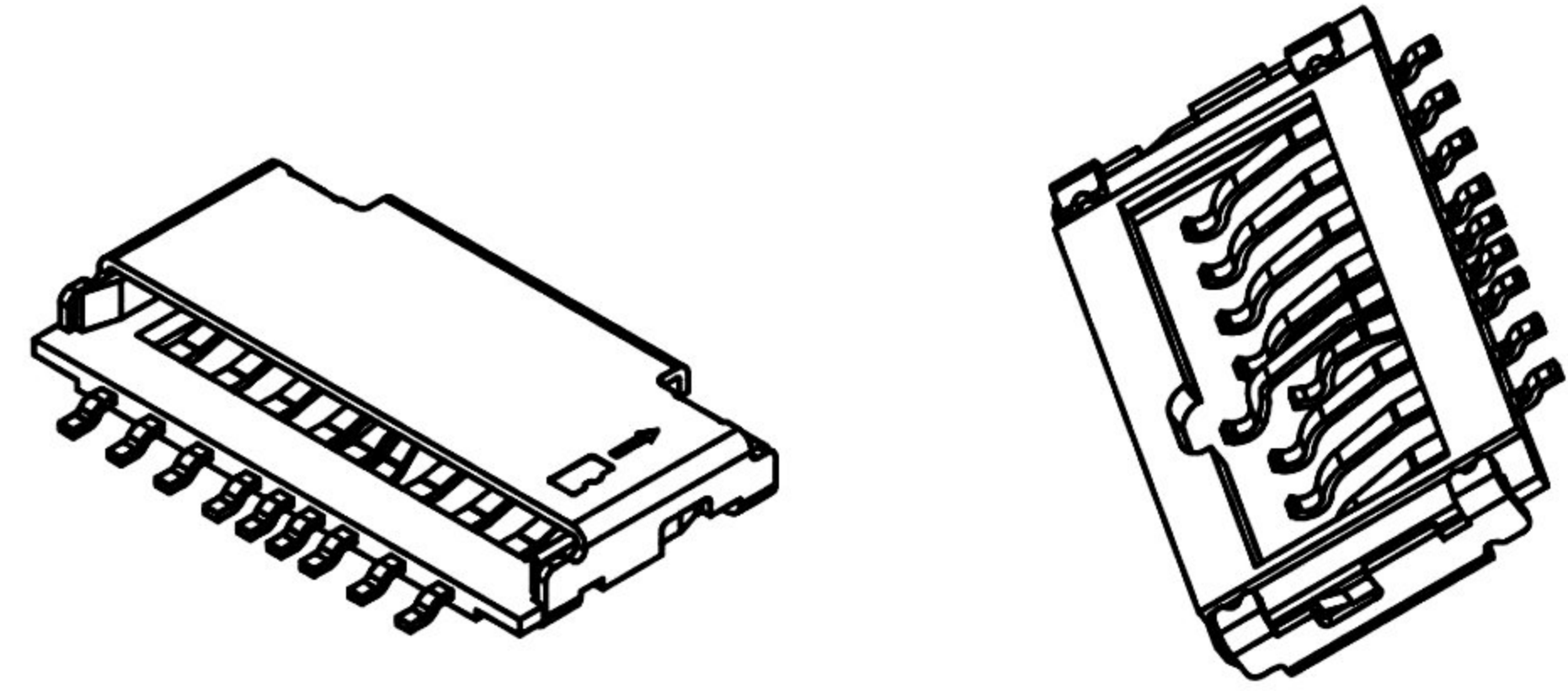
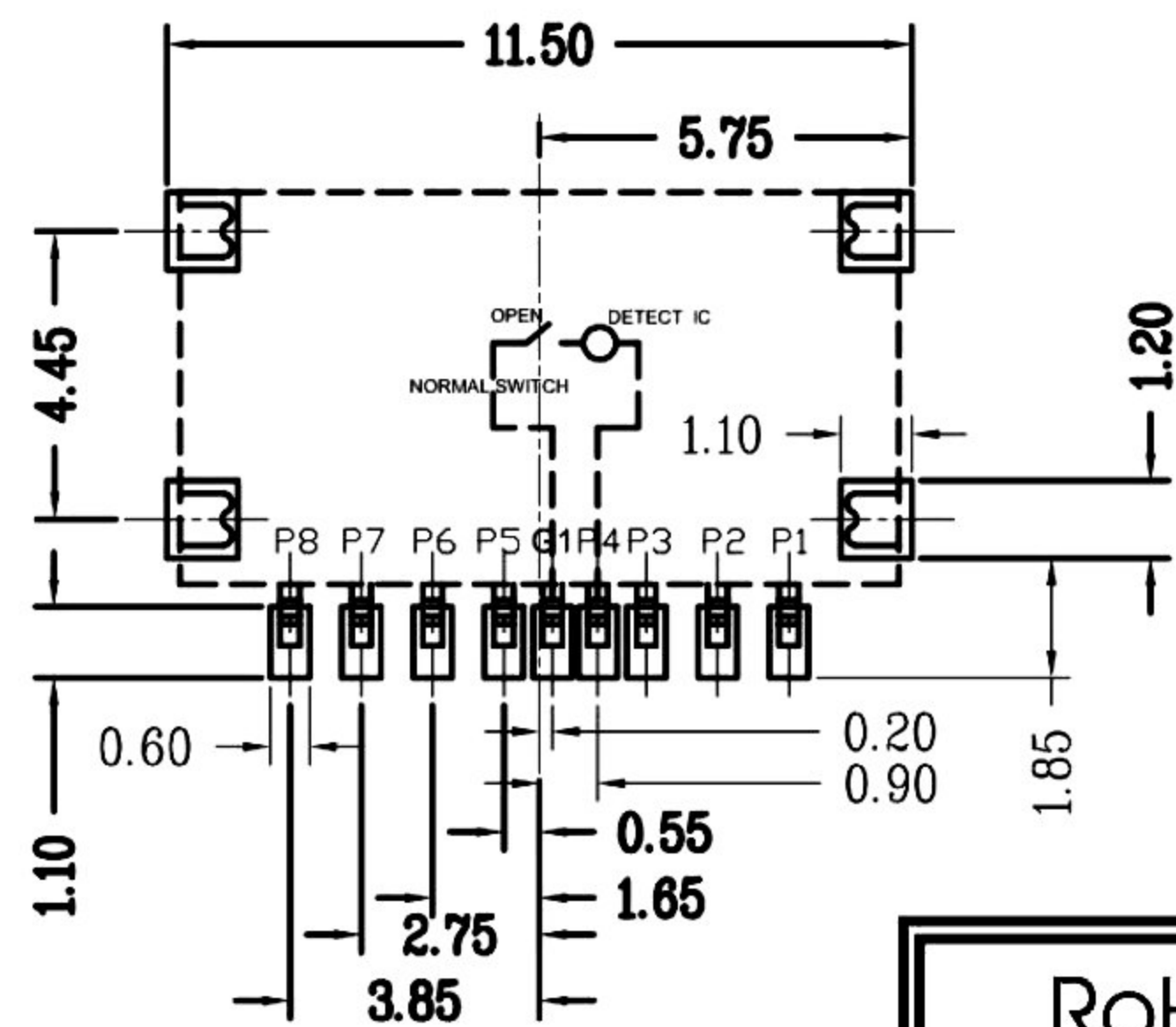
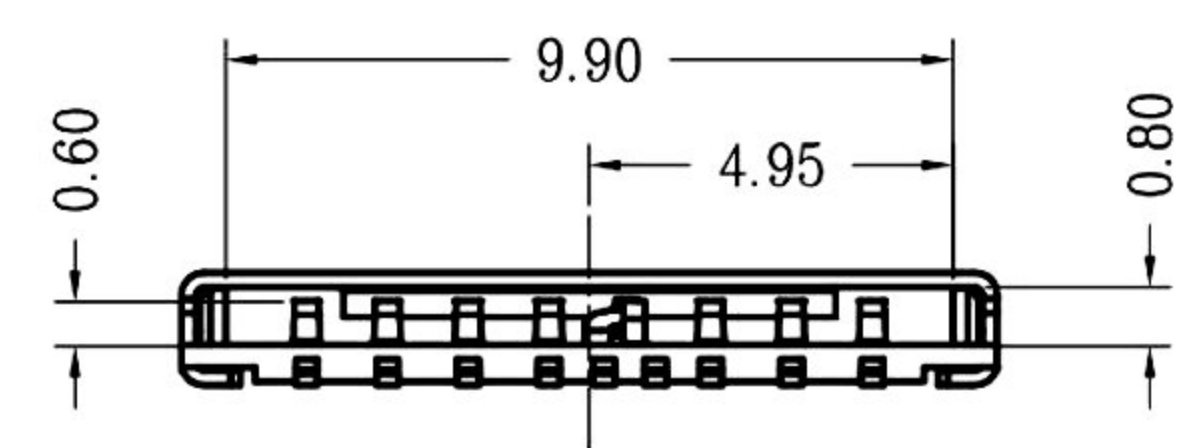
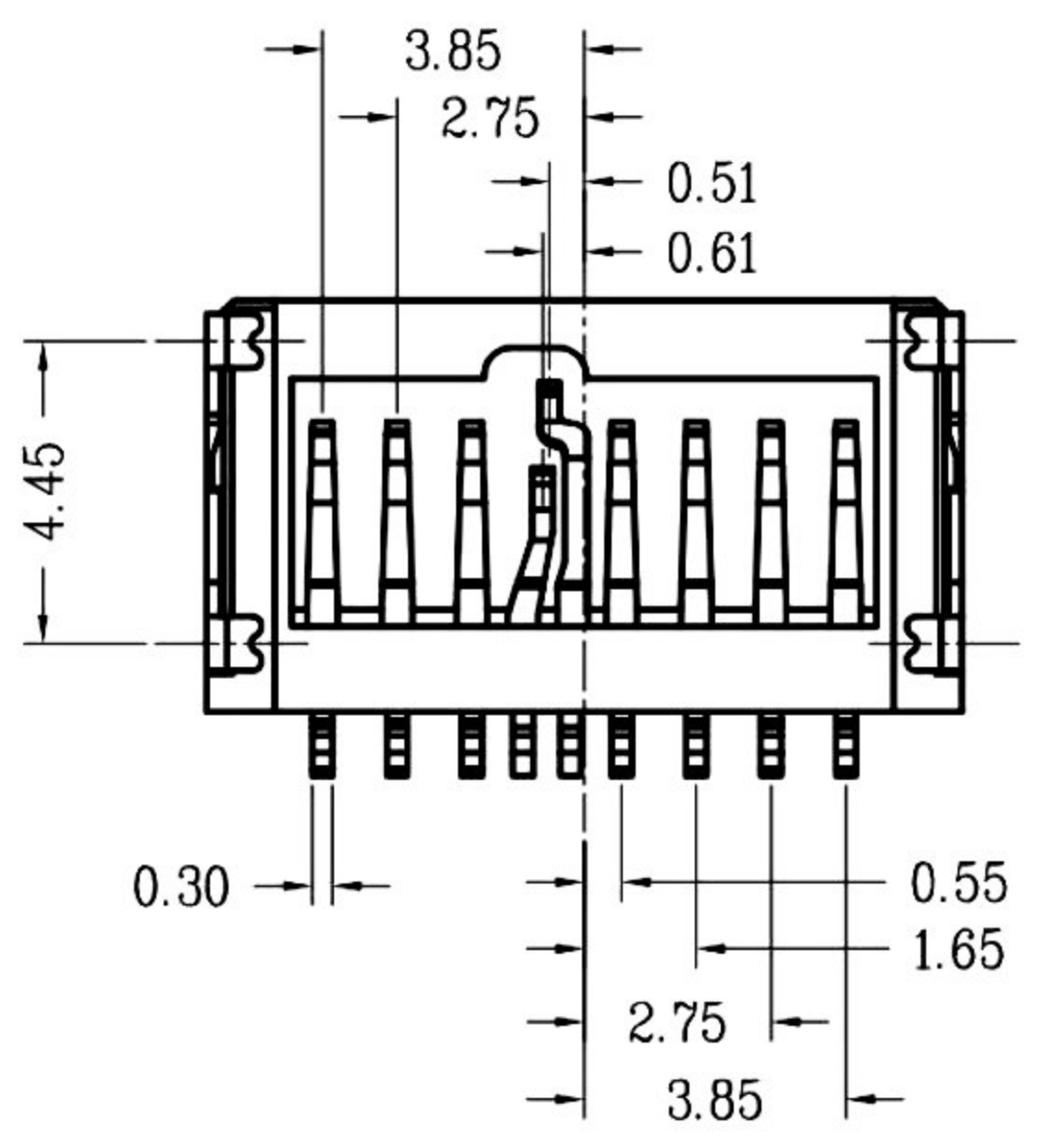
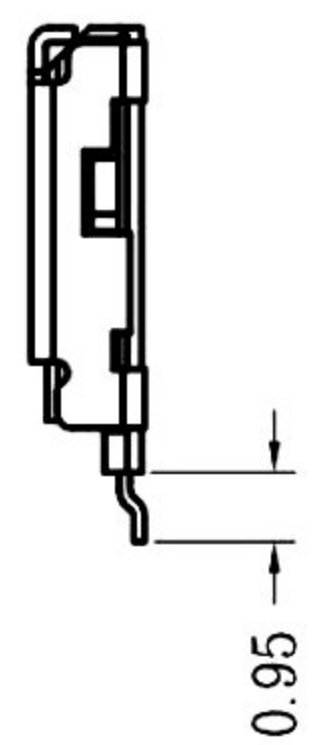
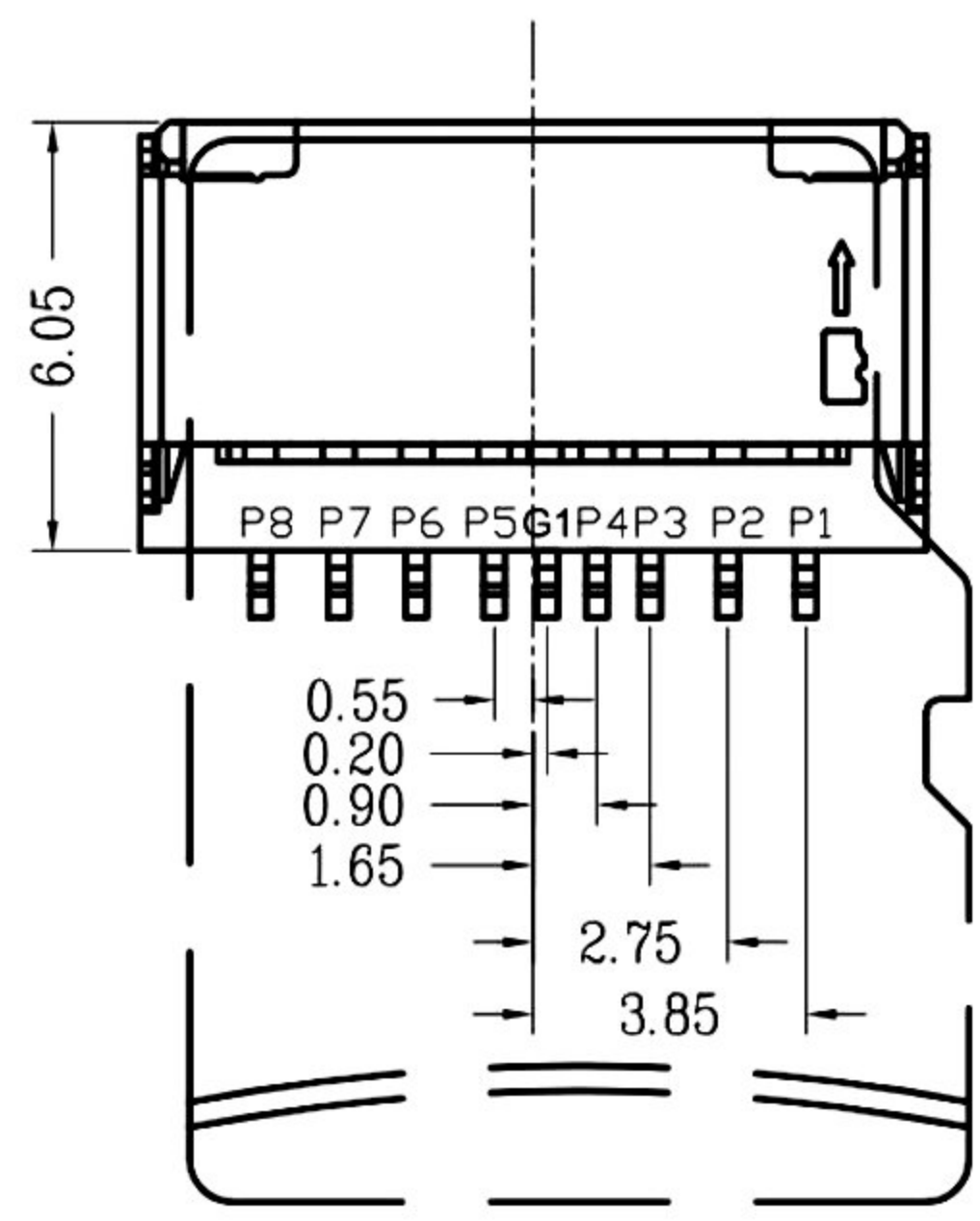
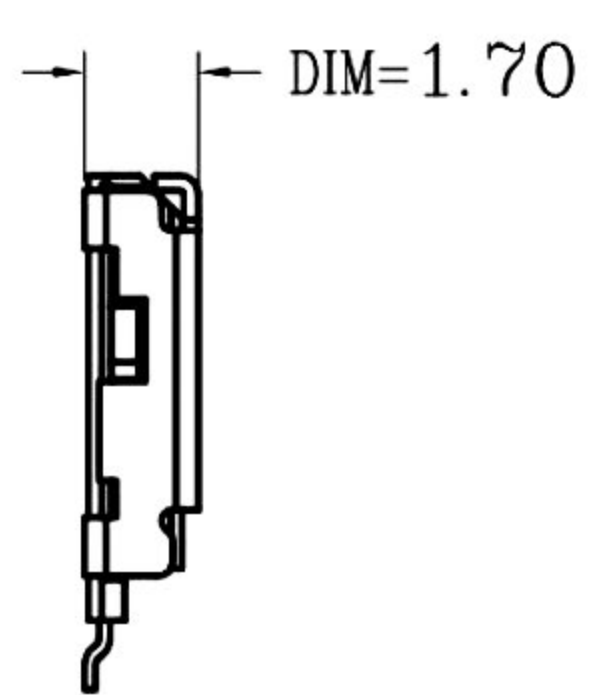
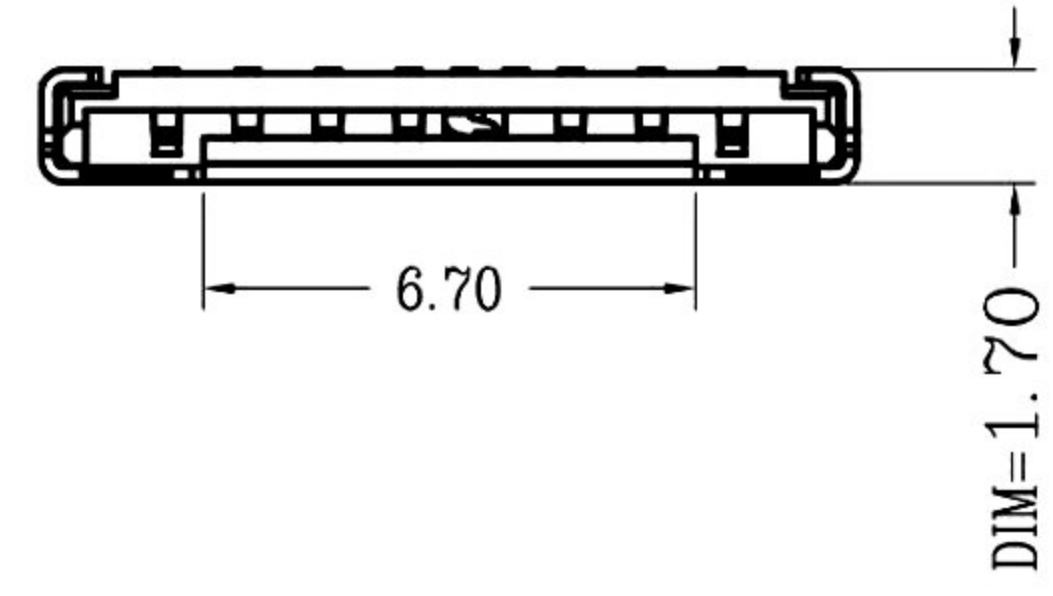


1 2 3 4 5 6 7 8

A
B
C
D
E
F
G
H

A
B
C
D
E
F
G
H



RECOMMENDED PCB LAYOUT
TOLERANCES ±0.05

NOTE:

1.MATERIAL:

HOUSING: HGH THERMOPLASTIC UL 94-V0 BLACK
SIGNAL TERMINAL: COPPERY ALLOY;
SHELL: STAINLESS STEEL;

2.FINISH:

SIGNAL TERMINAL: 1.25-6.25 MICRON NICKEL MIN UNDER-PLATED, GOLD FLASH PLATED ON CONTACT AREA;
SHELL: 1.25 MICRON MIN NICKEL PLATING OVER ALL GOLD FLASH PLATED ON SOLDER AREA;

3.ELECTRICAL CHARACTERISTICS

CONTACT RESISTANCE: 80m OHMS MAX;
INSULATION RESISTANCE: 1,000M OHMS MIN;
DIELECTRIC WITHSTANDING VOLTAGE: 500V AC MIN FOR 1 MINUTE;

4.MECHANIAL CHARACTERISTICS

RETENTION FORCE: 100GF/PIN MIN;
DURABILITY: 5,000 CYCLES;

5.PIN ASSIGNMENT TABLE:

G1	SWITCH
P8	DAT1
P7	DAT0
P6	VSS
P5	CLK
P4	VDD
P3	CMD
P2	CD/DAT3
P1	DAT2
PIN NO.	PIN NAME

RoHS
Compliant

HSM 玄茂科技股份有限公司
HSUAN MAO TECHNOLOGY CO., LTD.

APPD. 核准 HELEN
DWG. 製圖 ABBY
DATE 制表日 2019/12/18

TOLERANCE
.0 ±0.3
.00 ±0.2
.000 ±0.1
ANG. ±2°
SCALE 比例 參考
UNIT 單位 MM
PAGE 張數 1 OF 1
REV. 版次 B

PART NAME 品名
MICRO SD CARD CONNECTOR 8P H=1.7mm
SMT TYPE SELECTIVE GOLD PLATING
WITH SWITCH BLACK COLOR REEL PACKING ROHS
PART NO. 料號 C0645-08DSYBR0R

1 2 3 4 5 6 7 8