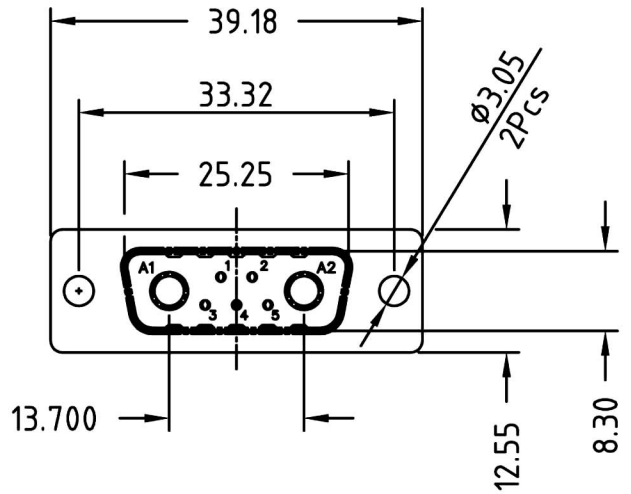
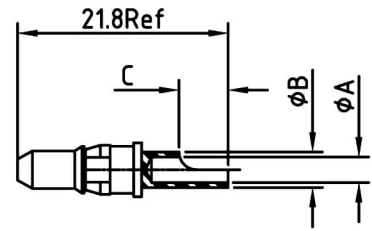


1 2 3 4 5 6 7 8

A
B
C
D
E
F
G
H



Power Type

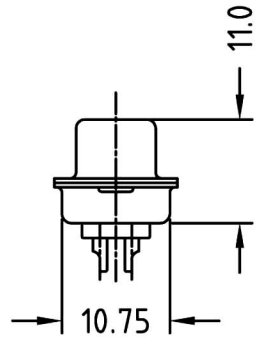
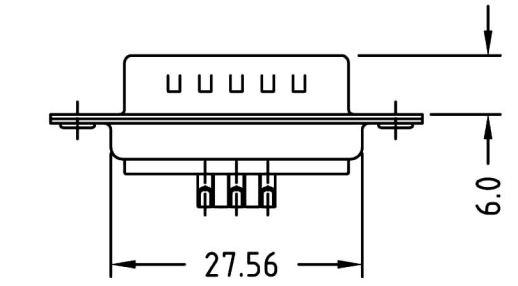


ELECTRICAL CHARACTERISTICS

Dielectric withstanding Voltage: 1000VAC for one minute at sea level.
 Insulation Resistance: >1000MΩ
 High power contact resistance: <27mΩ
 Connector mating and unmating force: 17.0 kgf max.
 Operating Temperature: -55°C to +105°C

MATERIAL

Insulator: PBT UL 94V-0 Rated.
 Power Contact: Brass.
 Shell: SPCC.



PART NO.	Current Rating	Dimension		
		φA	φB	C
C0590-CMCAXX0BR	20 Amps	φ2.7	φ3.6	5.0
C0590-CMDAXX0BR	40 Amps	φ4.6	φ5.5	5.5

RoHS Compliant

HSM 玄茂科技股份有限公司
HSUAN MAO TECHNOLOGY CO., LTD.

APPD. 核准 Betty	 SCALE 比例 參考 UNIT 單位 M M PAGE 張數 1 / 1	TOLERANCE 容許公差 X ±0.30 ANG: ±2' XX ±0.25 XXX ±0.130	PART NAME 品名 D-SUB COAXIAL SOLDER TYPE 7W2 MALE ??AMP THROUGH HOLE POWER CONTACT BLACK INSULATOR ROHS LOW-LEAD
DWG. 製圖 Jolin		DATE 制表日 2007/03/23	
		PART NO. 料號 C0590-CMC(D)AXX0BR	

1 2 3 4 5 6 7 8