

**"D-SUB" CONNECTOR WIRE WRAP STRAIGHT
DIP TYPE "PLUG" MACHINED PIN**

**MATERIAL & FINISH
SHELL :**
NICKEL PLATED
OR TIN PLATED

PIN CONTACT
PHOSPHOR BRONZE
GOLD PLATED OVER NICKEL

INSULATOR :
PBT & GLASS-FIBRE REINFORCED
UL-94-V0

NUMBER OF CONTACT
9, 15, 25, 37, 50

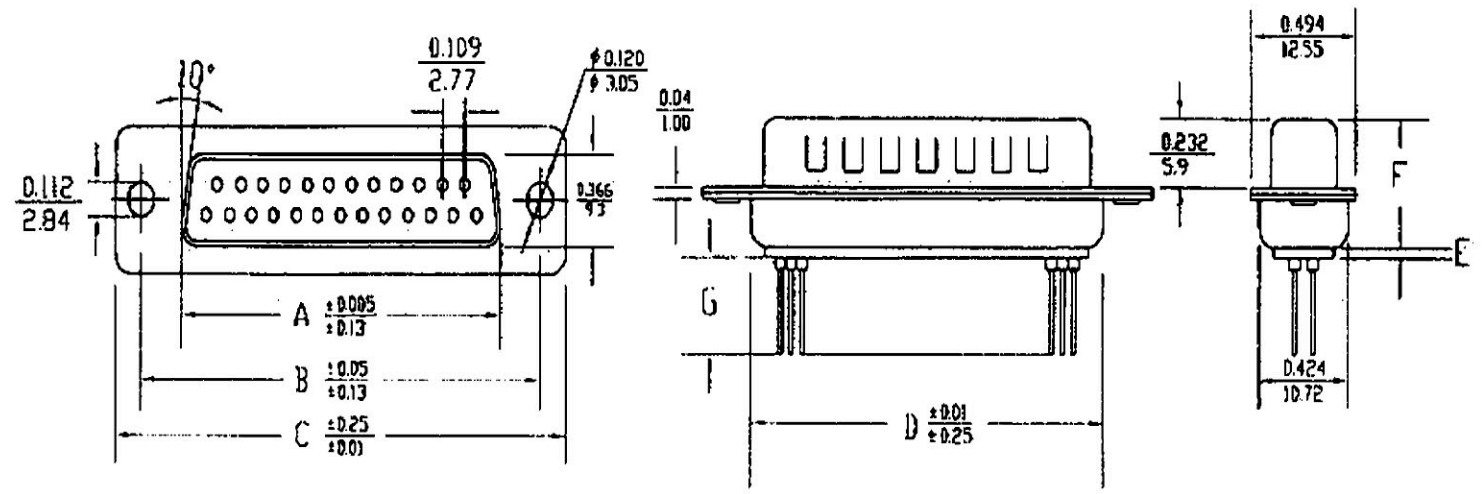
CURRENT RATING
5 amp.

DIELECTRIC STRENGTH :
1000V FOR ONE MINUTE

INSULATOR RESISTANCE :
1000MΩMIN. at 500V DC

TEMPERATURE :
-55° C ~ +105° C

ITEM NO.	A	B	C	D	E	F	G
9P	16.92(0.666)	24.99(0.984)	30.81(1.213)	19.28(0.759)	1.2(0.047)	11.0(0.433)	13.0(0.512)
15P	25.25(0.994)	33.32(1.312)	39.14(1.541)	27.51(1.083)	1.2(0.047)	11.0(0.433)	13.0(0.512)
25P	38.96(1.534)	47.04(1.852)	53.04(2.088)	41.3(1.625)	1.2(0.047)	11.0(0.433)	13.0(0.512)
37P	55.42(2.182)	63.50(2.500)	69.32(2.729)	57.71(2.272)	1.2(0.047)	11.0(0.433)	13.0(0.512)
50P	52.86(2.081)	61.11(2.406)	66.92(2.634)	55.30(2.177)	1.2(0.047)	11.0(0.433)	13.0(0.512)



RoHS Compliant		HSM 玄茂科技股份有限公司 HSUAN MAO TECHNOLOGY CO., LTD.	
APPD. 核准	SCALE 比例	TOLERANCE 容許公差 0 ± 0.3 .00 ± ANG ±	PART NAME 品名 D-SUB PCB STRAIGHT MACHINED PIN WIRE WRAP TYPE XXP MALE WHITE PIN LENGTH=13mm ROHS LOW-LEAD
DWG. 製圖 HELEN	UNIT 單位 MM	SIZE. 紙張尺寸 A4	PART NO. 料號 C0576-XXMAAXXWR
DATE 制表日 2009/11/4	PAGE 張數 1 OF 1	REV. 版本 A	