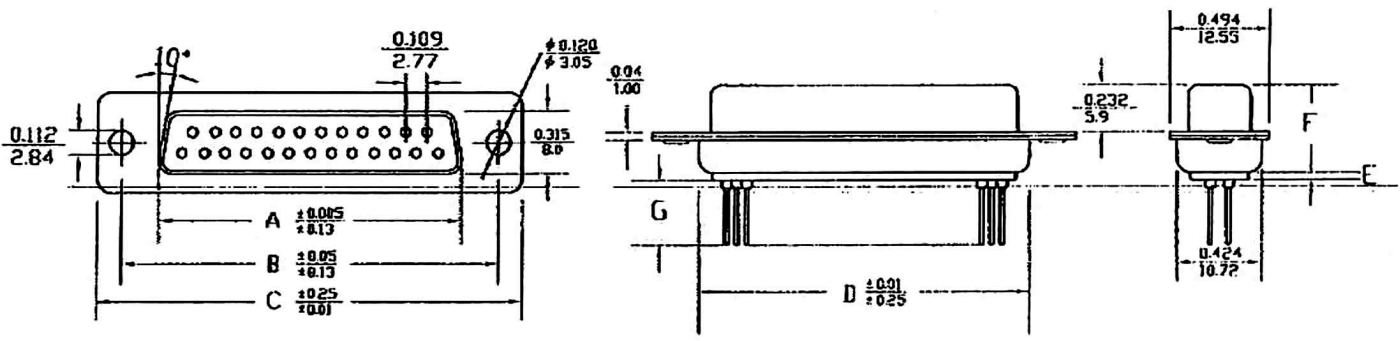


ITEM NO.	A	B	C	D	E	F	G
9	16.33(0.643)	24.99(0.984)	30.81(1.213)	19.28(0.759)	1.2(0.047)	11.0(0.433)	13.0(0.512)
15	24.66(0.91)	33.32(1.312)	39.14(1.541)	27.51(1.083)	1.2(0.047)	11.0(0.433)	13.0(0.512)
25	38.38(1.511)	47.04(1.852)	53.04(2.088)	41.3(1.625)	1.2(0.047)	11.0(0.433)	13.0(0.512)
37	54.84(2.159)	63.50(2.500)	69.32(2.729)	57.71(2.272)	1.2(0.047)	11.0(0.433)	13.0(0.512)
50	52.34(2.060)	61.11(2.406)	66.92(2.634)	55.30(2.177)	1.2(0.047)	11.0(0.433)	13.0(0.512)



MATERIAL & FINISH
SHELL :

NICKEL PLATED
OR TIN PLATED

PIN CONTACT :
GOLD PLATED OVER NICKEL

INSULATOR :
PBT & GLASS-FIBRE REINFORCED

NUMBER OF CONTACT :
9, 15, 25, 37, 50

CURRENT RATING :
5 amp.

DIELECTRIC STRENGTH :
1000V FOR ONE MINUTE

INSULATOR RESISTANCE :
1000MΩMIN. at 500V DC

TEMPERATURE :
-55° C ~ +105° C

SOLDERING TEMPERATURE : 215° ~ 230°

RoHS Compliant		HSM 玄茂科技股份有限公司 HSUAN MAO TECHNOLOGY CO., LTD.	
APPD. 核准 Angel	DWG. 製圖 Yumi	SCALE 比例 參考	TOLERANCE 容許公差 .0 ± .00 ± ANG. ±
DATE 制表日 2012/06/29			UNIT 單位 M M
PART NAME 品名 D-SUB PCB STRAIGHT MACHINED PIN WIRE WRAP TYPE XXP FEMALE ROHS LOW LEAD		PART NO. 料號 C0576-XXFAAXXR	
PAGE 張數 1 OF 1		REV. 版次 B	