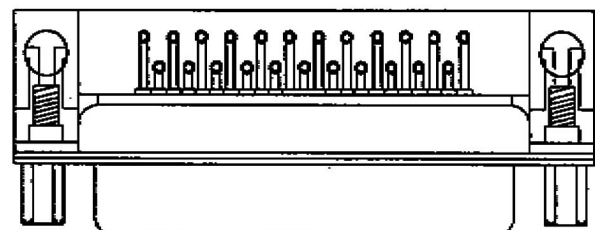


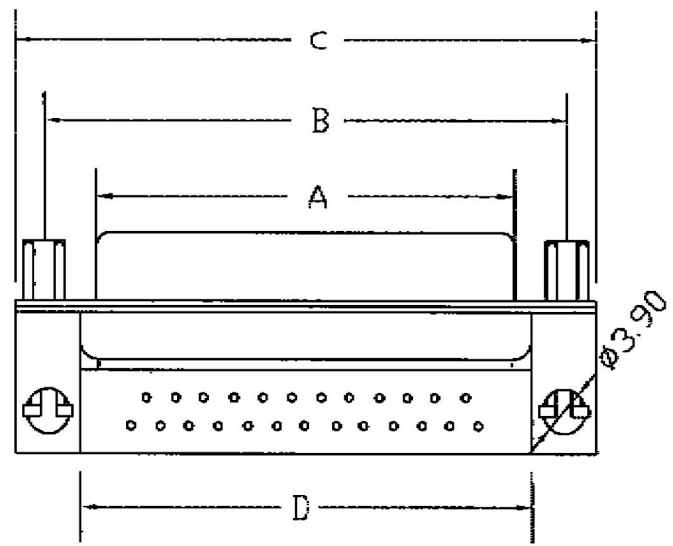
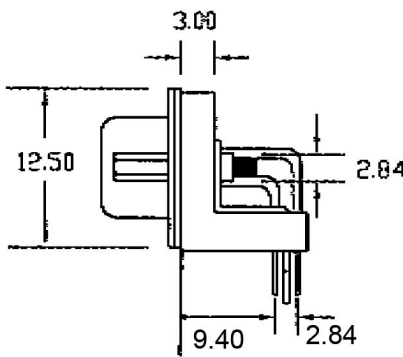
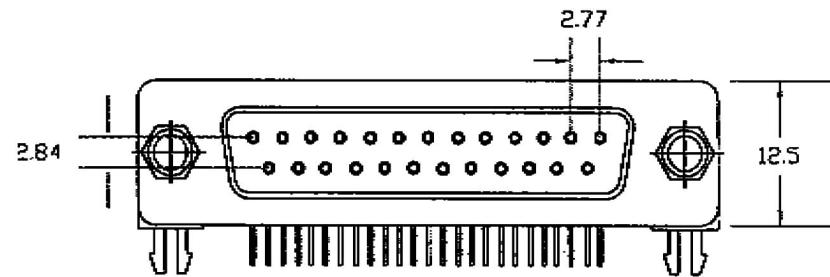
1 2 3 4 5 6 7 8

A
B
C
D
E
F
G
H

A
B
C
D
E
F
G
H



MATERIAL & FINISH
 SHELL : TIN PLATED
 PIN CONTACT : GOLD PLATED OVER NICKEL
 INSULATOR : PBT & GLASS-FIBRE REINFORCED
 CURRENT RATING : 5Amp.
 DIELECTRIC STRENGTH : 1000V FOR ONE MINUTE
 INSULATOR RESISTANCE : 1000MΩ MIN. At 500V DC
 TEMPERATURE : -55°C ~ +105°C



DIMENSIONS(FEMALE)

SHELL SIZE	A	B	C	D
9	0.643 16.33	0.948 24.99	1.213 30.81	0.717 18.20
15	0.971 24.66	1.312 33.32	1.541 39.14	1.035 26.3
25	1.511 38.38	1.852 47.04	2.088 53.04	1.587 40.3
37	2.159 54.84	2.500 63.50	2.729 69.32	2.224 56.5

RoHS
Compliant

HSM 玄茂科技股份有限公司
HSUAN MAO TECHNOLOGY CO., LTD.

APPD. 核准		TOLERANCE 容許公差	PART NAME 品名 D-SUB PCB RIGHT ANGLE TYPE 9.4mm MACHINED PIN XXP FEMALE WITH BRACKET +Z-SHAPE FIX SCREWS 4.8x11.8mm TIN SHELL GOLD FLASH PLATING WHITE INSULATOR ROHS
DWG. 製圖		SCALE 比例	
DATE 制表日	UNIT 單位	ANG. ± 3°	PART NO. 料號
2014/07/15	M M	REV. 版次	
Betty	PAGE 張數	A 4	C0573-XXFBCTGWR
	1 OF 1	A	

1 2 3 4 5 6 7 8