

"D-SUB" CONNECTOR SOLDER CUP TYPE "SOCKET" MACHINED PIN

MATERIAL & FINISH
SHELL:
STEEL
NICKEL PLATED OR TIN PLATED

PIN CONTACT:
BRASS
GOLD PLATED OVER NICKEL

INSULATOR:
PBT&GLASS-FIBRE REINFORCE
UL94-V0

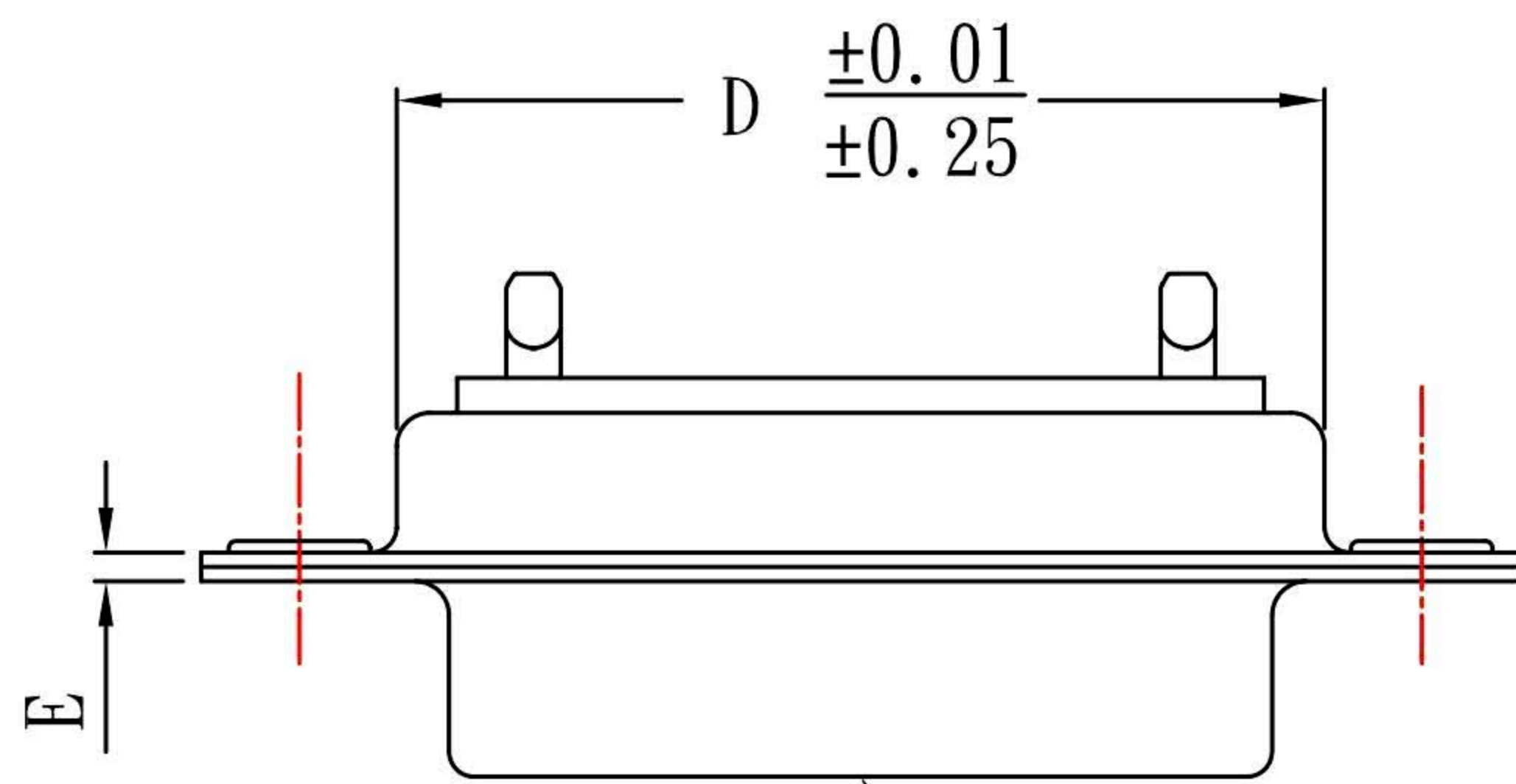
NUMBER OF CONTACT:
9, 15, 25, 37, 50

CURRENT RATING:
5 AMP.

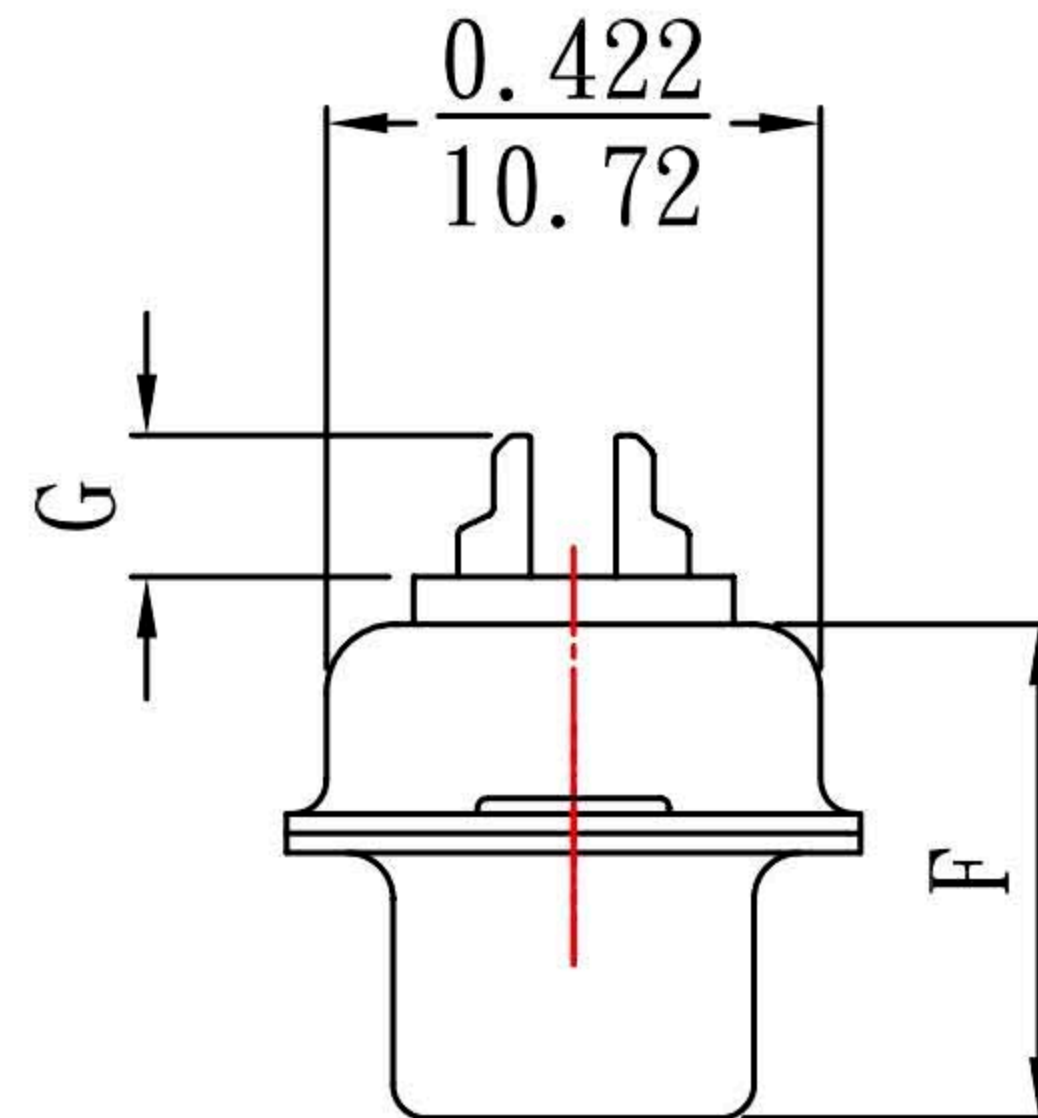
DIELECTRIC STRENGTH:
1000V FOR ONE MINUTE

INSULATOR RESISTANCE:
1000MΩ MIN. AT 500V AC

TEMPERATURE:
-55°C ~ +105°C



MATING FACE



C10 5 7 0 - XX F A A X X X R
1 2 3 4 5 6 7 8 9 10

1. PRODUCTS:

C: Connector

2. SERIES NO. :
0570

3. CONTACT NO:
09, 15, 25, 37, 50

4. CONTACT TYPE:
M:MALE F:FEMALE

5. MOUNTING OPTION:
A:Through Hole

6. ACCESSORIES:
A:NON ACCESSORIES

7. SHELL PLATING:
T:TIN
N:NICKEL

8. CONTACT PLATING

G:GOLD FLASH

A:GOLD 5U"

B:GOLD 10U"

C:GOLD 15U"

D:GOLD 30U"

9. OTHERS:

W:White Insulator

B:Black Insulator

10. ROHS LOW-LEAD

ITEM NO.	A	B	C	D	E	F	G
9	16.33(0.643)	24.99(0.984)	30.81(1.213)	19.28(0.759)	1.0(0.0394)	10.8(0.425)	2.30(0.091)
15	24.66(0.971)	33.32(1.312)	39.14(1.541)	27.51(1.083)	1.0(0.0394)	10.8(0.425)	2.30(0.091)
25	38.38(1.511)	47.04(1.852)	53.04(2.088)	41.30(1.625)	1.0(0.0394)	10.8(0.425)	2.30(0.091)
37	54.84(2.159)	63.50(2.500)	69.32(2.729)	57.71(2.272)	1.0(0.0394)	10.8(0.425)	2.30(0.091)
50	52.34(2.060)	61.11(2.406)	66.92(2.634)	55.30(2.177)	1.0(0.0394)	10.8(0.425)	2.30(0.091)

**RoHS
Compliant**

HSM 玄茂科技股份有限公司
Hsuan Mao Technology CO., LTD.

APPD. HELEN	 SCALE 参考	TOLERANCE .0 ± .00 ± ANG. ±	PART NAME 品名 D-SUB SOLDER TYPE MACHINED PIN XXP FEMALE THROUGH HOLE ROHS
DWG. ABBY		UNIT M M	
DATE 2015/02/09	PAGE 1 OF 1	REV. C	PART NO. 料 號 C0570-XXFAAXXR