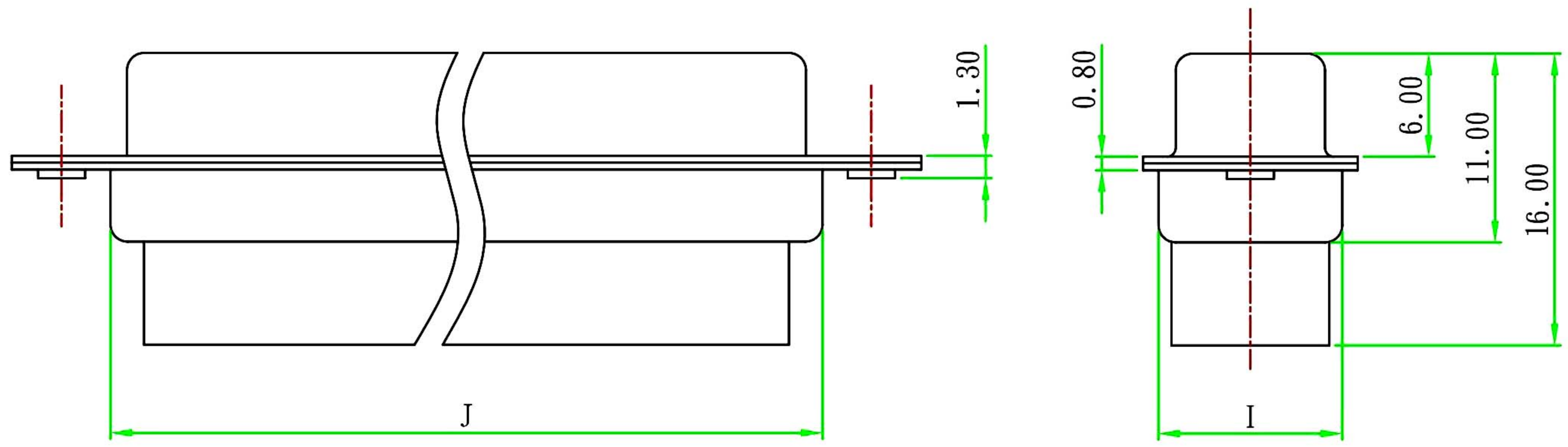


ELECTRICAL CHARACTERISTICS:
 CONTACT CURRENT RATING: 1 AMPERES.
 DIELECTRIC WITHSTANDING VOLTAGE: AC 500V R. M. S.
 INSULATION RESISTANCE: 500 MEGOHMS MINIMUM AT DC 500V
 CONTACT RESISTANCE: 30 MILLIOHMS MAXIMUM
 OPERATING TEMPERATURE: -55°C TO +105°C

MATERIALS:
 CONTACT: BRASS
 INSULATOR: P. B. T. UL94V-0 RATED
 SHELL: GOLD ROLLED STEEL

FINISHES:
 CONTACTS: GOLD FLASHED.
 SHELL: NICKEL, TIN PLATED.



M/F DIM	A	B	C	D	E	F	G	H	I	J
15P	16.30	25.00	30.80	7.90	12.50	7.039	2.286	1.981	10.70	19.30
26P	24.70	33.30	39.10	7.90	12.50	6.871	2.286	1.981	10.70	27.50
44P	38.40	47.00	53.00	7.90	12.50	6.863	2.286	1.981	10.70	41.30
62P	54.80	63.50	69.30	7.90	12.50	6.998	2.413	1.981	10.70	57.70
78P	52.40	61.10	66.90	10.70	15.40	7.627	2.413	2.083	13.60	55.30

RoHS Compliant		玄茂科技股份有限公司 Hsuan Mao Technology CO., LTD.	
DWG. Helen		SCALE 参考	
DATE 2012/11/9		UNIT M M	
APPD.		TOLERANCE	
DWG. Helen		.0 ± .00 ± ANG. ±	
DATE 2012/11/9		UNIT M M	
APPD.		SCALE 参考	
DWG. Helen		UNIT M M	
DATE 2012/11/9		UNIT M M	
APPD.		TOLERANCE	
DWG. Helen		.0 ± .00 ± ANG. ±	
DATE 2012/11/9		UNIT M M	
APPD.		SCALE 参考	
DWG. Helen		UNIT M M	
DATE 2012/11/9		UNIT M M	
APPD.		TOLERANCE	
DWG. Helen		.0 ± .00 ± ANG. ±	
DATE 2012/11/9		UNIT M M	
APPD.		SCALE 参考	
DWG. Helen		UNIT M M	
DATE 2012/11/9		UNIT M M	
APPD.		TOLERANCE	
DWG. Helen		.0 ± .00 ± ANG. ±	
DATE 2012/11/9		UNIT M M	
APPD.		SCALE 参考	
DWG. Helen		UNIT M M	
DATE 2012/11/9		UNIT M M	
APPD.		TOLERANCE	
DWG. Helen		.0 ± .00 ± ANG. ±	
DATE 2012/11/9		UNIT M M	
APPD.		SCALE 参考	
DWG. Helen		UNIT M M	
DATE 2012/11/9		UNIT M M	
APPD.		TOLERANCE	
DWG. Helen		.0 ± .00 ± ANG. ±	
DATE 2012/11/9		UNIT M M	
APPD.		SCALE 参考	
DWG. Helen		UNIT M M	
DATE 2012/11/9		UNIT M M	
APPD.		TOLERANCE	
DWG. Helen		.0 ± .00 ± ANG. ±	
DATE 2012/11/9		UNIT M M	
APPD.		SCALE 参考	
DWG. Helen		UNIT M M	
DATE 2012/11/9		UNIT M M	
APPD.		TOLERANCE	
DWG. Helen		.0 ± .00 ± ANG. ±	
DATE 2012/11/9		UNIT M M	
APPD.		SCALE 参考	
DWG. Helen		UNIT M M	
DATE 2012/11/9		UNIT M M	
APPD.		TOLERANCE	
DWG. Helen		.0 ± .00 ± ANG. ±	
DATE 2012/11/9		UNIT M M	
APPD.		SCALE 参考	
DWG. Helen		UNIT M M	
DATE 2012/11/9		UNIT M M	
APPD.		TOLERANCE	
DWG. Helen		.0 ± .00 ± ANG. ±	
DATE 2012/11/9		UNIT M M	
APPD.		SCALE 参考	
DWG. Helen		UNIT M M	
DATE 2012/11/9		UNIT M M	
APPD.		TOLERANCE	
DWG. Helen		.0 ± .00 ± ANG. ±	
DATE 2012/11/9		UNIT M M	
APPD.		SCALE 参考	
DWG. Helen		UNIT M M	
DATE 2012/11/9		UNIT M M	
APPD.		TOLERANCE	
DWG. Helen		.0 ± .00 ± ANG. ±	
DATE 2012/11/9		UNIT M M	
APPD.		SCALE 参考	
DWG. Helen		UNIT M M	
DATE 2012/11/9		UNIT M M	
APPD.		TOLERANCE	
DWG. Helen		.0 ± .00 ± ANG. ±	
DATE 2012/11/9		UNIT M M	
APPD.		SCALE 参考	
DWG. Helen		UNIT M M	
DATE 2012/11/9		UNIT M M	
APPD.		TOLERANCE	
DWG. Helen		.0 ± .00 ± ANG. ±	
DATE 2012/11/9		UNIT M M	
APPD.		SCALE 参考	
DWG. Helen		UNIT M M	
DATE 2012/11/9		UNIT M M	
APPD.		TOLERANCE	
DWG. Helen		.0 ± .00 ± ANG. ±	
DATE 2012/11/9		UNIT M M	
APPD.		SCALE 参考	
DWG. Helen		UNIT M M	
DATE 2012/11/9		UNIT M M	
APPD.		TOLERANCE	
DWG. Helen		.0 ± .00 ± ANG. ±	
DATE 2012/11/9		UNIT M M	
APPD.		SCALE 参考	
DWG. Helen		UNIT M M	
DATE 2012/11/9		UNIT M M	
APPD.		TOLERANCE	
DWG. Helen		.0 ± .00 ± ANG. ±	
DATE 2012/11/9		UNIT M M	
APPD.		SCALE 参考	
DWG. Helen		UNIT M M	
DATE 2012/11/9		UNIT M M	
APPD.		TOLERANCE	
DWG. Helen		.0 ± .00 ± ANG. ±	
DATE 2012/11/9		UNIT M M	
APPD.		SCALE 参考	
DWG. Helen		UNIT M M	
DATE 2012/11/9		UNIT M M	
APPD.		TOLERANCE	
DWG. Helen		.0 ± .00 ± ANG. ±	
DATE 2012/11/9		UNIT M M	
APPD.		SCALE 参考	
DWG. Helen		UNIT M M	
DATE 2012/11/9		UNIT M M	
APPD.		TOLERANCE	
DWG. Helen		.0 ± .00 ± ANG. ±	
DATE 2012/11/9		UNIT M M	
APPD.		SCALE 参考	
DWG. Helen		UNIT M M	
DATE 2012/11/9		UNIT M M	
APPD.		TOLERANCE	
DWG. Helen		.0 ± .00 ± ANG. ±	
DATE 2012/11/9		UNIT M M	
APPD.		SCALE 参考	
DWG. Helen		UNIT M M	
DATE 2012/11/9		UNIT M M	
APPD.		TOLERANCE	
DWG. Helen		.0 ± .00 ± ANG. ±	
DATE 2012/11/9		UNIT M M	
APPD.		SCALE 参考	
DWG. Helen		UNIT M M	
DATE 2012/11/9		UNIT M M	
APPD.		TOLERANCE	
DWG. Helen		.0 ± .00 ± ANG. ±	
DATE 2012/11/9		UNIT M M	
APPD.		SCALE 参考	
DWG. Helen		UNIT M M	
DATE 2012/11/9		UNIT M M	
APPD.		TOLERANCE	
DWG. Helen		.0 ± .00 ± ANG. ±	
DATE 2012/11/9		UNIT M M	
APPD.		SCALE 参考	
DWG. Helen		UNIT M M	
DATE 2012/11/9		UNIT M M	
APPD.		TOLERANCE	
DWG. Helen		.0 ± .00 ± ANG. ±	
DATE 2012/11/9		UNIT M M	
APPD.		SCALE 参考	
DWG. Helen		UNIT M M	
DATE 2012/11/9		UNIT M M	
APPD.		TOLERANCE	
DWG. Helen		.0 ± .00 ± ANG. ±	
DATE 2012/11/9		UNIT M M	
APPD.		SCALE 参考	
DWG. Helen		UNIT M M	
DATE 2012/11/9		UNIT M M	
APPD.		TOLERANCE	
DWG. Helen		.0 ± .00 ± ANG. ±	
DATE 2012/11/9		UNIT M M	
APPD.		SCALE 参考	
DWG. Helen		UNIT M M	
DATE 2012/11/9		UNIT M M	
APPD.		TOLERANCE	
DWG. Helen		.0 ± .00 ± ANG. ±	
DATE 2012/11/9		UNIT M M	
APPD.		SCALE 参考	
DWG. Helen		UNIT M M	
DATE 2012/11/9		UNIT M M	
APPD.		TOLERANCE	
DWG. Helen		.0 ± .00 ± ANG. ±	
DATE 2012/11/9		UNIT M M	
APPD.		SCALE 参考	
DWG. Helen		UNIT M M	
DATE 2012/11/9		UNIT M M	
APPD.		TOLERANCE	
DWG. Helen		.0 ± .00 ± ANG. ±	
DATE 2012/11/9		UNIT M M	
APPD.		SCALE 参考	
DWG. Helen		UNIT M M	
DATE 2012/11/9		UNIT M M	
APPD.		TOLERANCE	
DWG. Helen		.0 ± .00 ± ANG. ±	
DATE 2012/11/9		UNIT M M	
APPD.		SCALE 参考	
DWG. Helen		UNIT M M	
DATE 2012/11/9		UNIT M M	
APPD.		TOLERANCE	
DWG. Helen		.0 ± .00 ± ANG. ±	
DATE 2012/11/9		UNIT M M	
APPD.		SCALE 参考	
DWG. Helen		UNIT M M	
DATE 2012/11/9		UNIT M M	
APPD.		TOLERANCE	
DWG. Helen		.0 ± .00 ± ANG. ±	
DATE 2012/11/9		UNIT M M	
APPD.		SCALE 参考	
DWG. Helen		UNIT M M	
DATE 2012/11/9		UNIT M M	
APPD.		TOLERANCE	
DWG. Helen		.0 ± .00 ± ANG. ±	
DATE 2012/11/9		UNIT M M	
APPD.		SCALE 参考	
DWG. Helen		UNIT M M	
DATE 2012/11/9		UNIT M M	
APPD.		TOLERANCE	
DWG. Helen		.0 ± .00 ± ANG. ±	
DATE 2012/11/9		UNIT M M	
APPD.		SCALE 参考	
DWG. Helen		UNIT M M	
DATE 2012/11/9		UNIT M M	
APPD.		TOLERANCE	
DWG. Helen		.0 ± .00 ± ANG. ±	
DATE 2012/11/9		UNIT M M	
APPD.		SCALE 参考	
DWG. Helen		UNIT M M	