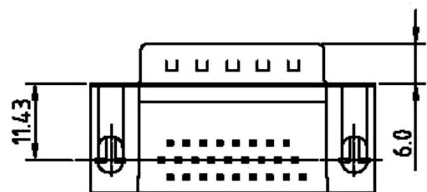
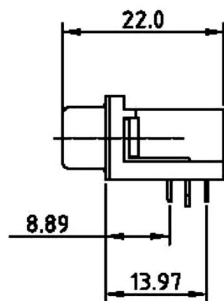
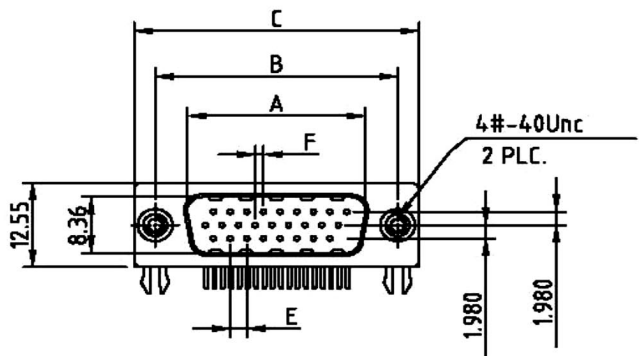


1 2 3 4 5 6 7 8

A
B
C
D
E
F
G
H

A
B
C
D
E
F
G
H



ELECTRICAL CHARACTERISTICS

Contact Current Rating:3Amperes.
 Dielectric Withstanding Voltage:AC 500V at sea level.
 Insulation Resistance:1000Megohms Min.
 Contact Resistance:25Milliohms Max.
 Operation Temperature : -55°C to +105°C.

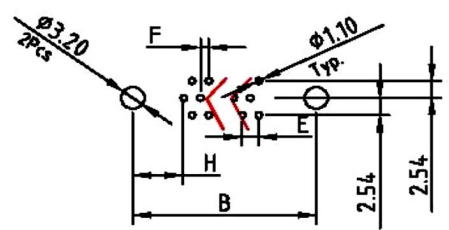
Material

Contact :Copper Alloy.
 Insulator:PBT.
 Shell: SPCC.
 Z-Piece: Copper Alloy.
 Screw: Copper Alloy.
 Rivet: Copper Alloy. or Zinc.

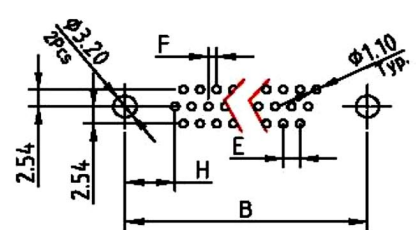
Note:

No.	A	B	C	E	F	H
15	16.92	24.99	30.81	2.29	1.145	7.04
26	25.25	33.32	39.14	2.29	1.145	6.88
44	38.96	47.04	53.04	2.29	1.145	6.88
62	55.42	63.50	69.32	2.41	1.205	7.00

Re Layout P.C.B.
15 POSITION



Re Layout P.C.B.
26 /44 /62POSITION



RoHS Compliant		HSM 玄茂科技股份有限公司 HSUAN MAO TECHNOLOGY CO., LTD.	
APPD. 核准 Hedy		TOLERANCE 容許公差 X ±0.30 XX ±0.25 XXX ±0.150 Ang. ±2°	PART NAME 品名 HIGH DENSITY D-SUB PCB RIGHT ANGLE STAMPED PIN XXP MALE RIVET W/ BOARDLOCK W/O SCREWS NICKEL SHELL+ DIMPLE GOLD FLASH PLATING BLACK INSULATOR ROHS
DWG. 製圖 Yumi	SCALE 比例 參考 	UNIT 單位 M M	PART NO. 料號 C0562-XXMBABGBR
DATE 制表日 2010/12/03	PAGE 張數 1 OF 1	SIZE 紙張尺寸 A 4	REV. 版次 A

1 2 3 4 5 6 7 8