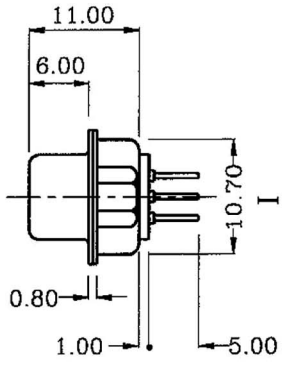
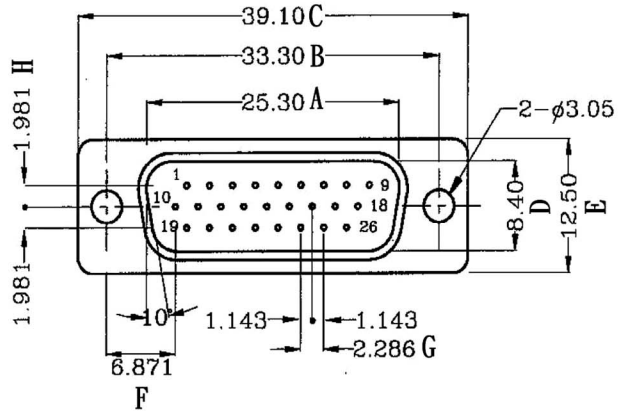


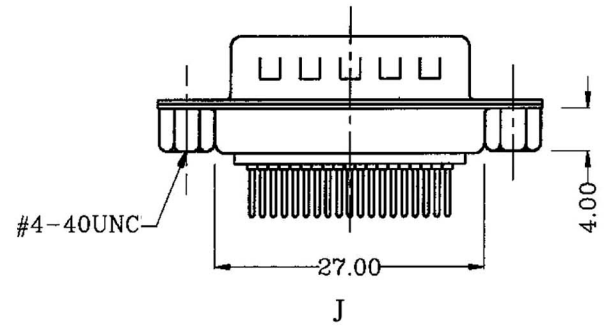
1 2 3 4 5 6 7 8

A
B
C
D
E
F
G
H

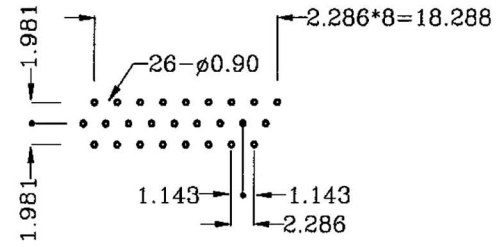


MATERIAL:
 Insulator: PBT+30% Glass Fiber
 UL94V-0
 Pin contacts: Brass or Phosphor Bronze
 Gold Plated & Tin plated
 Shell: Steel,SPCC
 Nickei & Tin Plated

ELECTRICAL DATA:
 Rated Voltage: 350V AC
 Rated Current: 5A
 Withstand Voltage: 500V AC(RMS)
 Insulation Resistance: Over 1000 MΩ
 Contact Resistance: 5 MΩ AT 1A
 Temperature: -25℃~100℃



DIM M/F	A	B	C	D	E	F	G	H	I	J
15	16.90	25.00	30.80	8.40	12.50	7.039	2.286	1.981	10.70	19.30
26	25.30	33.30	39.10	8.40	12.50	6.871	2.286	1.981	10.70	27.50
44	39.00	47.00	53.00	8.40	12.50	6.863	2.286	1.981	10.70	41.30
62	55.40	63.50	69.30	8.40	12.50	6.998	2.413	1.981	10.70	57.70
78	52.90	61.10	66.90	11.20	15.40	7.627	2.413	2.083	13.60	55.30



P.C BOARD LAYOUT

RoHS Compliant		HSM 玄茂科技股份有限公司	
		HSUAN MAO TECHNOLOGY CO., LTD.	
APPD. 核准		TOLERANCE 容許公差 .0 ± .00 ± ANG. ±	PART NAME 品名 HIGH DENSITY D-SUB PCB STRAIGHT TYPE STAMPED PIN XXP MALE REAR RIVET 3.8mm(4.0mm) OPEN HEX RIVET NICKEL SHELL +DIMPLE BLACK INSULATOR ROHS
DWG. 製圖	Hedy	SCALE 比例 參考	UNIT 單位 MM
DATE 制表日	2018/06/07	PAGE 張數 1 / 1	REV. 版次 A
		PART NO. 料號 C0561-XXMCEBXBR	

1 2 3 4 5 6 7 8