

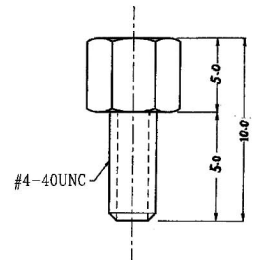
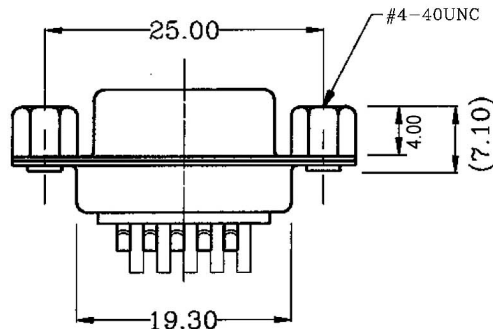
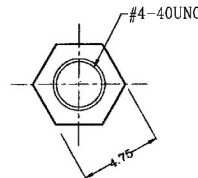
**ELECTRICAL CHARACTERISTICS**

Contact Current Rating: 3Amperes.  
 Dielectric Withstanding Voltage: AC 500V at sea level.  
 Insulation Resistance: 1000Megohms Min.  
 Contact Resistance: 25Milliohms Max.  
 Operation Temperature: -55°C to +105°C.

**Material**

Contact :Copper Alloy.  
 Insulator:PBT.  
 Shell: SPCC.  
 Screw: Copper Alloy.

SCREWS \*2PCS



RoHS Compliant		HSM 玄茂科技股份有限公司 HSUAN MAO TECHNOLOGY CO., LTD.	
APPD. 核准 HELEN	SCALE 比例 参考	TOLERANCE 容許公差	PART NAME 品名
DWG. 製圖 ABBY		.0 ±0.30 .00 ±0.25 ANG. ±2°	H.D. D-SUB SOLDER TYPE STAMPED PIN 15P FEMALE FRONT RIVET 3.8mm(4mm)OPEN HEX FRONT RIVET+LOOSE SCREWS ROHS
DATE 制表日 2017/01/02	UNIT 單位 MM	SIZE. 紙張尺寸 A 4	PART NO. 料號 C0560-15FCCXXXR
	PAGE 張數 1 OF 1	REV. 版次 A	