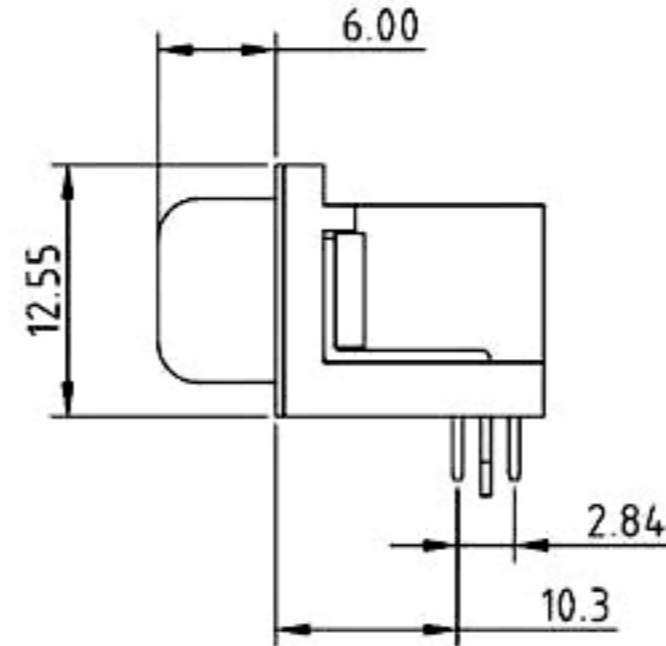


↓ C0551-XXMBA(A,B)XBR



ELECTRICAL CHARACTERISTICS

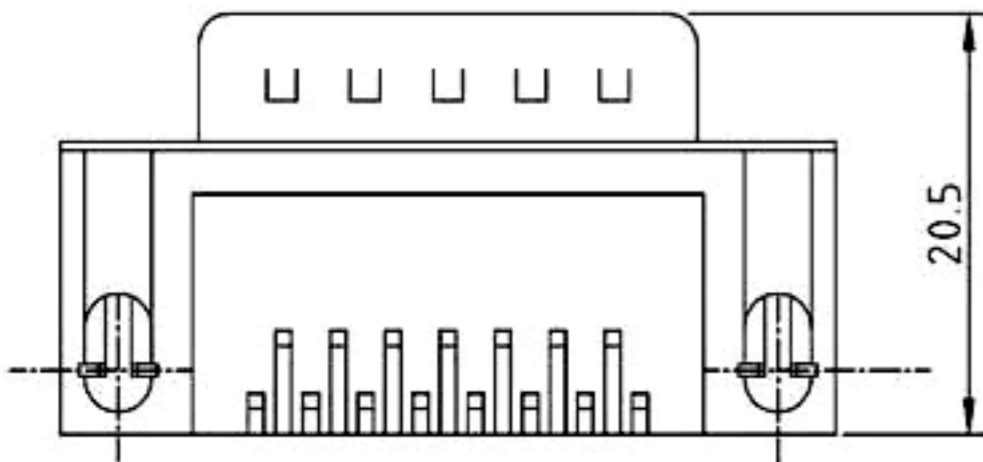
Contact Current Rating: 3Amperes.
 Dielectric Withstanding Voltage: AC 500V at sea level.
 Insulation Resistance: 1000Megohms Min.
 Contact Resistance: 30Milliohms Max.
 Operation Temperature: -55°C to +105°C.

Material

Contact: Copper Alloy.
 Insulator: PBT.
 Shell: SPCC.
 Z-Piece: Fe.
 Screw: Copper Alloy.
 Rivet: Copper Alloy. or Zinc.

Note:

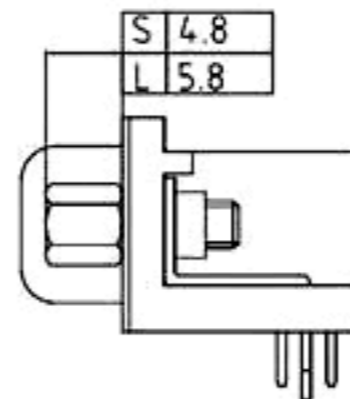
No.	A	B	C
09	16.92	24.99	30.81
15	25.25	33.32	39.14
25	38.96	47.04	53.04
37	55.42	63.50	69.32



C0551-XXMA(C,E)(A,B)XBR

MOUNTING OPTION:
 A: Boardlock(Z-Shape)

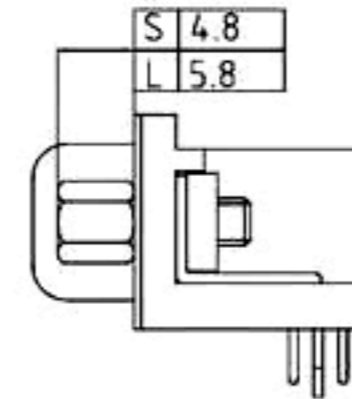
ACCESSORIES:
 C: Fix Screws(4.8*11.8)
 E: Fix Screws(5.8*12.0)



C0551-XXMB(C,E)(A,B)XBR

MOUNTING OPTION:
 B: Rive W/Boardlock(Z-Shape)

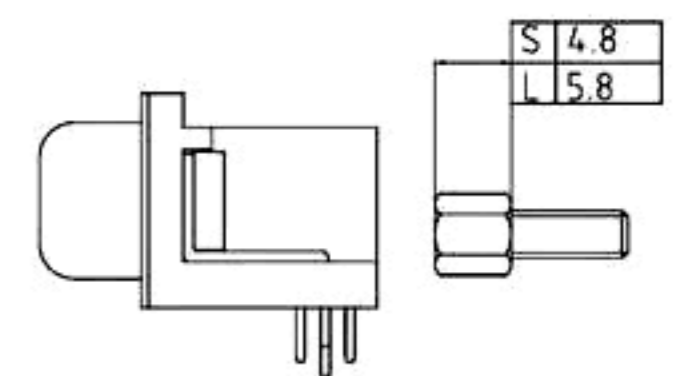
ACCESSORIES:
 C: Fix Screws(4.8*11.8)
 E: Fix Screws(5.8*12.0)



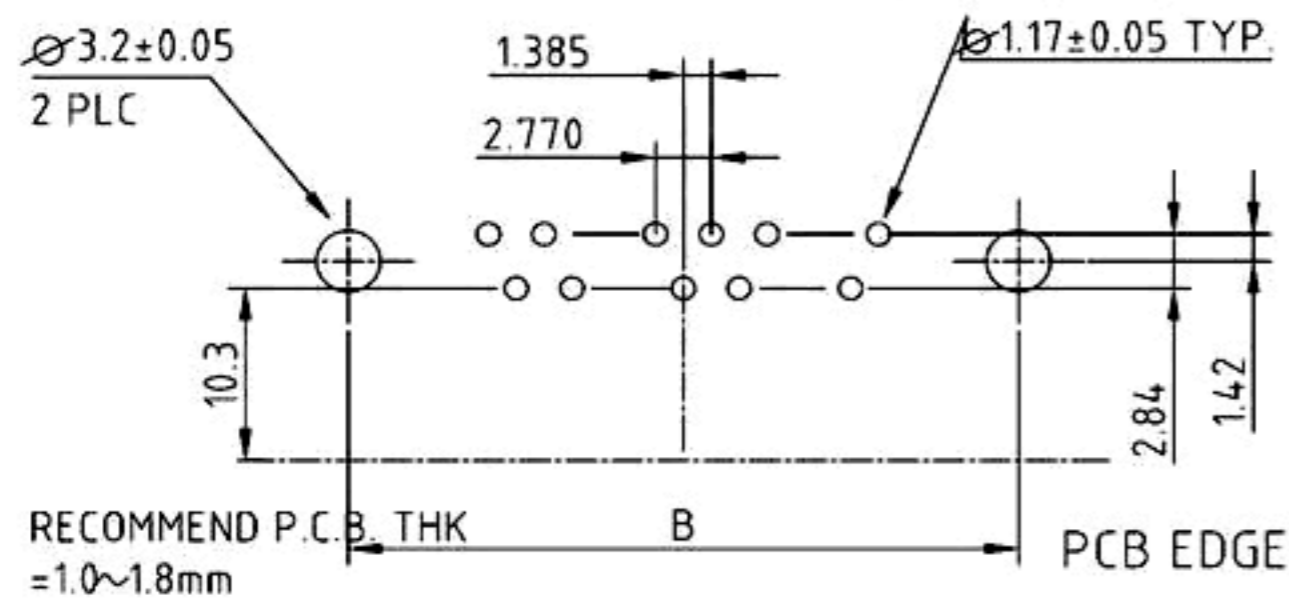
C0551-XXMB(B,D)(A,B)XBR

MOUNTING OPTION:
 B: Rive W/Boardlock(Z-Shape)

ACCESSORIES:
 B: ADD Screws(4.8*11.8)
 D: ADD Screws(5.8*12.0)



Recommend PCB Layout



<p>RoHS Compliant</p>		<p>HSM 玄茂科技股份有限公司 HSUAN MAO TECHNOLOGY CO., LTD.</p>	
<p>APPD. 核准</p>		<p>TOLERANCE 容許公差</p> <p>.0 ± 0.3 .00 ± 0.25 ANG. ± 2°</p>	<p>PART NAME 品名</p> <p>D-SUB PCB RIGHT ANGLE 9.4mm STAMPED PIN XXP BLACK INSULATOR ROHS</p>
<p>DWG. 製圖</p> <p>Helen</p>	<p>SCALE 比例</p> <p>參考</p>	<p>UNIT 單位</p> <p>MM</p>	<p>PART NO. 料號</p> <p>C0551-XXMXXXXBR</p>
<p>DATE 制表日</p> <p>2012/3/16</p>	<p>PAGE 張數</p> <p>1 OF 1</p>	<p>REV. 版本</p> <p>A</p>	