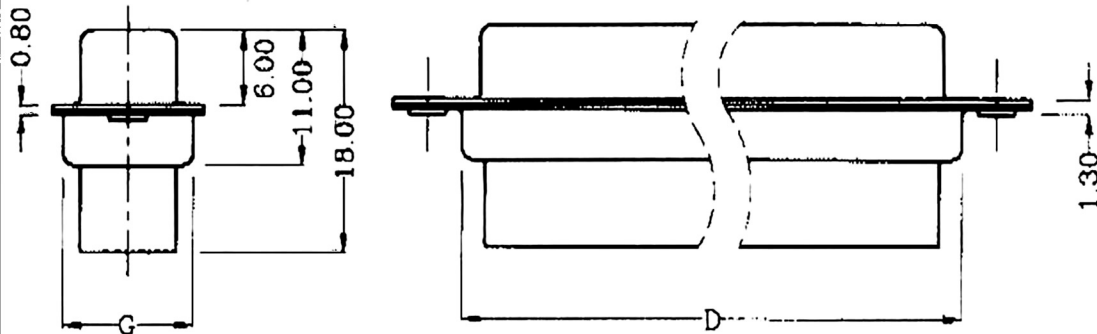


Electrical

- Contact Resistance : 20 milliohms Max at 1 AMP DC.
- Insulation Resistance : 1000 magohms at 500 VDC
- Dielectric Withstanding Voltage : 1000 VAC/rms 60Hz for 1 minute
- Current Rating : 3 AMP
- Volatge Rating : 250 VAC/rms 60Hz

Material

- Insulator : Glass-Filled Thermoplastic PBT,UL94V-0 rated
- Contact : Brass
- Shell : Steel, refer to ordering information for plating
- Clinch Nut : Brass, 100u" min Nickel Plated.
- Screwlock : Brass, 100u" min Nickel Plated.



DIM M/F	A	B	C	D	E	F	G
09	16.30	25.00	30.80	19.30	7.90	12.50	10.70
15	24.70	33.30	39.10	27.50	7.90	12.50	10.70
25	38.40	47.00	53.00	41.30	7.90	12.50	10.70
37	54.80	63.50	69.30	57.70	7.90	12.50	10.70
50	52.40	61.10	66.90	55.30	10.80	15.40	13.60

RoHS Compliant	HSM 玄茂科技股份有限公司 HSUAN MAO TECHNOLOGY CO., LTD.		
	APPD. 核准	TOLERANCE 容許公差	PART NAME 品名 D-SUB CRIMPING HOUSING XXP FEMALE BLACK COLOR ROHS
DWG. 製圖 Hedy	SCALE 比例 參考	SIZE. 紙張尺寸 A4	PART NO. 料號 C0542-XXFAAXB0R
DATE 制表日 2012/12/11	UNIT 單位 MM	REV. 版次 A	
	PAGE 張數 1 / 1		