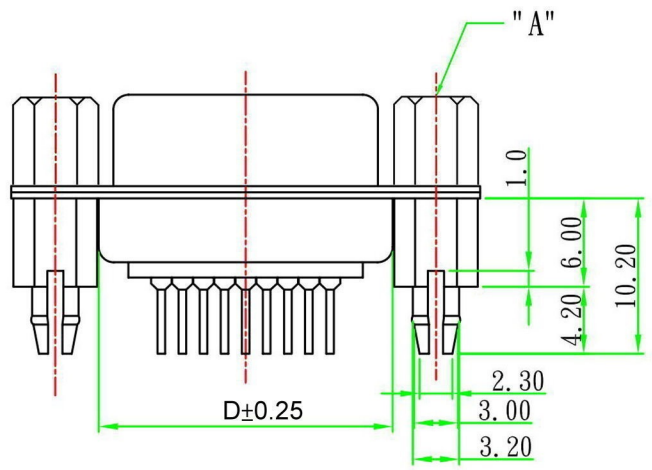
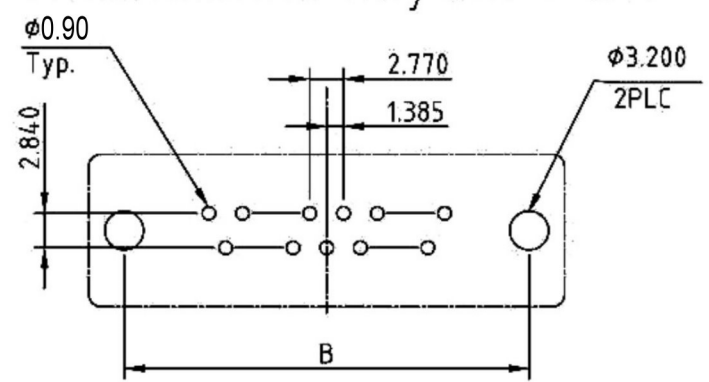


MATERIAL:
 Insulator: PBT+30% Glass Fiber(UL94V-0)
 Contacts: Phosphor Bronze or Brass(Standard it Brass)
 Contact Plated: Gold over Nickel
 Shell: Steel, Zinc plated or Tin plated

SPECIFICATION:
 Current Rating: 5Amps
 Insulation Resistance: 1000MΩ Min. at 500V DC
 Withstanding Voltage: 500V AC/minute
 Operating Temperature: -40°C ~ +105°C



Recommend Layout PCB.



M/F \ DIM	A	B	C	D	E	F	G
09	16.30	25.00	30.80	19.30	7.90	12.50	10.70
15	24.70	33.30	39.10	27.50	7.90	12.50	10.70
25	38.40	47.00	53.00	41.30	7.90	12.50	10.70
37	54.80	63.50	69.30	57.70	7.90	12.50	10.70

RoHS Compliant		HSM 玄茂科技股份有限公司	
		HSUAN MAO TECHNOLOGY CO., LTD.	
APPD. 核准 HELEN	 SCALE 比例 参考	TOLERANCE 容許公差 .0 ± 0.25 .00 ± ANG. ±	PART NAME 品名 D-SUB PCB STRAIGHT TYPE STAMPED PIN XXP FEMALE REAR RIVET 6.0mm BOARLOCK FIX SCREWS ROHS
DWG. 製圖 ABBY		UNIT 單位 MM	SIZE. 紙張尺寸 A 4
DATE 制表日 2017/03/07	PAGE 張數 1 / 1	REV. 版次 A	