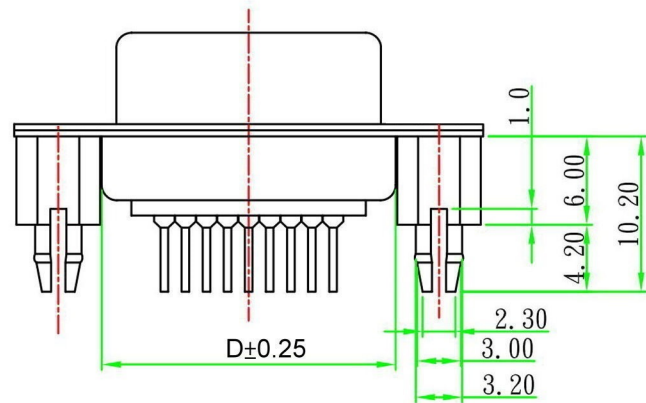


MATERIAL:

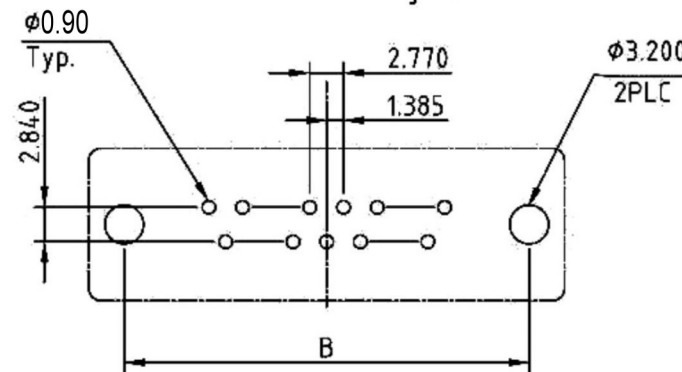
Insulator: PBT+30% Glass Fiber(UL94V-0)
 Contacts: Brass(Standard it Brass)
 Contact Plated: Gold over Nickel(Option)
 Shell: Steel, Nickel plated

SPECIFICATION:

Current Rating: 5Amps
 Insulation Resistance: 1000MΩ Min. at 500V DC
 Withstanding Voltage: 500V AC/minute
 Operating Temperature: -40°C ~ +105°C



Recommend Layout PCB.



M/F \ DIM	A	B	C	D	E	F	G
09	16.30	25.00	30.80	19.30	7.90	12.50	10.70
15	24.70	33.30	39.10	27.50	7.90	12.50	10.70
25	38.40	47.00	53.00	41.30	7.90	12.50	10.70
37	54.80	63.50	69.30	57.70	7.90	12.50	10.70

RoHS Compliant		HSM 玄茂科技股份有限公司 HSUAN MAO TECHNOLOGY CO., LTD.	
DWG. 製圖 HELEN		TOLERANCE 容許公差 .0 ± 0.25 .00 ± ANG. ±	
DATE 制表日 2018/12/27		SCALE 比例 參考	
UNIT 單位 MM		SIZE. 紙張尺寸 A 4	
PAGE 張數 1 / 1		REV. 版次 A	
PART NAME 品名 D-SUB PCB STRAIGHT TYPE STAMPED PIN XXP FEMALE REAR RIVET 6.0mm BOARLOCK ROHS			
PART NO. 料號 C0541-XXFIEXXR			