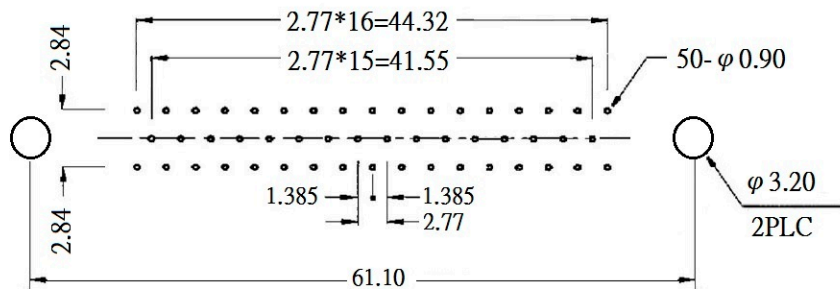
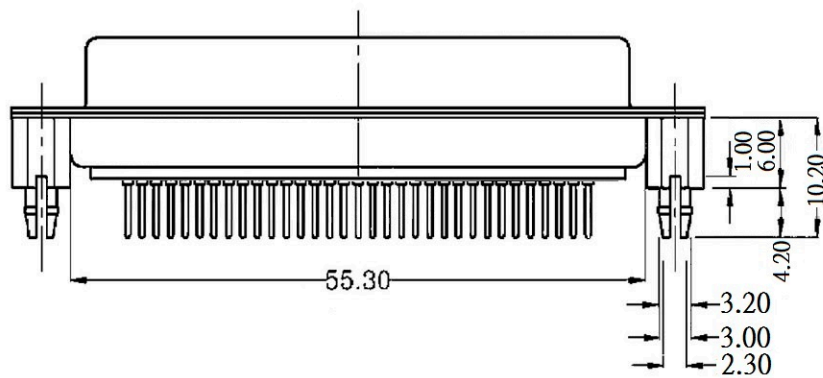


MATERIAL:

Insulator: PBT+30% Glass Fiber(UL94V-0)
 Contacts: Brass(Standard it Brass)
 Contact Plated: Gold over Nickel (Option)
 Shell: Steel, Nickel plated

SPECIFICATION:

Current Rating: 5Amps
 Insulation Resistance: 1000MΩ Min. at 500V DC
 Withstanding Voltage: 500V AC/minute
 Operating Temperature: -40°C ~ +105°C



P.C BOARD LAYOUT

RoHS Compliant		HSM 玄茂科技股份有限公司 HSUAN MAO TECHNOLOGY CO., LTD.	
APPD. 核准	SCALE 比例	TOLERANCE 容許公差	PART NAME 品名
DWG. 製圖	UNIT 單位	SIZE 紙張尺寸	D-SUB PCB STRAIGHT STAMPED PIN 50P FEMALE REAR RIVET 6.0mm BOARLOCK NICKEL SHELL ROHS
DATE 制表日	PAGE 張數	REV. 版本	PART NO. 料號
2018/12/28	1 OF 1	A	C0541-50FIENXXR

A
B
C
D
E
F
G
H

A
B
C
D
E
F
G
H

1 2 3 4 5 6 7 8

1 2 3 4 5 6 7 8