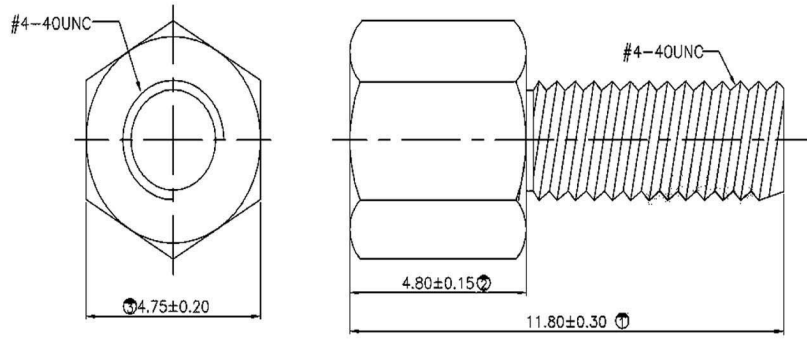


- MATERIALS:**
1. Housing: PBT (UL 94V-0)
 2. Contacts: Brass
 3. Shell: SPCC
 4. Board Lock: SPCC
 5. Rivet: Copper Alloy (Lead \leq 40000PPM)

- FINISH:**
1. Contacts: Gold Flash Plated on Contact Area
Sn Plated on Solderails
Nickel Under-Plated Over All
 2. Shell: Nickel Plated
 3. Board Lock: Sn Plated
 4. Rivet: Nickel Plated



NOTES
 MATERIALS: BRASS
 BURR: 0.03mm MAX. ON CONTACT AREA.
 PLATING: 100~120 μ " Ni Over 80~100 μ " Cu.
 OR 1 μ ", 3 μ ",Au Over 80~100 μ " Ni

P.C.B. LAYOUT

Specification:
 Current Rating :3A
 Voltage Rating :250V AC
 Operating Temp :-55°C~+105°C
 Insulation Resistance:1000M Ω MIN 500V DC
 Dielectric Withstanding Voltage :1000V AC
 Contact Resistance:25m Ω

| | | | |
|------------------------|-------------------|--|--|
| RoHS Compliant | | HSM 玄茂科技股份有限公司 HSUAN MAO TECHNOLOGY CO., LTD. | |
| APPD. 核准 | SCALE 比例 参考 | TOLERANCE X. \pm 0.50 .X \pm 0.38 .XX \pm 0.20 .XXX \pm 0.10 | PART NAME 品名 D-SUB H.D. PCB RIGHT ANGLE FOR NOTEBOOK DIP TYPE 15P FEMALE 4-40THREAD RIVET W/BOARDLOCK NICKEL SHELL SELECTIVE GOLD PLATING ROHS |
| DWG. 製圖 Betty | UNIT 單位 MM | SIZE 紙張尺寸 A 4 | PART NO. 料號 C0523-15FBXNSXR |
| DATE 製表日 2015/08/26 | PAGE 張數 1 OF 1 | REV. 版次 A | |