

● MATERIALS: (RoHS Compliant)

Housing And Cover: Plastic Thermoplastic
P.B.T UL94V-0 Black

Contacts: Phosphor Bronze Gold
Selective Plated

Front Shell: Steel Nickel Plated
Over Copper

Bracket: Steel Nickel Plated
Over Copper

Boardlock: Brass Tin Plated
Over Copper

● ELECTRICAL CHARACTERISTICS:

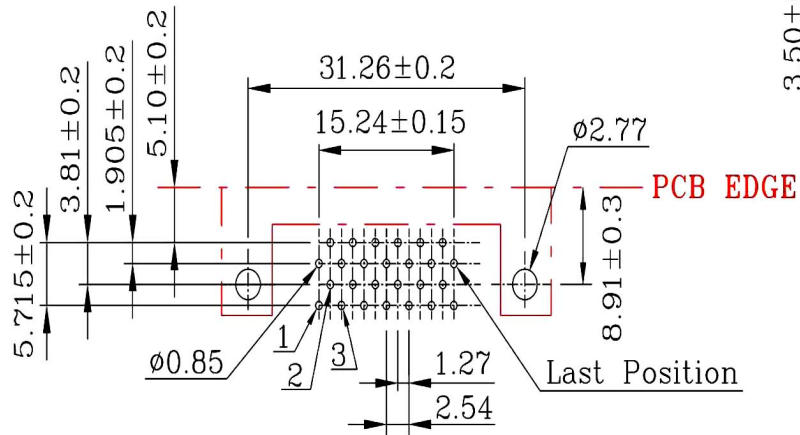
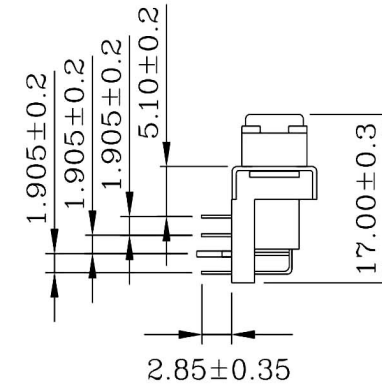
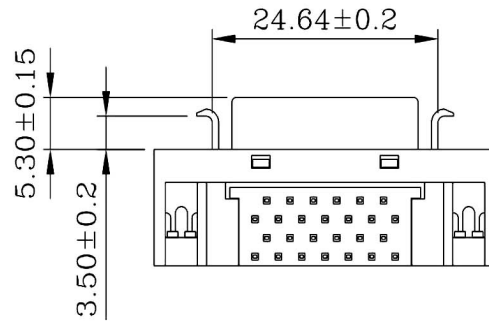
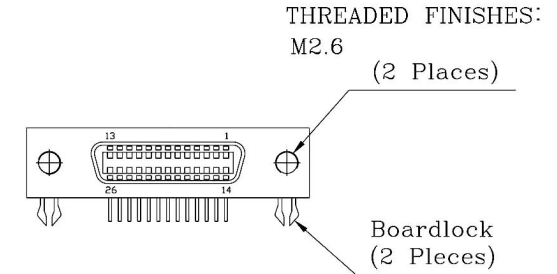
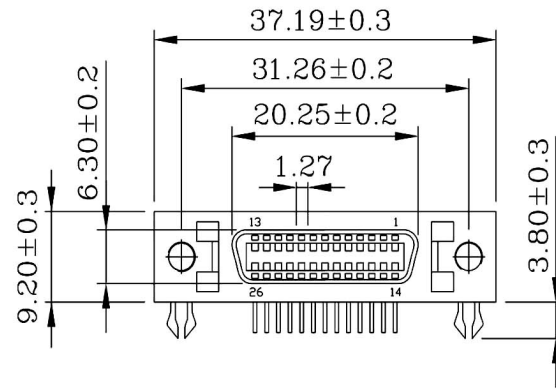
Contact Current Rating: 0.5 Amp

Dielectric Withstanding Voltage: 500V AC

Insulation Resistance: >500MΩ/Min

Contact Resistance: 35mΩ/Max

Operation Temperature: -55°C ~ +85°C



PCB Layout

RoHS Compliant		HSM 玄茂科技股份有限公司 HSUAN MAO TECHNOLOGY CO., LTD.	
APPD. 核准	SCALE 比例	TOLERANCE 容許公差	PART NAME 品名
DWG. 製圖	Betty	.0 ± 0.30 .00 ± 0.20 ANG. ± 3°	SCSI-II CENTRONIC PCB 90° 1.27mm 26P FEMALE THREAD INSERT M2.6 UNC W/Front LATCH METAL SHELL W/BOARDLOCK SELECTIVE GOLD 5U" PLATING BLACK COLOR ROHS
DATE 制表日	UNIT 單位	SIZE. 紙張尺寸	PART NO.
2018/04/17	M M	A 4	C0520-26FAZDEBR
	PAGE 張數	REV. 版次	料號
	1 OF 1	D	