

• **MATERIALS:(RoHS Compliant)**

Housing: Plastic Thermoplastic
P.B.T UL94V-0 Black

Contacts: Phosphor Bronze Gold
Selective Plated

Front Shell: Steel Nickel Plated Over Copper

• **ELECTRICAL CHARACTERISTICS:**


Contact Current Rating: 1 Amp

Dielectric Withstanding Voltage: 500V AC

Insulation Resistance: $>500M\Omega/\text{Min}$

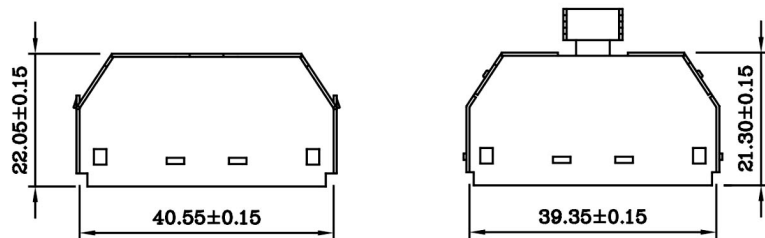
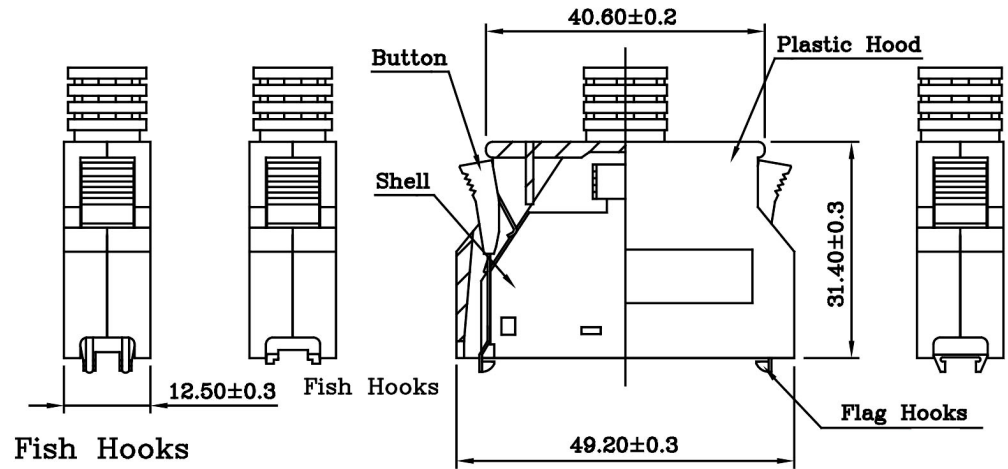
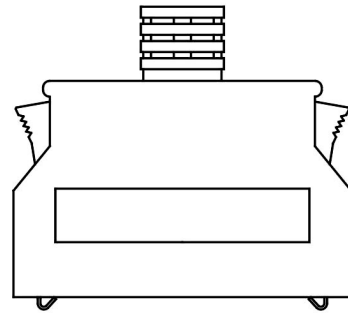
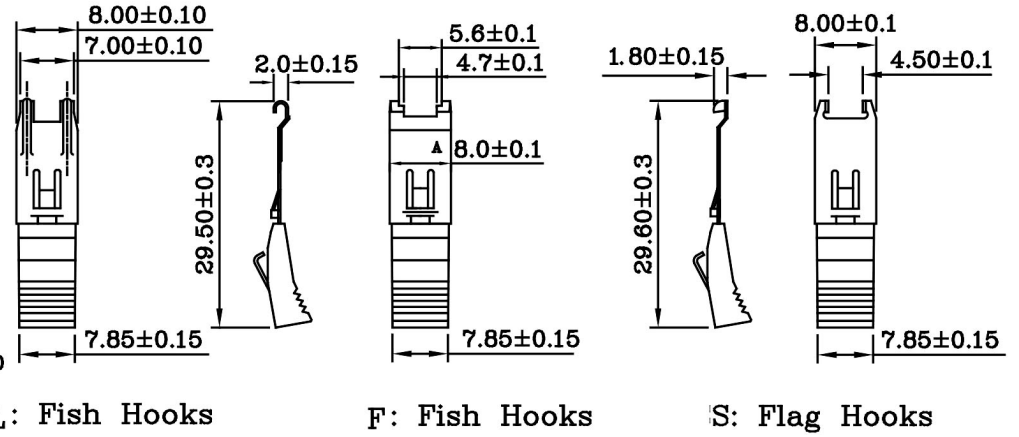
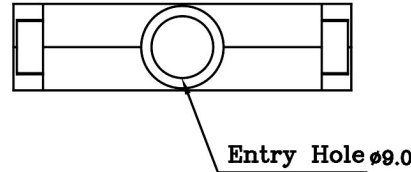
Contact Resistance: $35m\Omega/\text{Max}$

Operation Temperature: $-55^{\circ}\text{C} \sim +105^{\circ}\text{C}$

RoHS Compliant		HSM 玄茂科技股份有限公司 HSUAN MAO TECHNOLOGY CO., LTD.	
APPD. 核准	BETTY	 TOLERANCE 容許公差 .0 ± .00 ± ANG. ±	PART NAME 品名 1.27mm SCSI II CEN. SOLDER CONNECTOR 50P MALE ENTRY HOLE SIZE:φ9 SELECTIVE GOLD 5U" PLATING HOOD:IVORY ROHS
DWG. 製圖	BETTY		
DATE 制表日	2011/03/09	UNIT 單位	SIZE. 紙張尺寸
		PAGE 張數	REV. 版次
		M M	A 4
		1 OF 2	B
		PART NO. 料號 C0517-50MFXE10R	

• MATERIALS:(RoHS Compliant)

Hood: Plastic Thermoplastic ABS UL 94V-0
 Latch Cover: Plastic Thermoplastic ABS UL 94V-0
 Latch: Stainless Steel
 Inner Shell: Steel Nickel Plated Over Copper



RoHS Compliant		HSM 玄茂科技股份有限公司 HSUAN MAO TECHNOLOGY CO., LTD.	
APPD. 核准 BETTY	SCALE 比例 参考	TOLERANCE 容許公差 .0 ± .00 ± ANG. ±	PART NAME 品名 1.27mm SCSI II CEN. SOLDER CONNECTOR 50P MALE ENTRY HOLE SIZE: $\varnothing 9$ SELECTIVE GOLD 5U" PLATING HOOD: IVORY ROHS
DWG. 製圖 BETTY	UNIT 單位 MM	SIZE. 紙張尺寸 A 4	PART NO. 料號 C0517-50MFXE10R
DATE 制表日 2012/10/19	PAGE 張數 2 OF 2	REV. 版次 C	