

• **MATERIALS:(RoHS Compliant)**

Housing: Plastic Thermoplastic  
P.B.T UL94V-0 Black

Contacts: Phosphor Bronze Gold  
Selective Plated

Front Shell: Steel Nickel Plated Over Copper

• **ELECTRICAL CHARACTERISTICS:**

Contact Current Rating: 0.5 Amp

Dielectric Withstanding Voltage: 500V AC

Insulation Resistance:  $>500\Omega/\text{Min}$

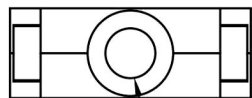
Contact Resistance:  $35\text{m}\Omega/\text{Max}$

Operation Temperature:  $-55^\circ\text{C} \sim +85^\circ\text{C}$

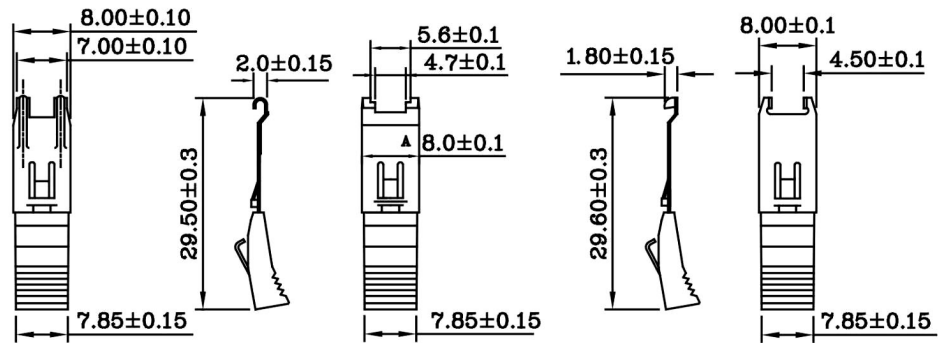
RoHS Compliant		<b>HSM</b> 玄茂科技股份有限公司 HSUAN MAO TECHNOLOGY CO., LTD.	
APPD. 核准	BETTY	 TOLERANCE 容許公差 .0 ± .00 ± ANG. ±	PART NAME 品名 1.27mm SCSI II CEN. SOLDER CONNECTOR 26P MALE ENTRY HOLE SIZE: $\phi 7.0$ SELECTIVE GOLD 5U" PLATING HOOD: IVORY ROHS
DWG. 製圖	BETTY		SCALE 比例 參考
DATE 制表日	2013/05/30	UNIT 單位 M M	SIZE. 紙張尺寸 A 4
		PAGE 張數 1 OF 2	REV. 版次 D

• MATERIALS:(RoHS Compliant)

Hood: Plastic Thermoplastic ABS UL 94V-0  
 Latch Cover: Plastic Thermoplastic ABS UL 94V-0  
 Latch: Stainless Steel  
 Inner Shell: Steel Nickel Plated Over Copper



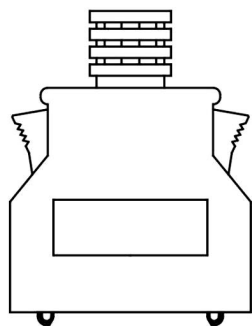
Entry Hole  $\phi 7.0$



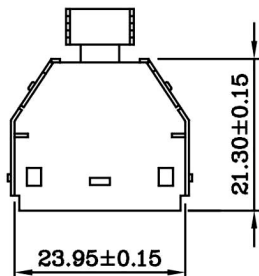
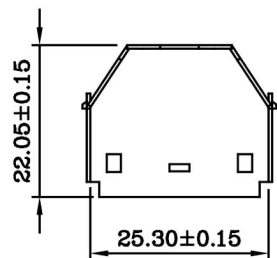
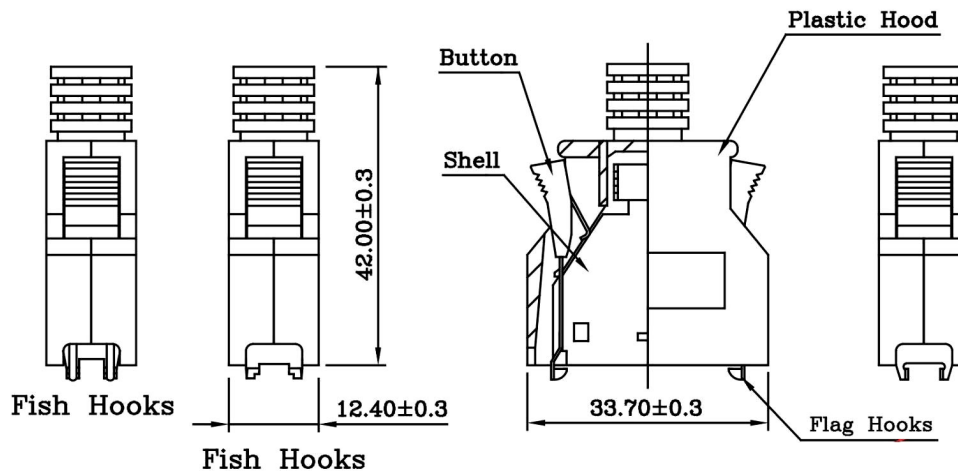
L: Fish Hooks

F: Fish Hooks

S: Flag Hooks



Fish Hooks



RoHS Compliant		HSM 玄茂科技股份有限公司 HSUAN MAO TECHNOLOGY CO., LTD.	
APPD. 核准 BETTY	SCALE 比例 参考	TOLERANCE 容許公差 .0 ± .00 ± ANG. ±	PART NAME 品名 1.27mm SCSI II CEN. SOLDER CONNECTOR 26P MALE ENTRY HOLE SIZE: $\phi 7.0$ SELECTIVE GOLD 5U" PLATING HOOD: IVORY ROHS
DWG. 製圖 BETTY	UNIT 單位 MM	SIZE. 紙張尺寸 A 4	PART NO. C0517-26MCXE10R
DATE 制表日 2013/05/30	PAGE 張數 2 OF 2	REV. 版次 D	料號