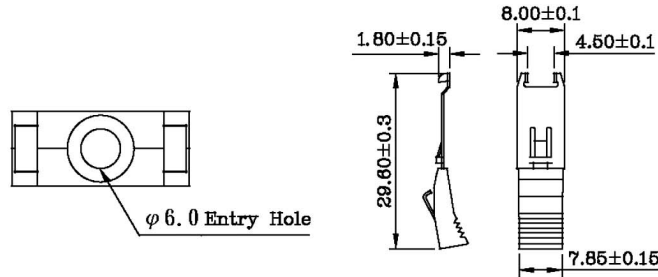
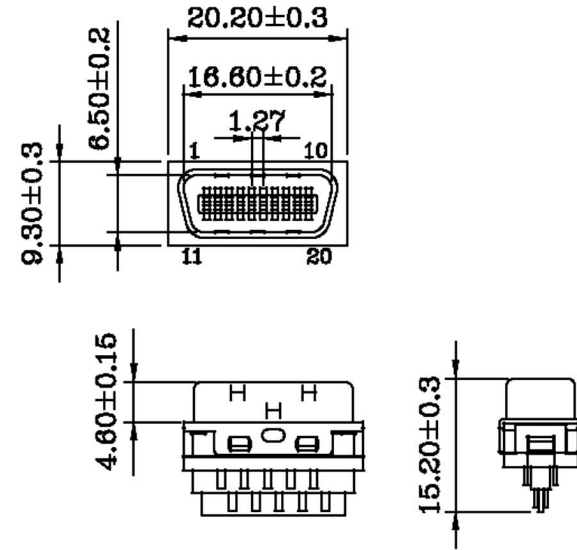


• **MATERIALS:(RoHS Compliant)**

Hood: Plastic Thermoplastic ABS UL 94V-0
 Latch Cover: Plastic Thermoplastic ABS UL 94V-0
 Latch: Stainless Steel
 Inner Shell: Steel Nickel Plated Over Copper



flag hook spring latches(Stainless Steel) T=0.3mm

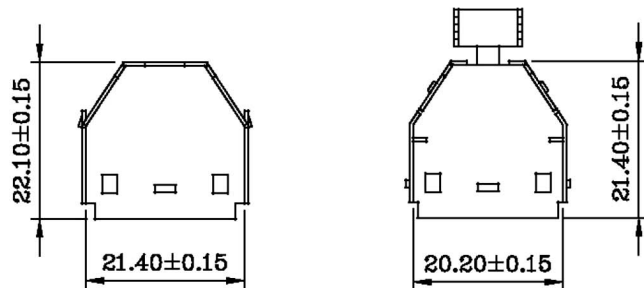
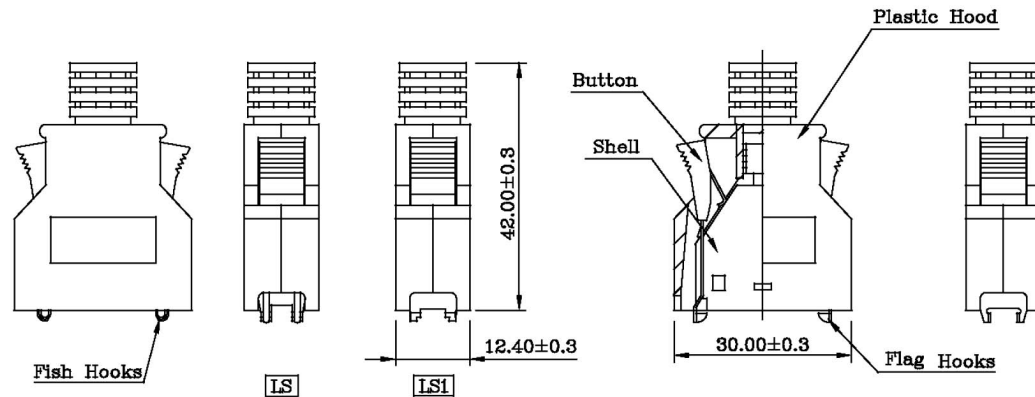


• **MATERIALS:(RoHS Compliant)**

Housing: Plastic Thermoplastic P.B.T UL94V-0 Black
 Contacts: Phosphor Bronze Gold Selective Plated
 Front Shell: Steel Nickel Plated Over Copper

• **ELECTRICAL CHARACTERISTICS:**

Contact Current Rating: 1 Amp
 Dielectric Withstanding Voltage: 500V AC
 Insulation Resistance: >500MΩ/Min
 Contact Resistance: 35mΩ/Max
 Operation Temperature: -55°C ~ +105°C



RoHS Compliant

HSM 玄茂科技股份有限公司
 HSIUAN MAO TECHNOLOGY CO., LTD.

APPD. 核准 Angel	 SCALE 比例 参考 UNIT 單位 M M PAGE 張數 1 OF 1	TOLERANCE 容許公差 .0 ± .00 ± ANG. ±	PART NAME 品名 1.27mm SCSI II CEN. SOLDER CONNECTOR 20P MALE FLAG HOOK SPRING LATCHES(STAINLESS STEEL)T=0.3mm ENTRY HOLE SIZE:φ6.0 HOOD:IVORY ROHS LOW-LEAD
DWG. 製圖 Yumi		SIZE 紙張尺寸 A 4	PART NO. 料號 C0517-20MBSXI0R
DATE 制表日 2011/02/08	REV. 版次 A		