

● **MATERIALS: (RoHS Compliant)**

Housing: Plastic Thermoplastic  
P.B.T UL94V-0 Black

Contacts: Phosphor Bronze Gold  
Selective Plated

Front Shell: Steel Nickel Plated Over Copper

● **ELECTRICAL CHARACTERISTICS:**

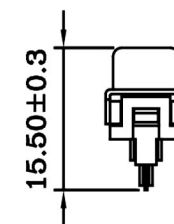
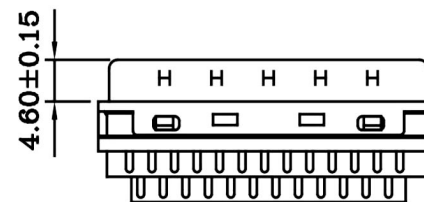
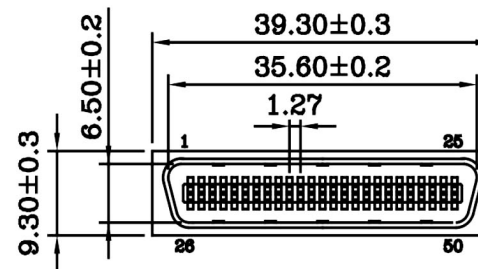
Contact Current Rating: 0.5 Amp

Dielectric Withstanding Voltage: 500V AC

Insulation Resistance: >500MΩ/Min

Contact Resistance: 35mΩ/Max

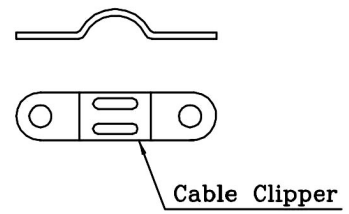
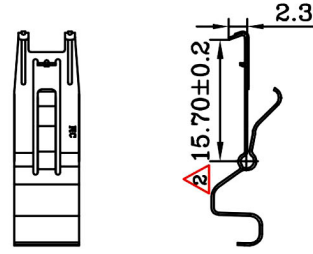
Operation Temperature: -55°C ~ +85°C



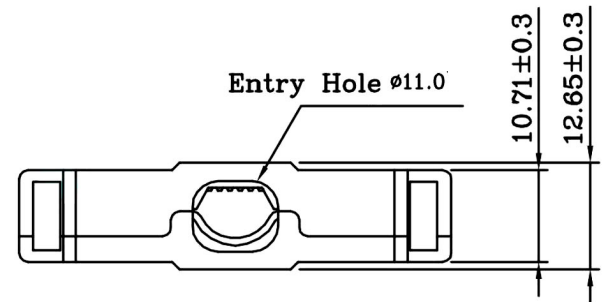
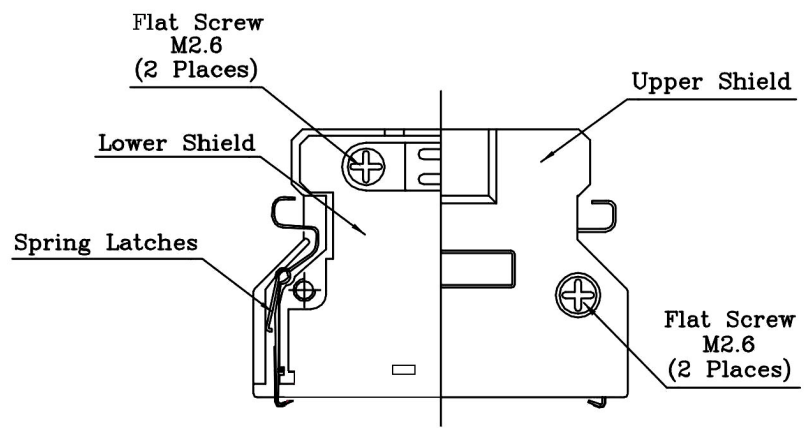
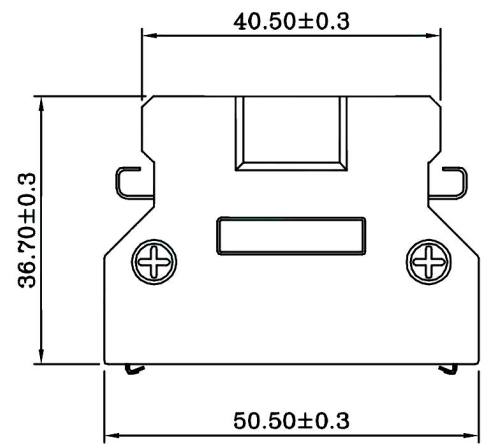
RoHS Compliant		<b>玄茂科技股份有限公司</b> <b>HSUAN MAO TECHNOLOGY CO., LTD.</b>	
APPD. 核准	SCALE 比例	TOLERANCE 容許公差	PART NAME 品名
DWG. 製圖	BETTY	.0 ± .00 ± ANG. ±	1.27mm SCSI II CEN. SOLDER CONNECTOR 50P MALE SPRING LATCHES((STAINLESS STEEL) METAL HOOD(ZINC PLATED NICKEL OVER COPPER) ENTRY HOLE SIZE:φ11mm SELECTIVE GOLD 5U" HP DB 50P MALE SOLDER ASSEMBLY ROHS
DATE 制表日	UNIT 單位	SIZE. 紙張尺寸	PART NO.
2017/06/13	M M	A 4	料號 C0515-50MCLEZ0R
	PAGE 張數	REV. 版次	
	1 OF 2	B	

● MATERIALS: (RoHS Compliant)

- Back Shell: Zinc Alloy Nickel Plated Over Copper
- Flat Screws: Steel Nickel Plated Over Copper
- Cable Clipper: Steel Nickel Plated Over Copper
- Spring Latches: Stainless Steel



《HP · CN》



RoHS Compliant		HSM 玄茂科技股份有限公司 HSUAN MAO TECHNOLOGY CO., LTD.	
APPD. 核准	SCALE 比例 参考	SIZE. 紙張尺寸 A 4	PART NAME 品名
DWG. 製圖 BETTY	UNIT 單位 M M		1.27mm SCSI II CEN. SOLDER CONNECTOR 50P MALE SPRING LATCHES((STAINLESS STEEL)METAL HOOD(ZINC PLATED NICKEL OVER COPPER) ENTRY HOLE SIZE:φ11mm SELECTIVE GOLD 5U" HP DB 50P MALE SOLDER ASSEMBLY ROHS
DATE 制表日 2017/06/13	PAGE 張數 1 OF 2	REV. 版次 B	PART NO. 料號 C0515-50MCLEZ0R