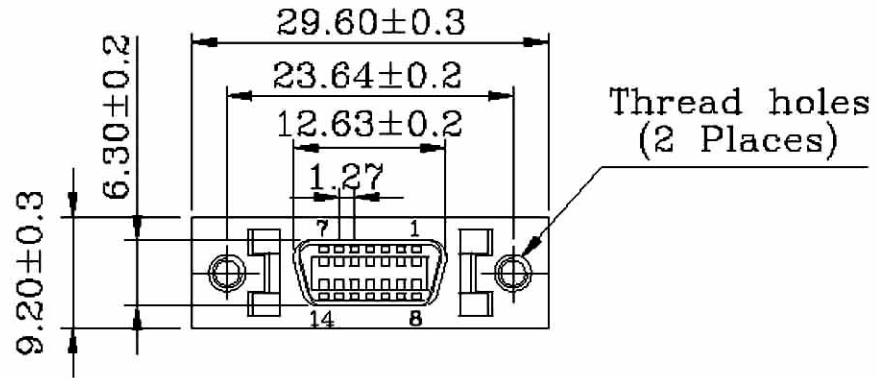


• **MATERIALS:(RoHS Compliant)**

Housing: Plastic thermoplastic
 P.B.T UL94V-0 black
 Contacts: Phosphor bronze gold
 selective plated
 Front Shell: Steel nickel plated
 over copper
 Bracket: Steel,Nickel Plated over
 copper

• **ELECTRICAL CHARACTERISTICS**

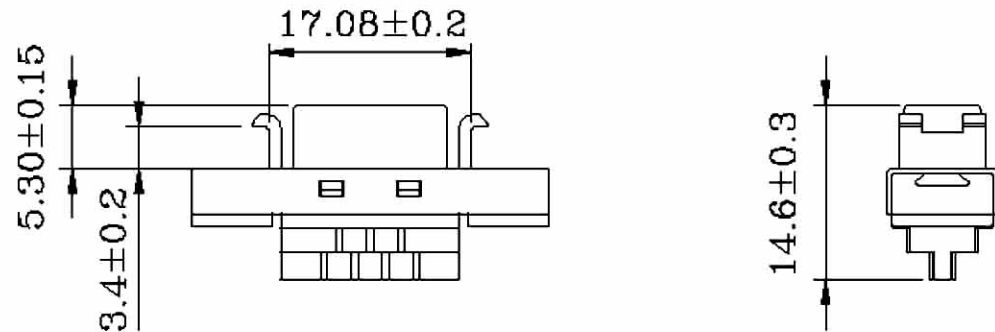
Contact Current Rating: 1 Amp
 Dielectric Withstanding Voltage: 500V AC
 Insulation Resistance: 500MΩ/Min
 Contact Resistance: 35mΩ/Max
 Operation Temperature: -55°C ~ +105°C



C0514 - 14 F A X X B 0 R

1 2 3 4 5 6 7 8

- 1.CONTACT NO.:**
14
- 2.CONTACT TYPE:**
F : FEMALE
- 3.SHELL OPTION:**
A : METAL SHELL W/ FRONT LATCH
- 4.MOUNTING OPTION:**
A : THERAD INSERT 2-56UNC
 B : THREAD INSERT 4-40UNC
 D : THREAD INSERT M2.6
- 5.CONTACT PLATING:**
 E : SELECTIVE GOLD 5U"
 H : SELECTIVE GOLD 15U"
 I : SELECTIVE GOLD 30U"
- 6.INSULATOR COLOR:**
B : BLACK INSULATOR
- 7.FILL IT WITH "0"**
- 8.ROHS LOW-LEAD**



| | | |
|---------------------------|--|---|
| RoHS Compliant | HSM 玄茂科技股份有限公司 HSUAN MAO TECHNOLOGY CO., LTD. | |
| APPD. 核准 <i>Betty</i> | TOLERANCE 容許公差 0.00 ± ANG. ± | PART NAME 品名 SCSI-II CENTRONIC SOLDER TYPE CONNECTOR 1.27mm 14P FEMALE METAL SHELL W/FRONT LATCH BLACK COLOR ROHS LOW-LEAD |
| DWG. 製圖 <i>Jolin</i> | | |
| DATE 制表日 2006/09/07 | UNIT 單位 MM | SIZE. 紙張尺寸 A4 |
| | PAGE 張數 1/2 | REV. 版本 A |
| | | PART NO. 料號 C0514-14FAXXB0R |