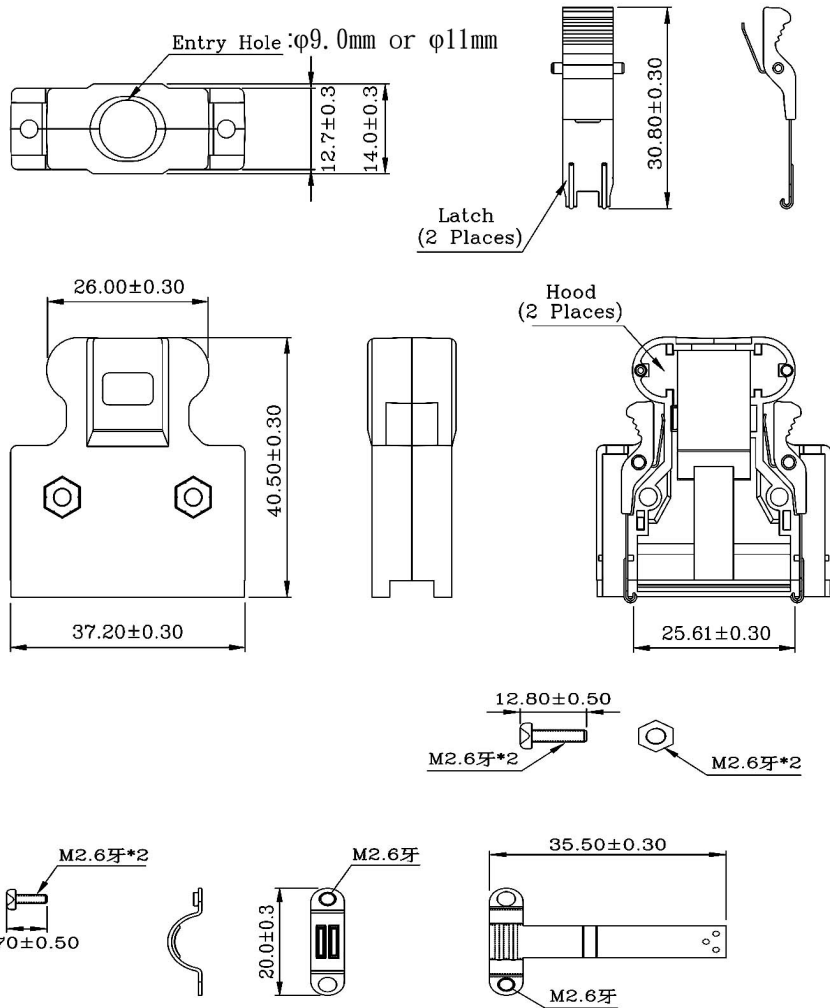


● MATERIALS: (RoHS Compliant)

Hood: Plastic Thermoplastic PBT UL 94V-0  
 Latch & Hood: Plastic Thermoplastic PBT UL 94V-0  
 Latch: Stainless Steel  
 Jackscrews: Steel Nickel Plated Over Copper  
 Hex Nuts: Steel Nickel Plated Over Copper  
 Cable Clipper: Steel Nickel Plated Over Copper  
 Screws: Steel Nickel Plated Over Copper

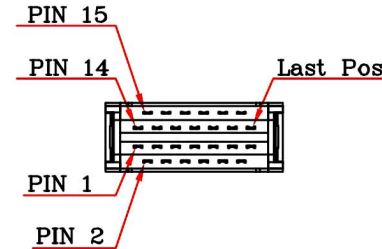
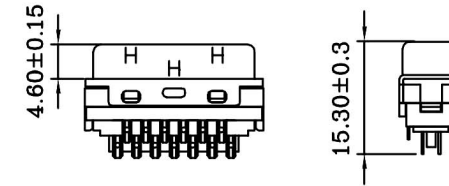
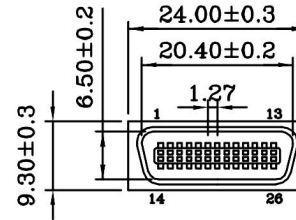


● MATERIALS: (RoHS Compliant)

Housing: Plastic Thermoplastic P.B.T UL94V-0 Black  
 Contacts: Phosphor Bronze Gold Selective Plated  
 Front Shell: Steel Nickel Plated Over Copper

● ELECTRICAL CHARACTERISTICS:

Contact Current Rating: 0.5 Amp  
 Dielectric Withstanding Voltage: 500V AC  
 Insulation Resistance:  $>500\text{M}\Omega/\text{Min}$   
 Contact Resistance:  $35\text{m}\Omega/\text{Max}$   
 Operation Temperature:  $-55^\circ\text{C} \sim +85^\circ\text{C}$



RoHS Compliant		HSM 玄茂科技股份有限公司 HSUAN MAO TECHNOLOGY CO., LTD.	
APFD. 核准	SCALE 比例	TOLERANCE 容許公差	PART NAME 品名
DWG. 製圖	UNIT 單位	SIZE. 紙張尺寸	1.27mm SCSI II CEN. SOLDER CONNECTOR 26P MALE FISH HOOK SPRING LATCHES(STAINLESS STEEL T=0.3mm ENTRY HOLE SIZE: $\phi 9\text{mm}$ OR $\phi 11\text{mm}$ SELECTIVE GOLD 5U" PLATING HOOD: BLACK COLOR ROHS
DATE 制表日	PAGE 張數	REV. 版次	PART NO. 料號
2018/01/10	1 OF 1	A	C0510-26M(F,K)LEB0R