

● **MATERIALS: (RoHS Compliant)**

Housing: Plastic Thermoplastic
 P.B.T UL94V-0 Black
 Contacts: Phosphor Bronze Gold
 Selective Plated
 Front Shell: Steel Nickel Plated Over Copper

● **ELECTRICAL CHARACTERISTICS:**

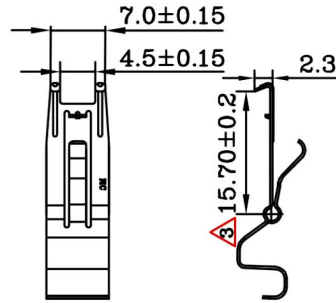
Contact Current Rating: 0.5 Amp
 Dielectric Withstanding Voltage: 500V AC
 Insulation Resistance: >500MΩ/Min
 Contact Resistance: 35mΩ/Max
 Operation Temperature: -55°C ~ +85°C

APPD. 核准 HELEN			TOLERANCE 容許公差 .0 ± 0.30 .00 ± 0.20 ANG. ± 3°		PART NAME 品名 1.27mm SCSI II CEN. SOLDER CONNECTOR 68P MALE SPRING LATCHES(STAINLESS STEEL) METAL HOOD(ZINC PLATED NICKEL OVER COPPER) ENTRY HOLE SIZE:φ11mm HP CEN. 68P MALE SOLDER ASSEMBLY ROHS
DWG. 製圖 ABBY			SCALE 比例 參考		
DATE 制表日 2017/03/20		UNIT 單位 MM		PART NO. 料號 C0509-68MCLXZ0R	
PAGE 張數 1 OF 2		REV. 版次 C			

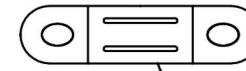
HSM 玄茂科技股份有限公司
HSUAN MAO TECHNOLOGY CO., LTD.

● **MATERIALS: (RoHS Compliant)**

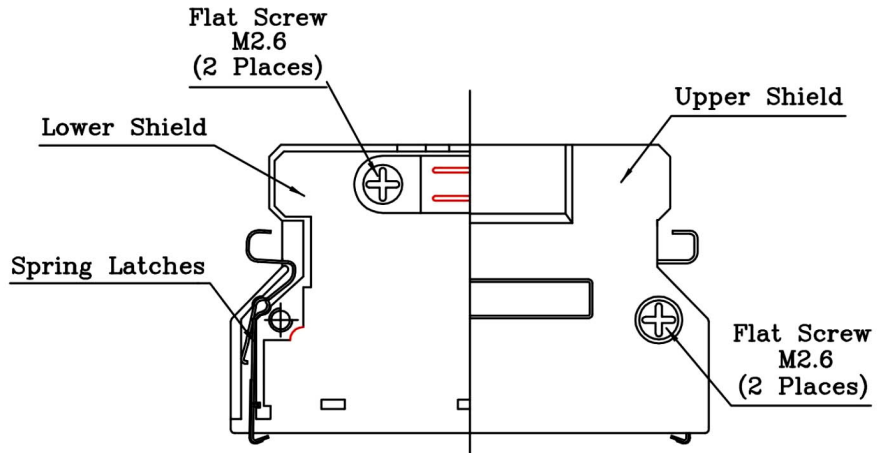
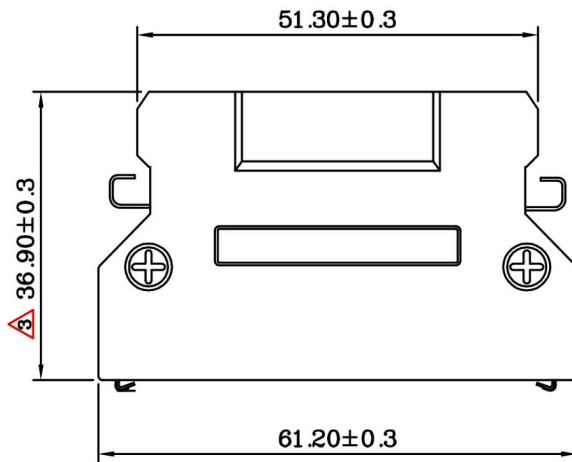
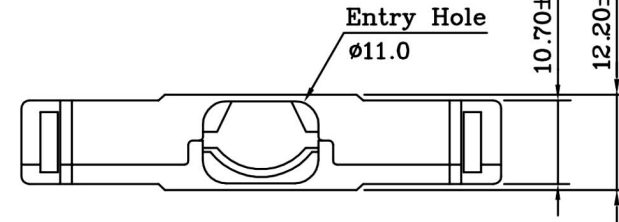
- Back Shell: Zinc Alloy Nickel Plated Over Copper
- Flat Screws: Steel Nickel Plated Over Copper
- Cable Clipper: Steel Nickel Plated Over Copper
- Spring Latches: Stainless Steel



《HP · CN》



3 Cable Clipper



RoHS Compliant		HSM 玄茂科技股份有限公司 HSUAN MAO TECHNOLOGY CO., LTD.	
APPD. 核准 HELEN	 SCALE 比例 参考 UNIT 單位 M M PAGE 張數 2 OF 2	TOLERANCE 容許公差 .0 ± 0.30 .00 ± 0.20 ANG. ± 3°	PART NAME 品名 1.27mm SCSI II CEN. SOLDER CONNECTOR 68P MALE SPRING LATCHES(STAINLESS STEEL) METAL HOOD(ZINC PLATED NICKEL OVER COPPER) ENTRY HOLE SIZE:φ11mm HP CEN. 68P MALE SOLDER ASSEMBLY ROHS
DWG. 製圖 ABBY		SIZE. 紙張尺寸 A 4	PART NO. 料號 C0509-68MCLXZ0R
DATE 制表日 2017/03/20	REV. 版次 C		