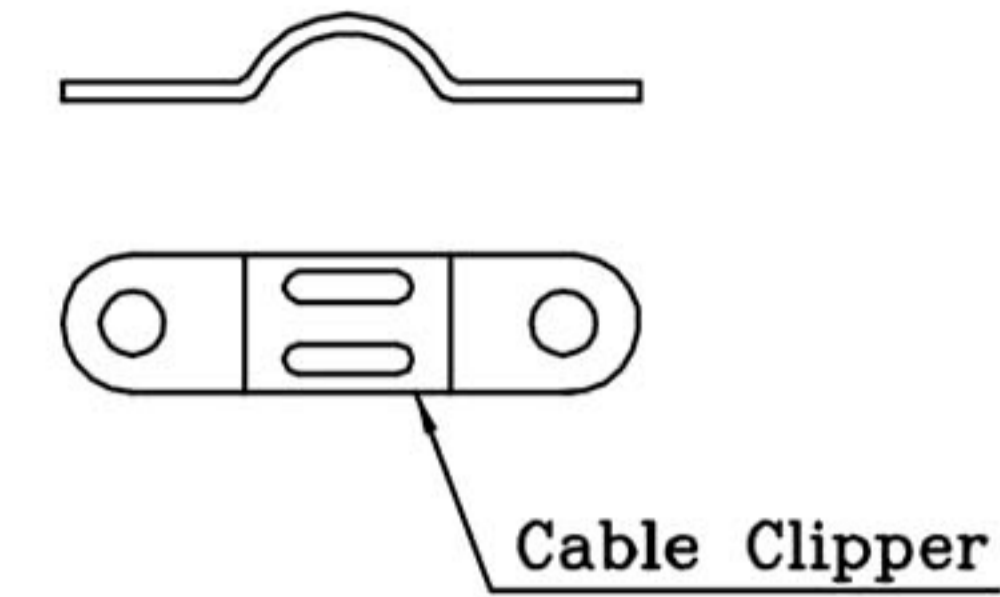
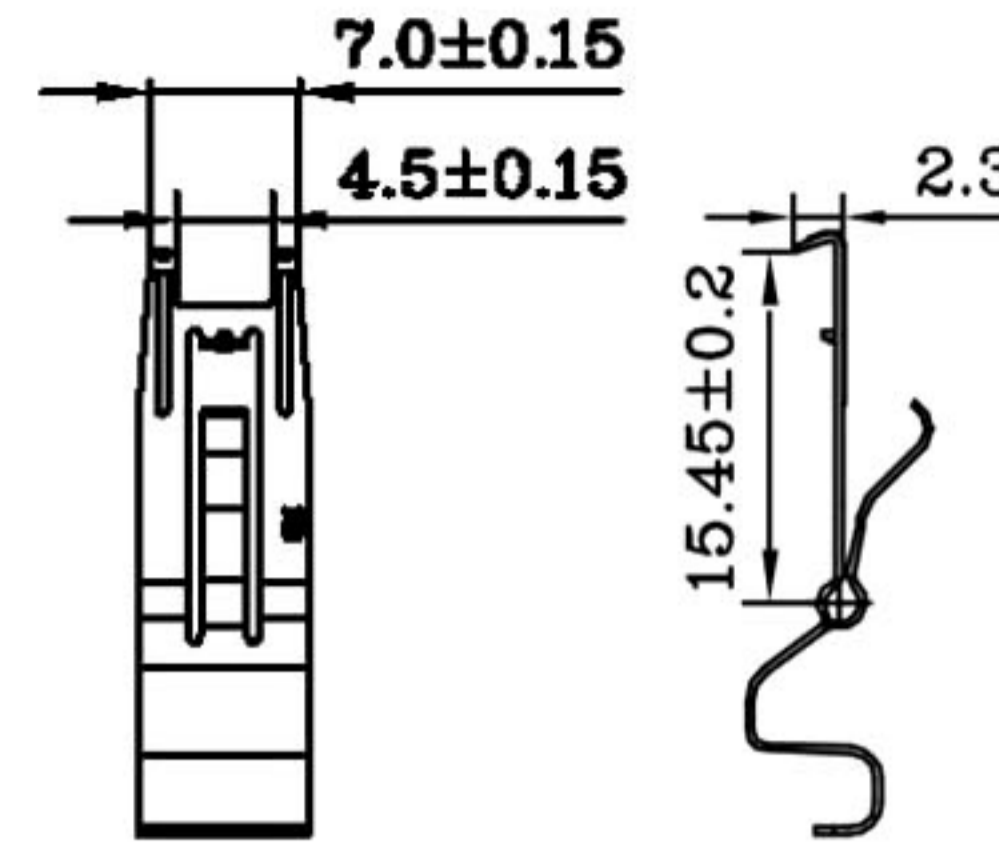


● **MATERIALS: (RoHS Compliant)**

Housing: Plastic Thermoplastic
 P.B.T UL94V-0 Black
 Contacts: Phosphor Bronze Gold
 Selective Plated
 Front Shell: Steel Nickel Plated Over Copper

● **ELECTRICAL CHARACTERISTICS:**

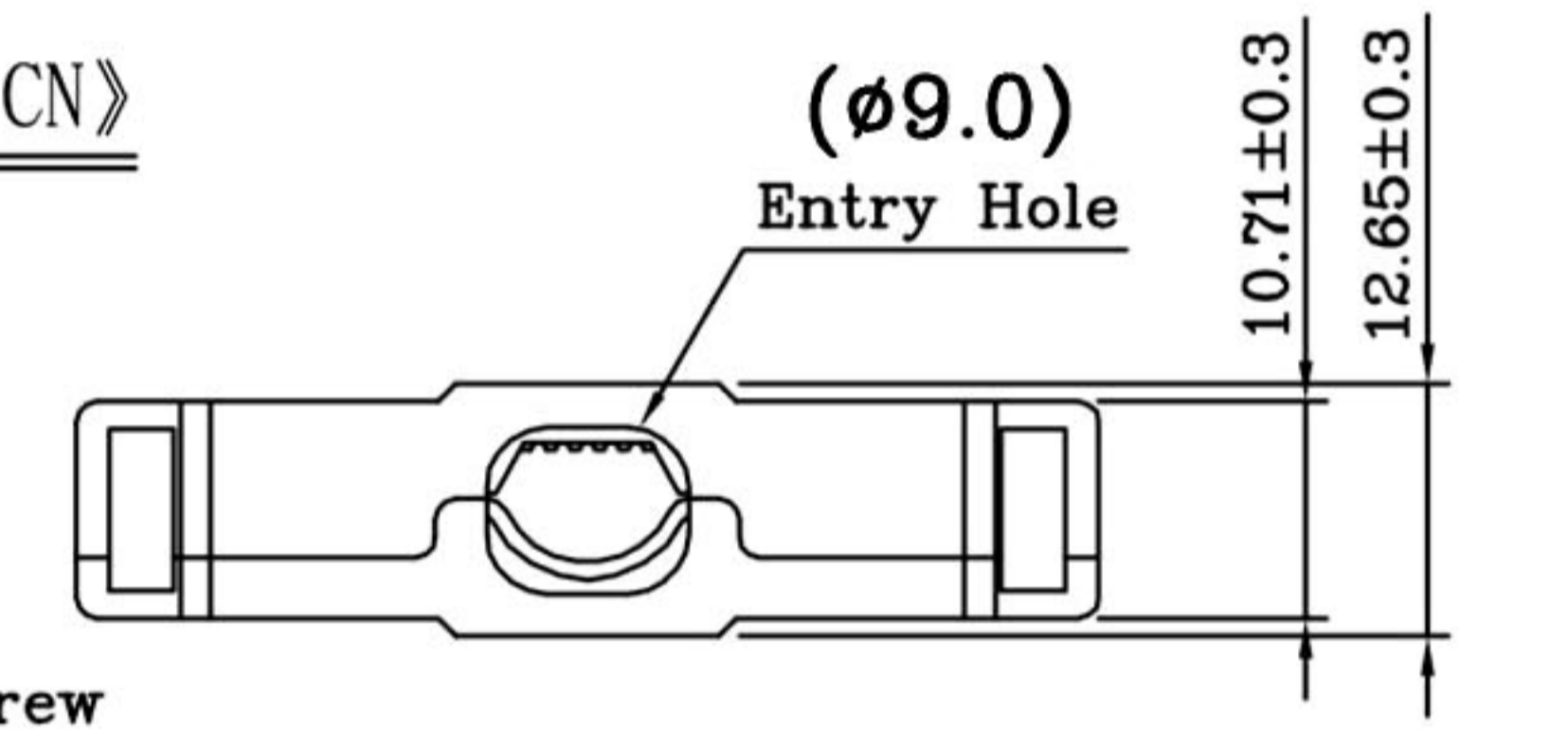
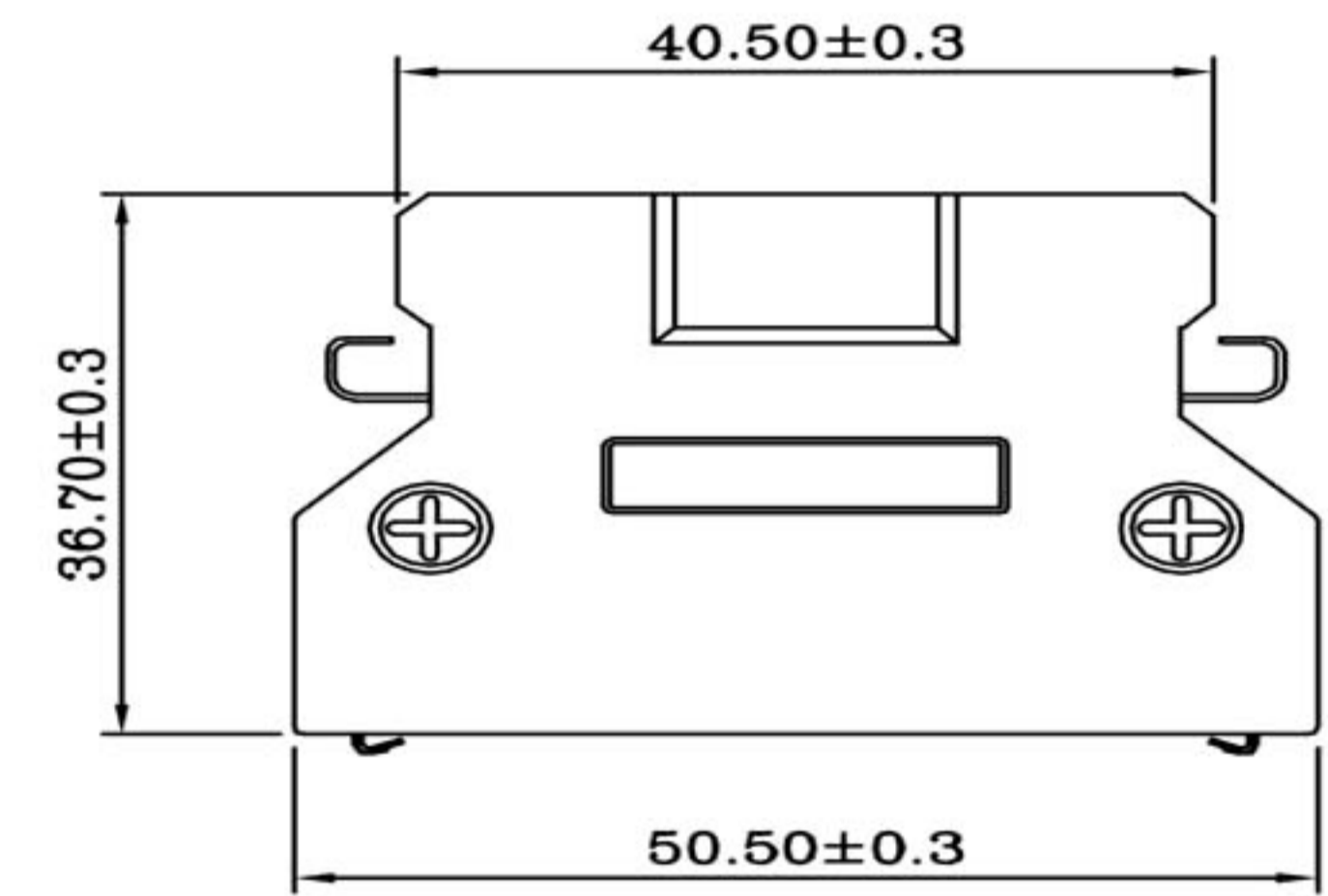
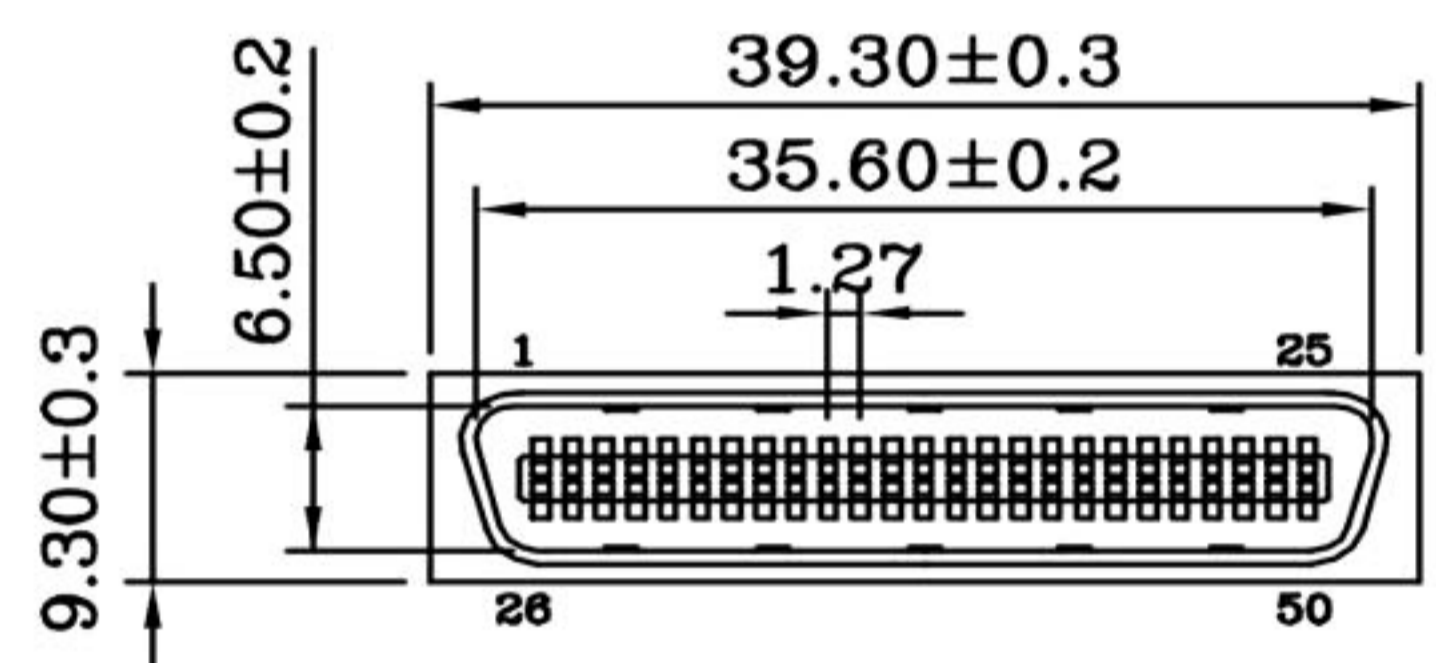
Contact Current Rating: 0.5 Amp
 Dielectric Withstanding Voltage: 500V AC
 Insulation Resistance: >500MΩ/Min
 Contact Resistance: 35mΩ/Max
 Operation Temperature: -55°C ~ +85°C



《HP · CN》

(∅9.0)
Entry Hole

10.71±0.3
12.65±0.3



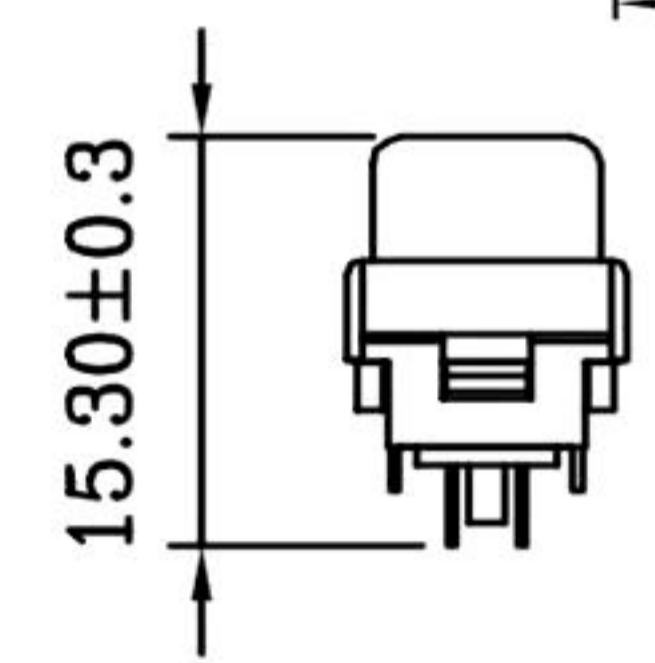
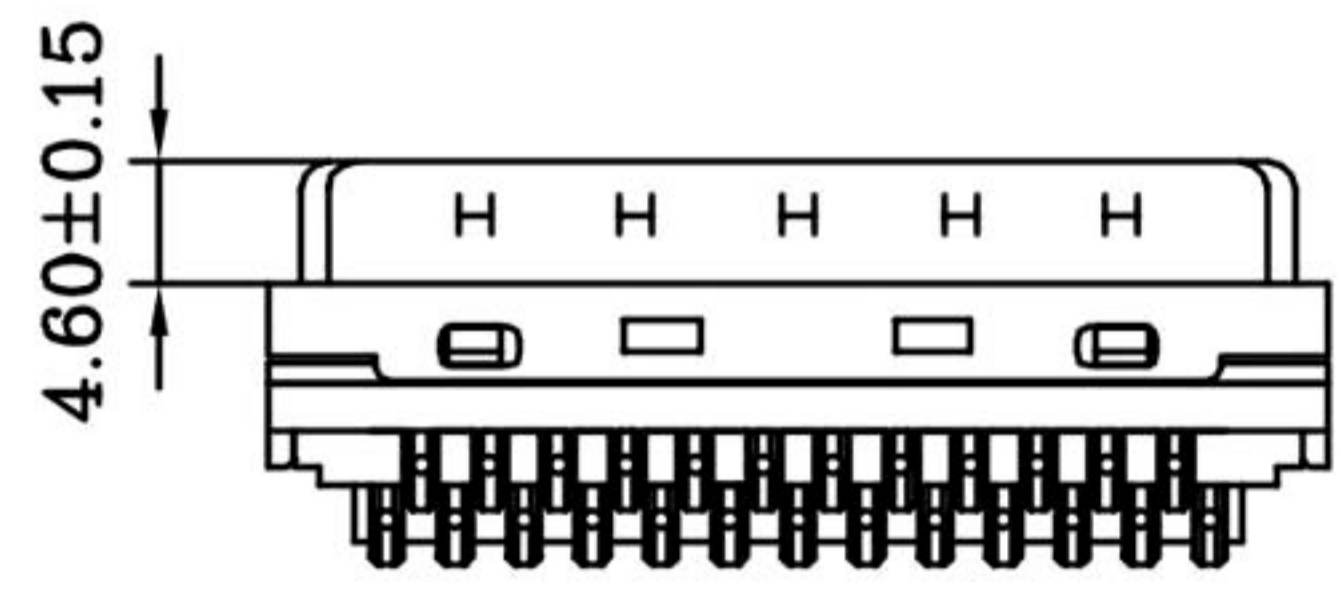
Flat Screw
M2.6
(2 Places)

Upper Shield

Lower Shield

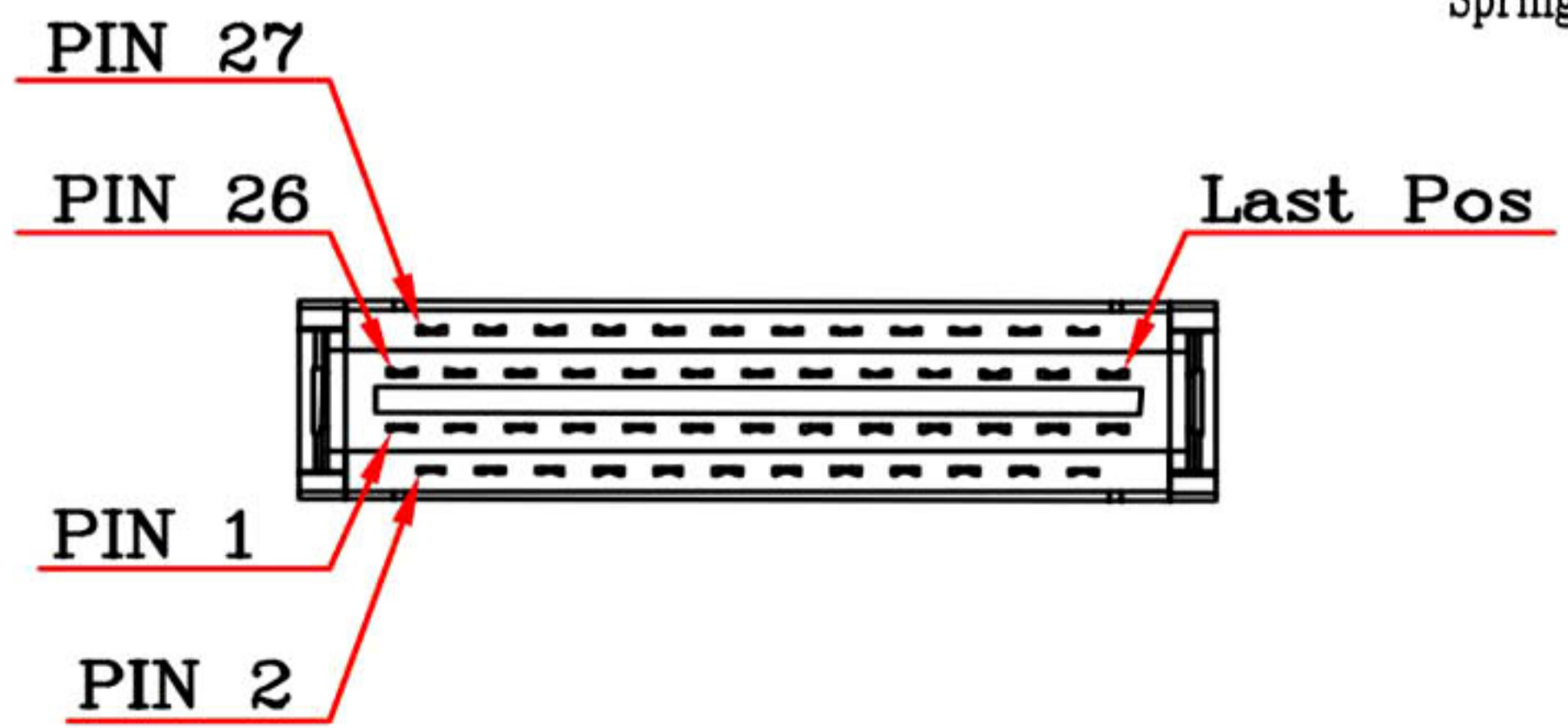
Spring Latches

Flat Screw
M2.6
(2 Places)



● **MATERIALS: (RoHS Compliant)**

Back Shell: Zinc Alloy Nickel Plated Over Copper
 Flat Screws: Steel Nickel Plated Over Copper
 Cable Clipper: Steel Nickel Plated Over Copper
 Spring Latches: Stainless Steel



RoHS Compliant		HSM 玄茂科技股份有限公司 HSUAN MAO TECHNOLOGY CO., LTD.	
APPD. 核准	SCALE 比例 参考	TOLERANCE 容許公差 .0 ±0.25 .00 ± ANG. ±	PART NAME 品名 1.27mm SCSI II CEN. SOLDER CONNECTOR 50P MALE SPRING LATCHES (STAINLESS STEEL) METAL HOOD(ZINC PLATED NICKEL OVER COPPER) ENTRY HOLE SIZE:∅9mm SELECTIVE GOLD 5U" HP DB 50P MALE SOLDER ASSEMBLY ROHS
DWG. 製圖 Helen	UNIT 單位 MM	SIZE 紙張尺寸 A4	PART NO. 料號 C0509-50MBLEZOR
DATE 制表日 2012/9/5	PAGE 張數 1 OF 1	REV. 版本 B	