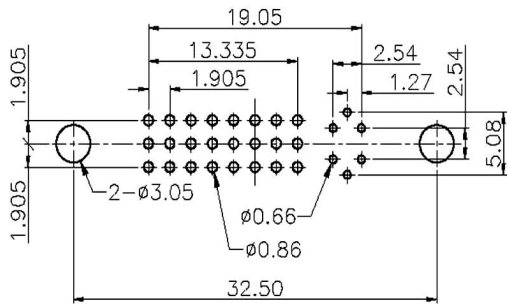
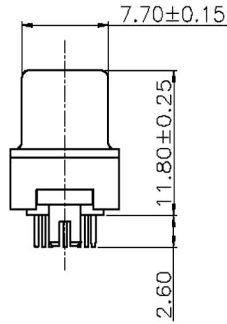
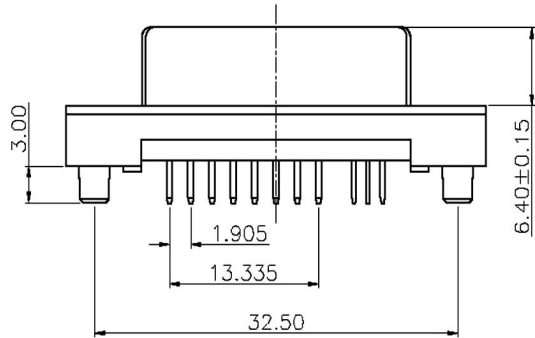


NOTE
 MATERIAL
 BODY&LATCH: NY66 RATED.
 CONTACTS: PHOSPHOR BRONZE
 GROUND CONTACT:BRASS
 SHELL:ZINC ALLOY
 RIVET:BRASS
 CONTACT PLATING: GOLD PLATING OVER NICKEL
 ELECTRICAL SPECIFICATION
 CURRENT RATING: 1.5A;
 VOLTAGE RATING: 40V;
 CONTACT RESISTANCE: 30mΩ MAX.
 INSULATION RESISTANCE:1000MΩ MIN 500V DC.
 DIELECTRIC WITHSTANDING VOLTAGE:500V AC
 ENVIRONMENTAL
 OPERRATING TEMPERATURE: -20°C~80°C.

NOTES
 MATERIALS: BRASS



RECOMMENDED PCB LAYOUT

APPD. 核准 Angel DWG. 製圖 Yumi DATE 制表日 2010/01/27		RoHS Compliant	HSM 玄茂科技股份有限公司 HSUAN MAO TECHNOLOGY CO., LTD.		PART NAME 品名 DVI CONNECTOR INTEGRATED 29P FEMALE STRAIGHT TYPE W/O SCREWS SELECTIVE GOLDWHITE INSULATOR ROHS
SCALE 比例 參考 UNIT 單位 MM PAGE 張數 1 OF 1		TOLERANCES- UNLESS OTHERWISE SPECIFIED XX ±0.30 XX' ±5" XXX ±0.20 XXX' ±1" XXXX ±0.10 XXXX' ±0.5"	SIZE 紙張尺寸 A 4 REV. 版次 A		PART NO. 料號 C0507-29FSASW0R