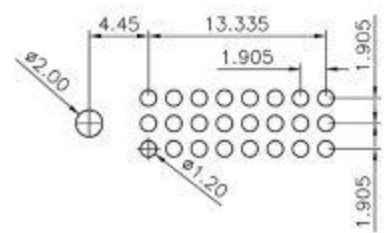
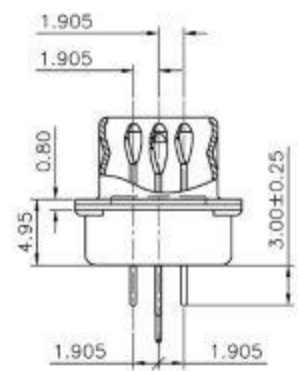
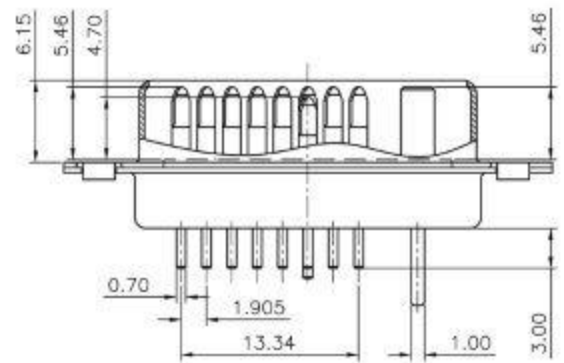
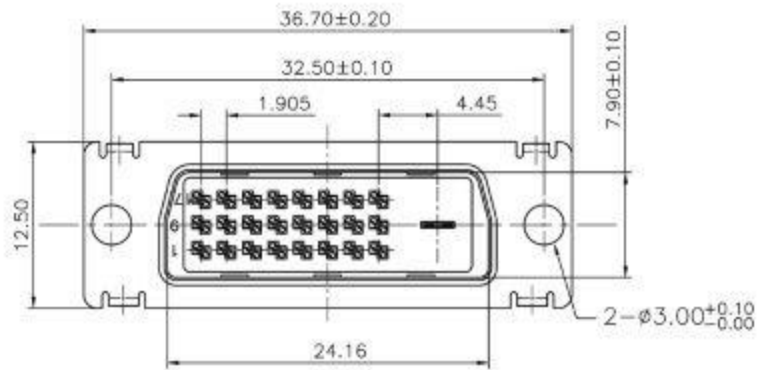


1 2 3 4 5 6 7 8

A
B
C
D
E
F
G
H

A
B
C
D
E
F
G
H



P. C. B. LAYOUT

NOTE
 MATERIAL
 INSULATOR: PBT +30%GF
 CONTACTS: BRASS
 SHELL: SPCC
 CONTACT PLATING: GOLD PLATING OVER NICKEL
 ELECTRICAL SPECIFICATION
 CURRENT RATING: 1.5A;
 VOLTAGE RATING: 40V;
 CONTACT RESISTANCE: 30mΩ MAX.
 INSULATION RESISTANCE:1000MΩ MIN 500V DC.
 DIELECTRIC WITHSTANDING VOLTAGE:500V AC
 ENVIRONMENTAL
 OPERRATING TEMPERATURE:-30° C~55° C

RoHS Compliant		HSM 玄茂科技股份有限公司 HSUAN MAO TECHNOLOGY CO., LTD.	
APPD. 核准 DWG. 製圖 Hedy DATE 製表日 2020/07/02	SCALE 比例 參考 UNIT 單位 MM PAGE 張數 1/1	-TOLERANCES- UNLESS OTHERWISE SPECIFIED D.X .254 D.Y .254 D.Z .254 D.W .254 D.V .254 D.U .254	PART NAME 品名 DVI CONNECTOR DIGITAL 24 MALE STRAIGHT TYPE W/O SCREWS SELECTIVE GOLD WHITE INSULATOR ROHS PART NO. 料號 C0507-24MSASW0R

1 2 3 4 5 6 7 8