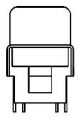
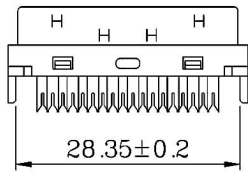


1 2 3 4 5 6 7 8

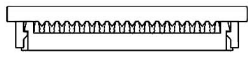
A



● MATERIALS: (RoHS Compliant)

Housing And Cover: Plastic Thermoplastic
 P.B.T UL94V-0 Black
 Contacts: Phosphor Bronze Gold
 Selective Plated
 Front Shell: Steel Nickel Plated
 Over Copper

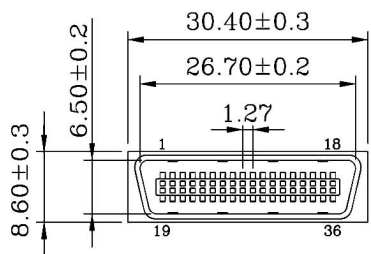
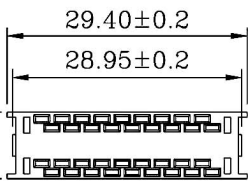
B



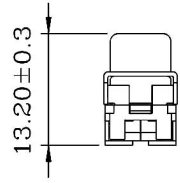
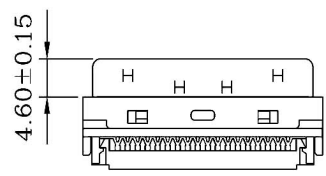
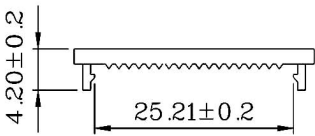
● ELECTRICAL CHARACTERISTICS:

Contact Current Rating: 0.5 Amp
 Dielectric Withstanding Voltage: 500V AC
 Insulation Resistance: >500MΩ/Min
 Contact Resistance: 35mΩ/Max
 Operation Temperature: -55°C ~ +85°C

C



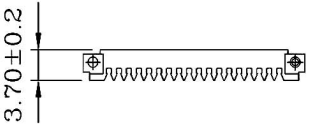
D



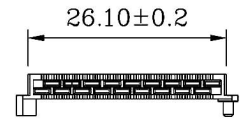
E

Termination Cover
(1 Places)

F



G



Wire Holder=0.62mm
(2 Places)

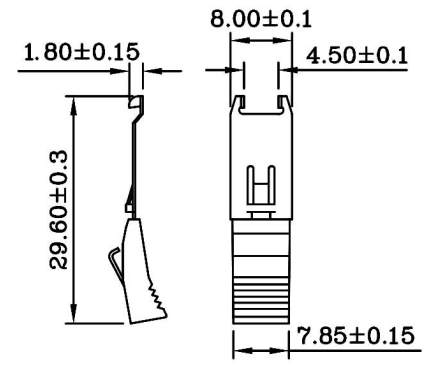
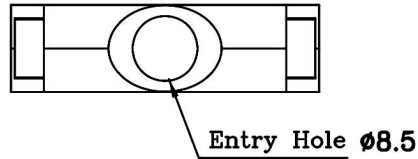
H

RoHS Compliant		HSM 玄茂科技股份有限公司 HSUAN MAO TECHNOLOGY CO., LTD.	
APPD. 核准	SCALE 比例 参考	TOLERANCE 容許公差	PART NAME 品名
DWG. 製圖		UNIT 單位	1.27mm SCSI II CENTRONIC IDC TYPE CONNECTOR 36P MALE FLAG HOOK SPRING LATCH T=0.3mm ENTRY HOLE SIZE:φ8.5 WIRE HOLDER:0.62mm(FOR 28AWG) SELECTIVE GOLD 5U" PLATING PLASTIC HOOD:IVORY COLOR HP CEN. 36P MALE ROHS
DATE 制表日	PAGE 張數	SIZE. 紙張尺寸	PART NO.
2018/06/20	1 OF 2	ANG. ± 3° A 4	料號 C0506-36MJSEI0R

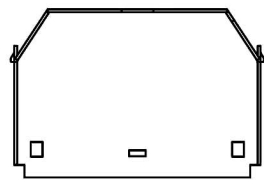
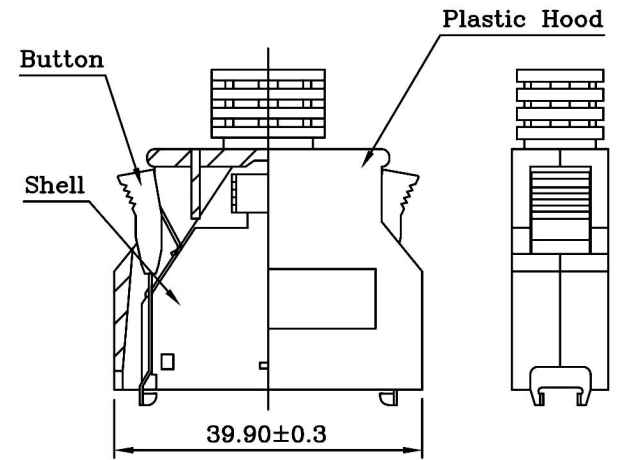
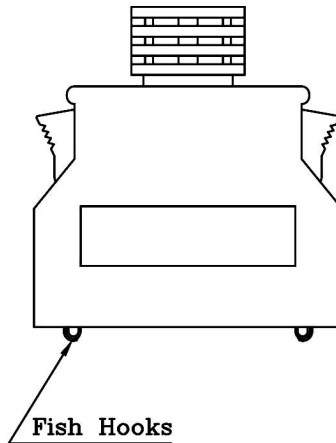
1 2 3 4 5 6 7 8

• MATERIALS:(RoHS Compliant)

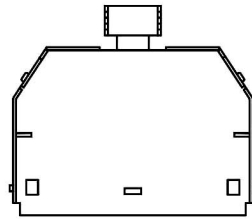
Hood: Plastic Thermoplastic ABS UL 94V-0
 Latch Cover: Plastic Thermoplastic ABS UL 94V-0
 Latch: Stainless Steel
 Inner Shell: Steel Nickel Plated Over Copper



Flag Hooks



Upper Cover



Lower Cover

RoHS Compliant		HSM 玄茂科技股份有限公司 HSUAN MAO TECHNOLOGY CO., LTD.	
APPD. 核准	SCALE 比例	TOLERANCE 容許公差	PART NAME 品名
DWG. 製圖	Betty	.0 ± 0.30 .00 ± 0.20 ANG. ± 3°	1.27mm SCSI II CENTRONIC IDC TYPE CONNECTOR 36P MALE FLAG HOOK SPRING LATCH T=0.3mm ENTRY HOLE SIZE: $\varnothing 8.5$ WIRE HOLDER: 0.62mm (FOR 28AWG) SELECTIVE GOLD 5U" PLATING PLASTIC HOOD: IVORY COLOR HP CEN. 36P MALE ROHS
	DATE 制表日	UNIT 單位	PART NO.
2018/06/20	M M	PAGE 張數	料號 C0506-36MJSEI0R
	2 OF 2	REV. 版次	
		A	