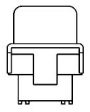
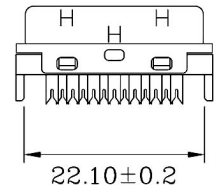


1 2 3 4 5 6 7 8

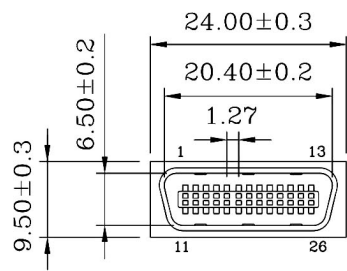
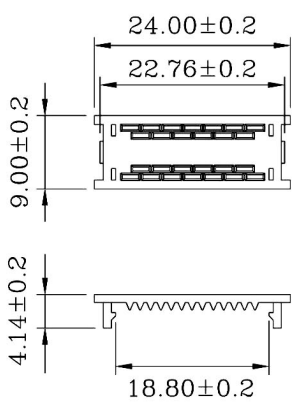
A
B
C
D
E
F
G
H



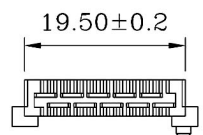
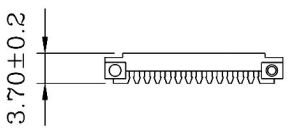
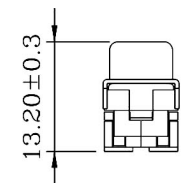
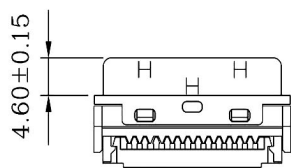
● **MATERIALS: (RoHS Compliant)**
 Housing And Cover: Plastic Thermoplastic
 P.B.T UL94V-0 Black
 Contacts: Phosphor Bronze Gold
 Selective Plated
 Front Shell: Steel Nickel Plated
 Over Copper



● **ELECTRICAL CHARACTERISTICS:**
 Contact Current Rating: 0.5 Amp
 Dielectric Withstanding Voltage: 500V AC
 Insulation Resistance: >500MΩ/Min
 Contact Resistance: 35mΩ/Max
 Operation Temperature: -55°C ~ +85°C



Termination Cover
(1 Places)



Wire Holder: (0.62mm / 28Awg)
(2 Places)

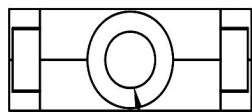
RoHS Compliant		玄茂科技股份有限公司 HSUAN MAO TECHNOLOGY CO., LTD.	
APPD. 核准	SCALE 比例	TOLERANCE 容許公差	PART NAME 品名
DWG. 製圖	UNIT 單位	SIZE 紙張尺寸	1.27mm SCSI II CENTRONIC IDC TYPE CONNECTOR
DATE 制表日	PAGE 張數	REV. 版次	26P MALE FLAG HOOK SPRING LATCH T=0.3mm
2018/06/28	1 OF 2	B	ENTRY HOLE SIZE:φ7.0mm WIRE HOLDER:0.62mm(FOR 28AWG)
Betty			SELECTIVE GOLD 5U" PLATING PLASTIC HOOD:IVORY COLOR
			HP.CEN. 26P MALE ROHS
			PART NO. C0506-26MCSEI0R
			料號

1 2 3 4 5 6 7 8

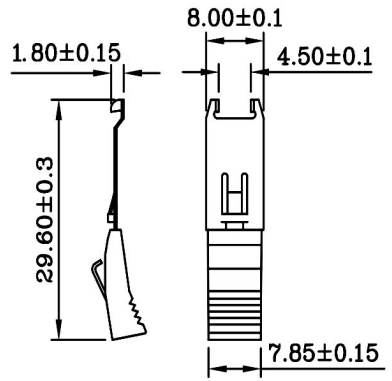
1 2 3 4 5 6 7 8

A
B
C
D
E
F
G
H

A
B
C
D
E
F
G
H



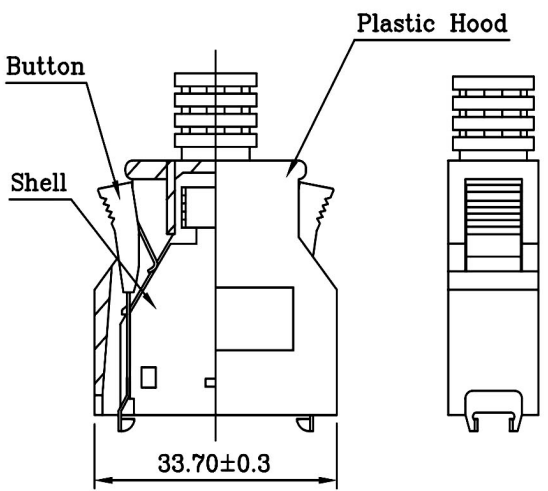
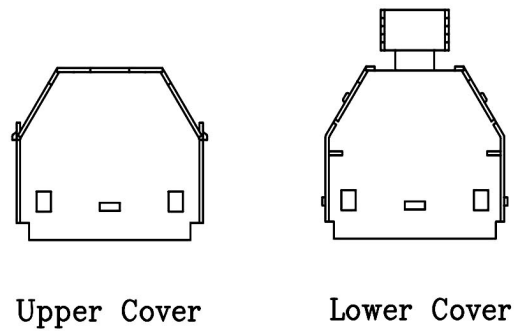
Entry Hole : $\phi 7.0\text{mm}$



• MATERIALS:(RoHS Compliant)

- Hood: Plastic Thermoplastic ABS UL 94V-0
- Latch Cover: Plastic Thermoplastic ABS UL 94V-0
- Latch: Stainless Steel
- Inner Shell: Steel Nickel Plated Over Copper

SS: Flag Hooks



RoHS Compliant		玄茂科技股份有限公司 HSUAN MAO TECHNOLOGY CO., LTD.	
APPD. 核准	 SCALE 比例 参考 UNIT 單位 M M PAGE 張數 2 OF 2	TOLERANCE 容許公差 .0 ± 0.30 .00 ± 0.20 ANG. ± 3°	PART NAME 品名 1.27mm SCSI II CENTRONIC IDC TYPE CONNECTOR 26P MALE FLAG HOOK SPRING LATCH T=0.3mm ENTRY HOLE SIZE: $\phi 7.0\text{mm}$ WIRE HOLDER:0.62mm(FOR 28AWG) SELECTIVE GOLD 5U" PLATING PLASTIC HOOD:IVORY COLOR HP.CEN. 26P MALE ROHS
DWG. 製圖 Betty		SIZE. 紙張尺寸 A 4	
DATE 制表日 2018/06/28	REV. 版次 B	PART NO. 料號 C0506-26MCSEI0R	

1 2 3 4 5 6 7 8