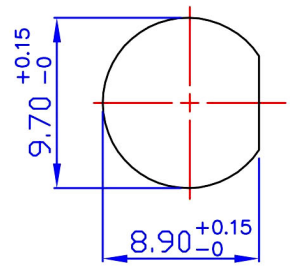
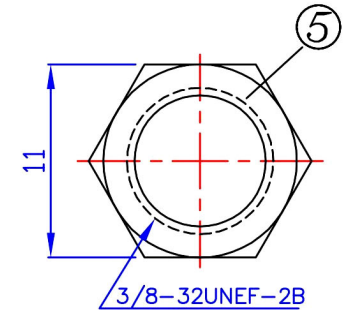


RECOMMENDED PC BOARD LAYOUT
WITHOUT MOUNTING POSTS



RECOMMENDED
MOUNTING HOLE



HEX. NUT

MATERIAL & FINISH

- ① CENTER CONTACT : PHOSPHOR BRONZE, TIN PLATING
- ② BODY : ZINC ALLOY, NICKEL PLATING
- ③ INSULATOR : TPX
- ④ WASHER : STEEL, NICKEL PLATING
- ⑤ NUT : IRON, NICKEL PLATING

RoHS Compliant		玄茂科技股份有限公司 HSUAN MAO TECHNOLOGY CO., LTD.	
APPD. 核准	BETTY	SCALE 比例 参考 UNIT 單位 M M PAGE 張數 1 OF 1	UNLESS OTHERWISE SPECIFIED DIMENSIONS ARE IN mm TOLERANCES ARE X ± 0.5 XX ± 0.3 XXX ± 0.2 ANGLES ± 3 DEG
DWG. 製圖	BETTY		
DATE 制表日	2011/04/21	REV. 版次	B
PART NAME 品名		RF CONNECTOR F TYPE RIGHT ANGLE TYPE	
INSULATOR: TPX NICKEL PLATED CONTACT TIN		PLATING L=33.2mm CUT ONE WAY	
WITH NUT+WASHER ROHS		PART NO. C0461-RJRCM001R	
料號		C0461-RJRCM001R	