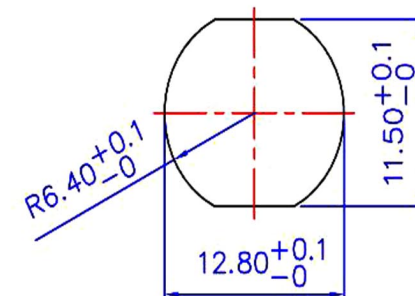
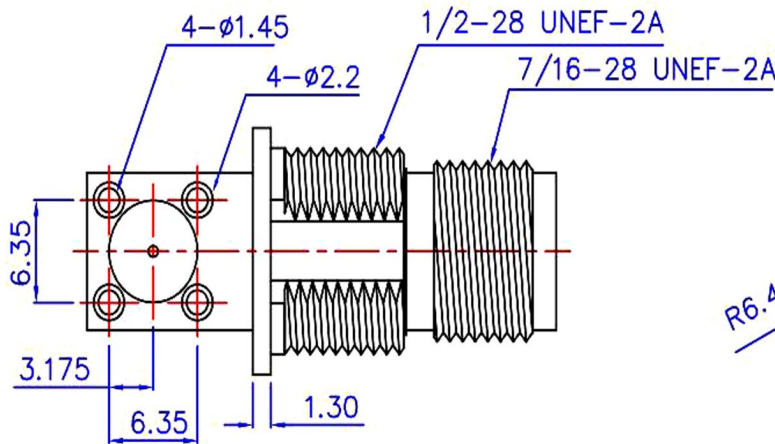


RECOMMENDED PC BOARD LAYOUT
WITHOUT MOUNTING POSTS



RECOMMENDED MOUNTING HOLE
MAXIMUM PANEL THICKNESS: 5.5MM

MATERIAL & FINISH

- ① CENTER CONTACT : PHOSPHOR BRONZE, GOLD PLATING
- ② BODY : ZINC ALLOY, NICKEL PLATING
- ③ INSULATOR : TPX
- ④ MOUNTING POST : BRASS, TIN PLATING

RoHS Compliant		HSM 玄茂科技股份有限公司 HSUAN MAO TECHNOLOGY CO., LTD.	
APPD. 核准	SCALE 比例 参考	UNLESS OTHERWISE SPECIFIED DIMENSIONS ARE IN mm TOLERANCES ARE: X. ± 0.5 X.X ± 0.3 X.XX ± 0.2 ANGLES ± 3 DEG	PART NAME 品名 TNC JACK RIGHT ANGLE 50 OHMS METAL BODY ZINC ALLOY/NICKEL PLATED W/O ACCESSORIES ROHS
DWG. 製圖 Betty	UNIT 單位 M M	SIZE. 紙張尺寸 A 4	PART NO. 料號 C0441-RJRAM000R
DATE 制表日 2015/10/01	PAGE 張數 1 OF 1	REV. 版次 B	